



# Introducing ZDC RF Coax Connector Series 50 & 75 Ohm

# ZDC RF Coax Connector Series 50 & 75 Ohm



Our commitment. Your advantage.

## KEY FEATURES

Bayonet Coupling for rapid connectivity

Threaded Coupling to provide secure termination

Multiple PCB mounting options and styles

## INTRODUCTION

The RoHS compliant ZDC Coax Connector series from Tyco Electronics offers quality cost effective solutions for commercial applications by the use of precision die-cast components, and thermoplastic dielectrics. This brochure showcases some of the popular BNC interface part numbers in a variety of styles. The ZDC line also includes parts with TNC, UHF, M-UHF, F and SMA interface.

The connector interfaces are compatible with the requirements of MIL-C-39012 and MIL STD348A, and are therefore intermateable with products manufactured to these specifications. Available in a range of cable mounted plugs and jacks, bulkhead and PCB sockets, the Tyco Electronics ZDC Coax Connector range offers a comprehensive choice of solutions for cost demanding applications. The crimp connectors utilize standard hexagonal crimp tools and die-sets avoiding costly retooling.

## DESCRIPTION

RoHS compliant coax crimp and PCB styles

Precision die-cast construction

Interface meets MIL STD348A

Available in plug, jack, socket and adaptor types

Standard hexagonal crimp hand tool and dies

Terminates to popular RG coax cables

## MECHANICAL

Operating temperature range -55°C to +85°C

Durability 50 cycles minimum

## APPLICATIONS

Instrumentation

Medical equipment

Industrial process and control

Transportation

CCTV monitoring



# ZDC RF Coax Connector Series 50 & 75 Ohm



## ELECTRICAL

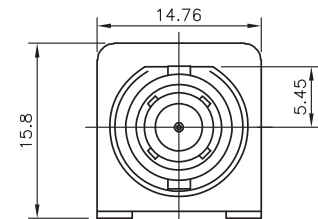
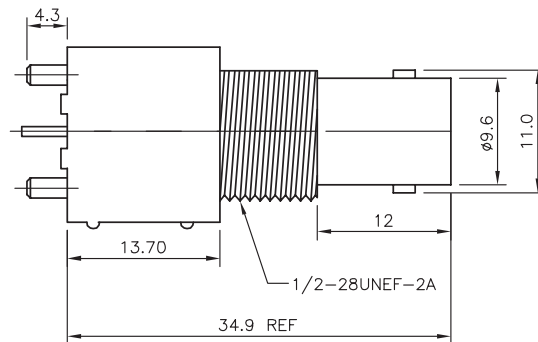
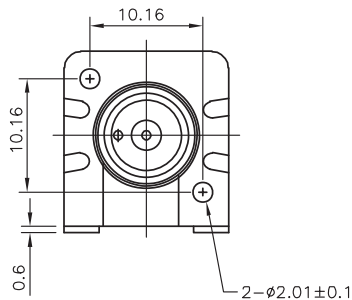


50 Ohm and 75 Ohm impedance  
DC - 4GHz frequency range

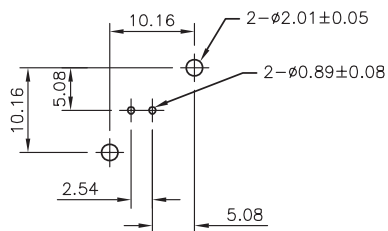


## MATERIALS

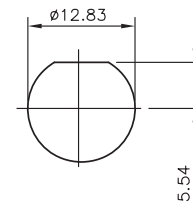
Nickel plated zinc die cast construction  
Gold plated center contact and thermoplastic dielectric



RECOMMENDED PCB LAYOUT  
WITH MOUNTING POSTS OR BOARD LOCKS



RECOMMENDED MOUNTING HOLE  
MAX PANEL THICKNESS: 5.5mm



**PRODUCT OFFERING & DIMENSIONS**

**BNC Straight Plug Crimp**

TE Part Number	Ohms	Cable Group
5-1634500-1	50	RG174
5-1634500-2	50	RG58
5-1634502-4	75	RG179
5-1634502-2	75	RG59



**BNC Straight Jack Crimp**

TE Part Number	Ohms	Cable Group
5-1634511-1	50	RG174
5-1634511-2	50	RG58
5-1634514-1	75	RG59



**BNC Bulkhead Jack Rear Mount**

TE Part Number	Ohms	Cable Group
5-1634516-1	50	RG58
5-1624516-3	75	RG179
5-1634516-5	75	RG59



**BNC Bulkhead Socket Front Mount**

TE Part Number	Ohms	Cable Group
5-1634523-1	50	-
5-1634523-2	75	-



**BNC Bulkhead Socket Rear Mount**

TE Part Number	Ohms	Cable Group
5-1634518-1	50	-
5-1634518-3	75	-



**BNC Insulated Bulkhead Socket**

TE Part Number	Ohms	Cable Group
5-1634504-1	50	-
5-1634504-2	75	-



**BNC Elbow PCB Socket - Insulated\***

TE Part Number	Ohms	Description
1-1337542-0	50	White Low Profile
1-1337543-0	50	White Std Profile
1-1634613-0	50	Black Low Profile
1-1634612-0	50	Black Std Profile
1-1478031-0	75	White Low Profile
1-1478032-0	75	White Std Profile
1-1634624-0	75	Black Low Profile
1-1634622-0	75	Black Std Profile



**BNC Elbow PCB Socket - Metal\***

TE Part Number	Ohms	Description
1-1337494-0	50	Metal Std Profile
1-1634508-0	75	Metal Std Profile



**\*BNC PCB Accessories for Noted Series**

TE Part Number	Description
1-1634817-0	Lockwasher
1-1634816-0	Hex Nut



# ZDC RF Coax Connector Series 50 & 75 Ohm

## PRODUCT OFFERING & DIMENSIONS

### BNC Straight PCB Socket - Insulated\*

TE Part Number	Ohms	Description
1-1337541-0	50	White
1-1634505-0	50	Black
1-1478033-0	75	White
1-1634629-0	75	Black



### BNC Straight PCB Socket - Metal

TE Part Number	Ohms	Description
5-1634503-1	50	Metal
5-1634503-3	75	Metal



### BNC Straight Adaptors

TE Part Number	Ohms	Description
5-1634534-1	50	Jack - Jack



### BNC T - Adaptors

TE Part Number	Ohms	Description
5-1634532-1	50	Jack - Plug - Jack



## TECHNICAL SPECIFICATIONS

Nominal Impedance	50Ω and 75Ω
Working Voltage	500Vrms
Contact Resistance	1.5mΩ max
Insulation Resistance (initial)	5000MΩ min
Dielectric Withstand Voltage	1500Vrms (sea level)
Frequency Range	0-4GHz (50Ω) 0-2GHz (75Ω)
VSWR	
DC - 2GHz	Straight 1.15 max
Durability (Cycles)	50
Temperature Range	-55°C to +85°C
Body Material	Zinc
Body Plating	Nickel
Male Contact Material	Brass
Female Contact Material	Phosphor Bronze
Contact Plating	Gold
Insulation	Delrin or Polyethylene

## TERMINATION TOOLING

Hand Tool	9-1478240-0
Die sets	9-147824X-0

For Tooling see customer drawings at [www.tycoelectronics.com](http://www.tycoelectronics.com)



# Mouser Electronics

Authorized Distributor

Click to View Pricing, Inventory, Delivery & Lifecycle Information:

[TE Connectivity:](#)

[5-1634523-1](#)