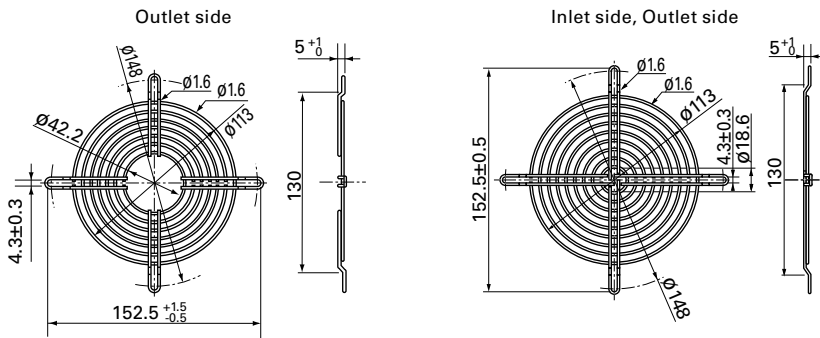


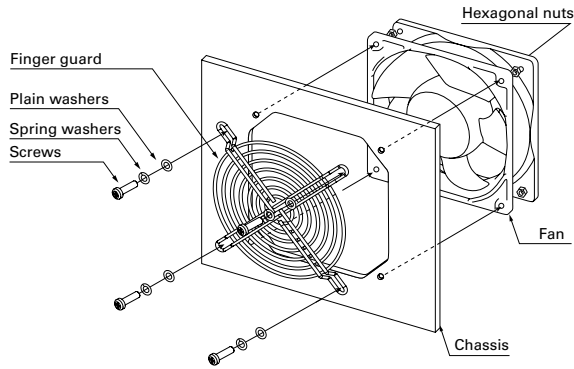
**120 mm sq. type**

Model no.	Surface treatment	Mass (g)	Model no.	Surface treatment	Mass (g)
109-019C	Nickel-chrome plating (silver)	32	109-019E	Nickel-chrome plating (silver)	42
109-019H	Cation electropainting (black)		109-019K	Cation electropainting (black)	



**Mounting example**

Axial fan



# Mouser Electronics

Authorized Distributor

Click to View Pricing, Inventory, Delivery & Lifecycle Information:

Sanyo Denki:

[109-019C](#) [109-019E](#) [109-019K](#) [109-019H](#)