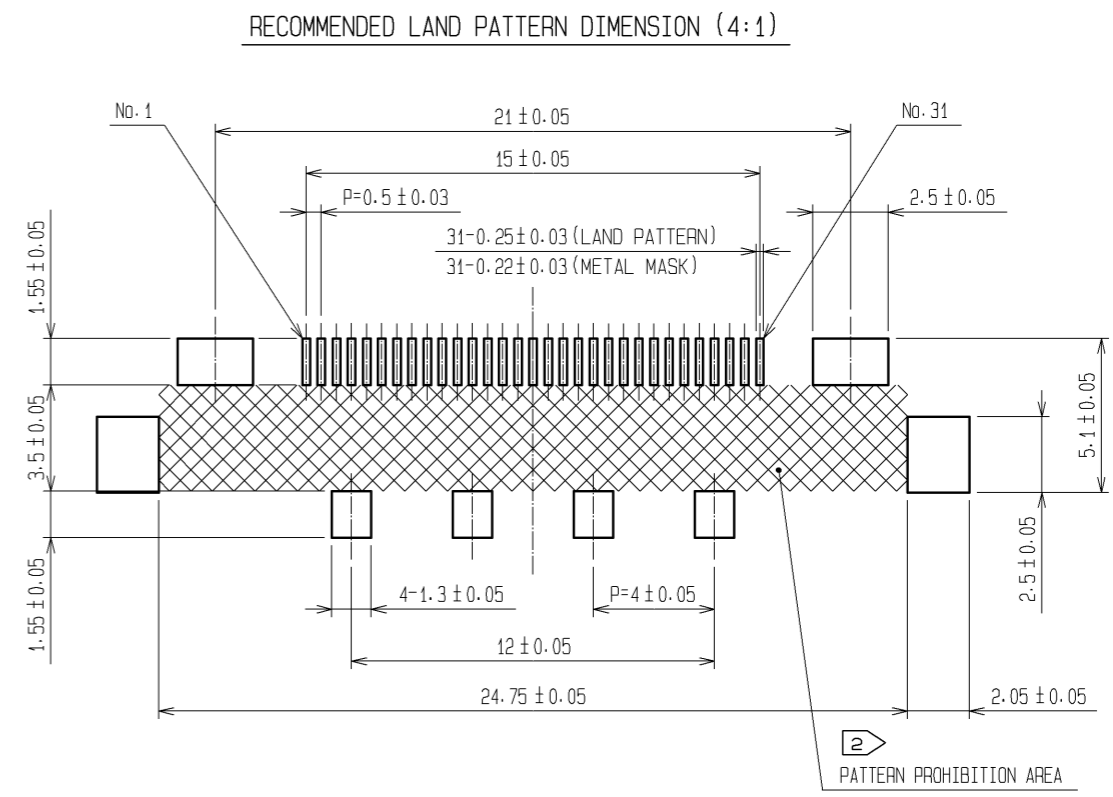
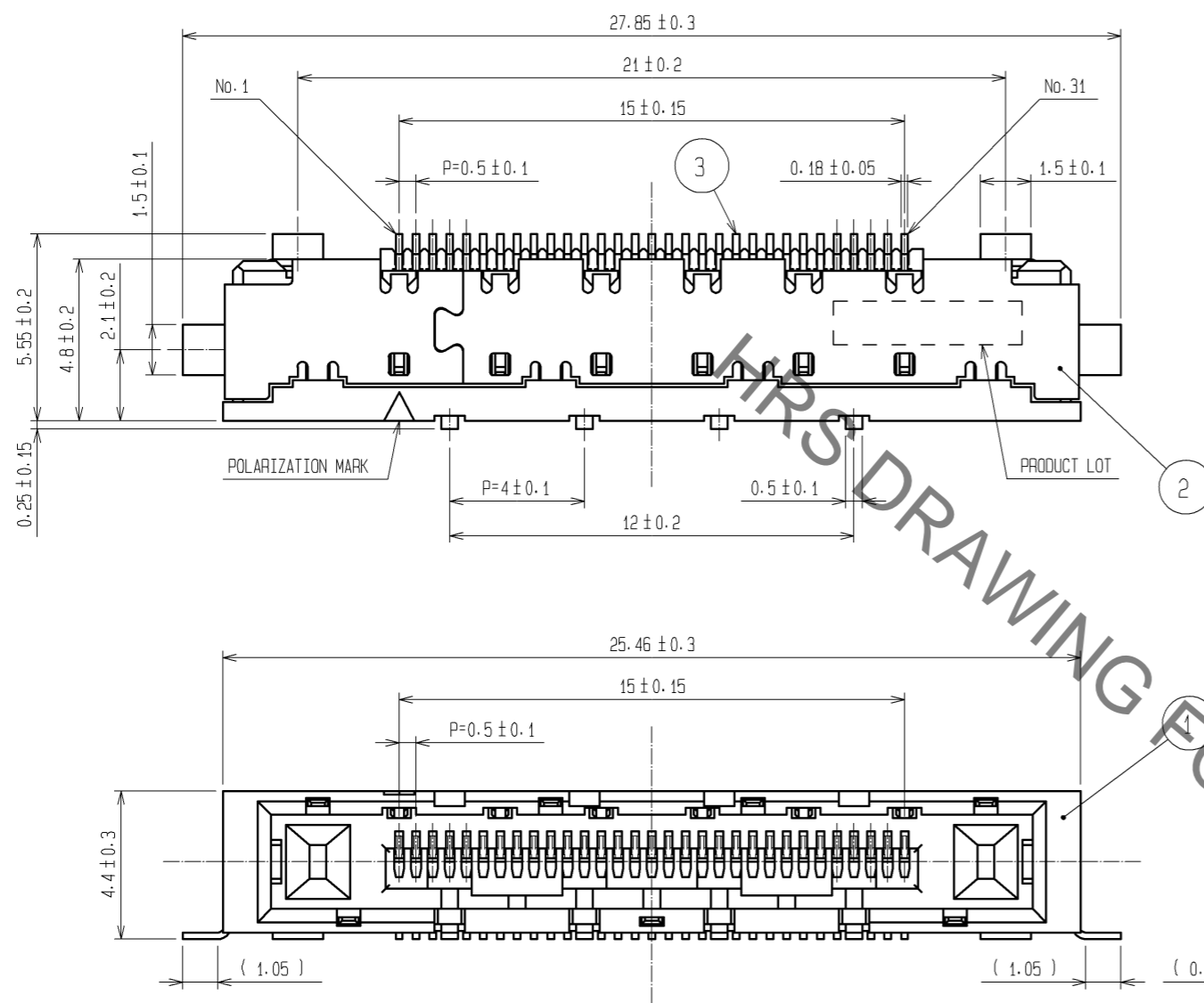


Sep.1.2020 Copyright 2020 HIROSE ELECTRIC CO., LTD. All Rights Reserved.  
In case of consideration for using Automotive equipment / device which demand high reliability, kindly contact our sales window correspondents.



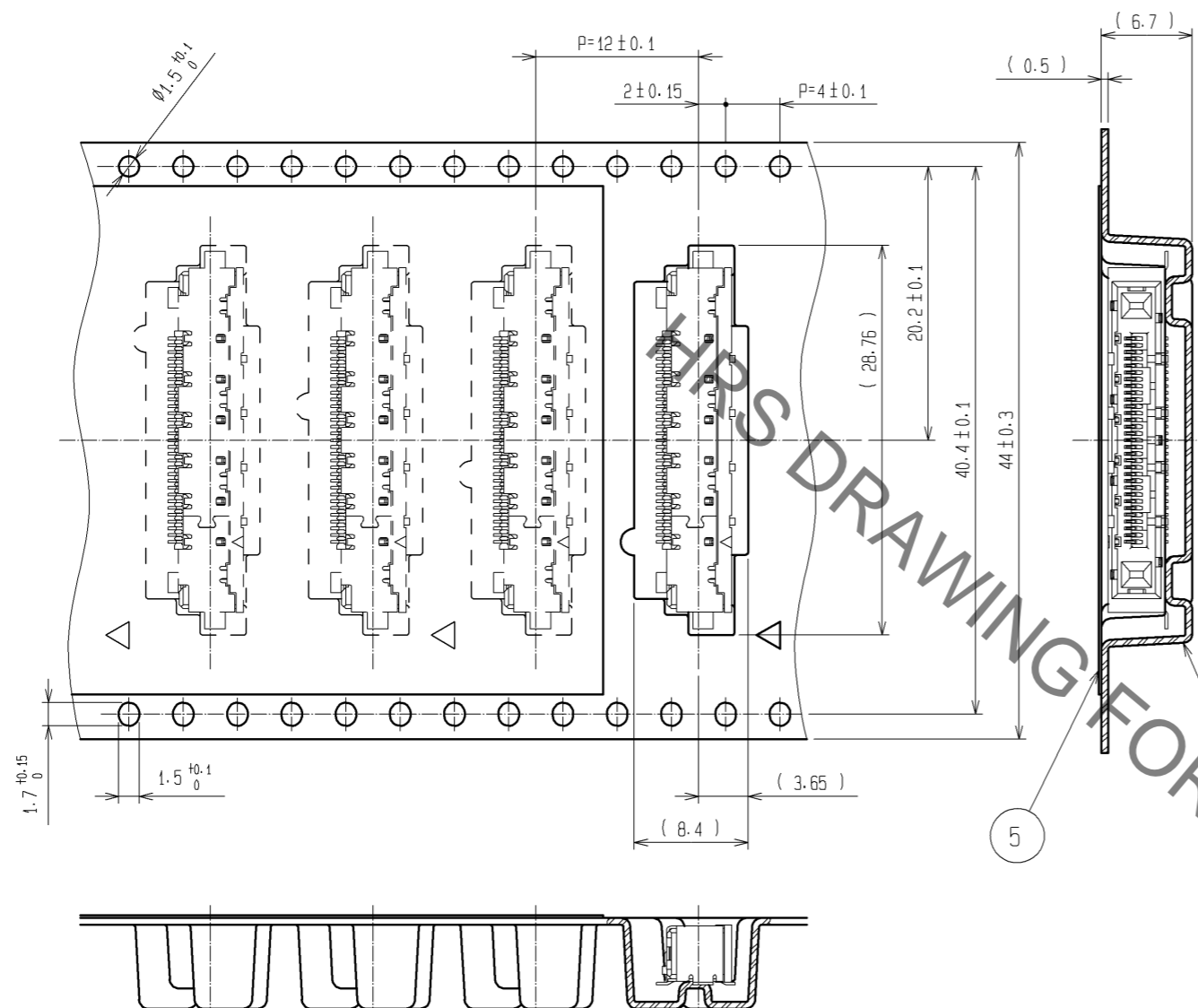
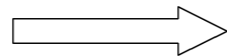
- NOTE
- 1 LEAD CO-PLANARITY OF THIS PRODUCT TO BE 0.1MAX.
  - 2 AREA OF INNER SMT LAND REQUIRES PATTERN PROHIBITION OR RESIST TREATMENT TO PREVENT THE PATTERN TOUCHING TO THE CONTACTS.
  - 3 ( ) INDICATES A REFERENCE DIMENSION.
  - 4 MANUFACTURING PROCESS COULD LEAVE SCRATCH AND/OR PUNCH MARKS HAVING NO AFFECT ON THE PRODUCT PERFORMANCE.
  - 5 PACKAGING FOR THIS PRODUCT APPLIES EMBOSSED CARRIER TAPE PACKAGING. SEE SHEET 2/2 FOR DETAILS.

2	PHOSPHOR BRONZE	OVER PLATING:TIN PLATING 1μm min UNDER PLATING:NICKEL 0.2μm min	5	PE	(COVER TAPE)
1	LCP	BLACK, UL94V-0	4	PS	(EMBOSSED CARRIER TAPE)
			3	PHOSPHOR BRONZE	CONTACT AREA:GOLD 0.1μm min LEAD AREA:GOLD 0.03μm min UNDER PLATING:NICKEL 1μm min
NO.	MATERIAL	FINISH, REMARKS	NO.	MATERIAL	FINISH, REMARKS
UNITS		SCALE	COUNT	DESCRIPTION OF REVISIONS	
mm		5 : 1	1	DESIGNED	CHECKED
				KN. SHIBUYA	HT. YAMAGUCHI
				DATE	08.03.27
				APPROVED : HS. OKAWA	08.01.24
				CHECED : HT. YAMAGUCHI	08.01.24
				DESIGNED : KN. SHIBUYA	08.01.24
				DRAWN : KN. SHIBUYA	08.01.24
<b>HRS</b> HIROSE ELECTRIC CO., LTD.			DRAWING NO.		EDC3-157340-00
			PART NO.		FX16-31S-0.5SH
			CODE NO.		CL575-3412-8-00
					1/2

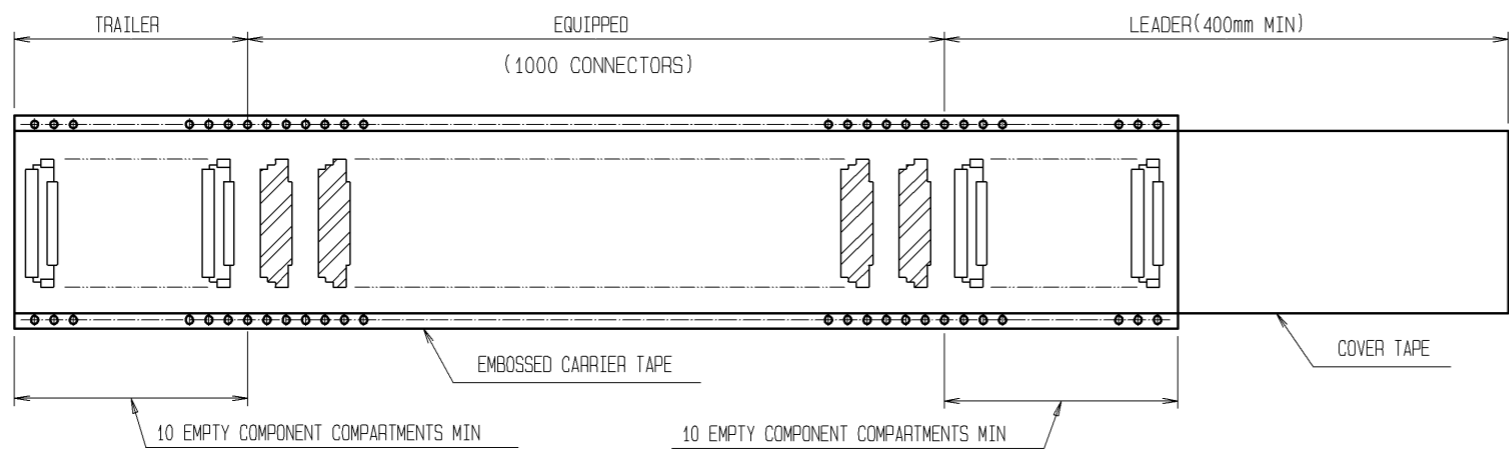
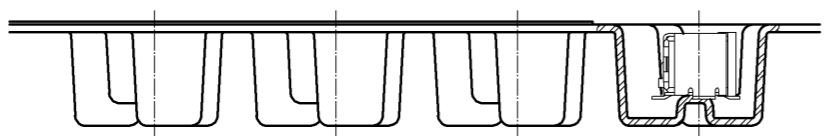
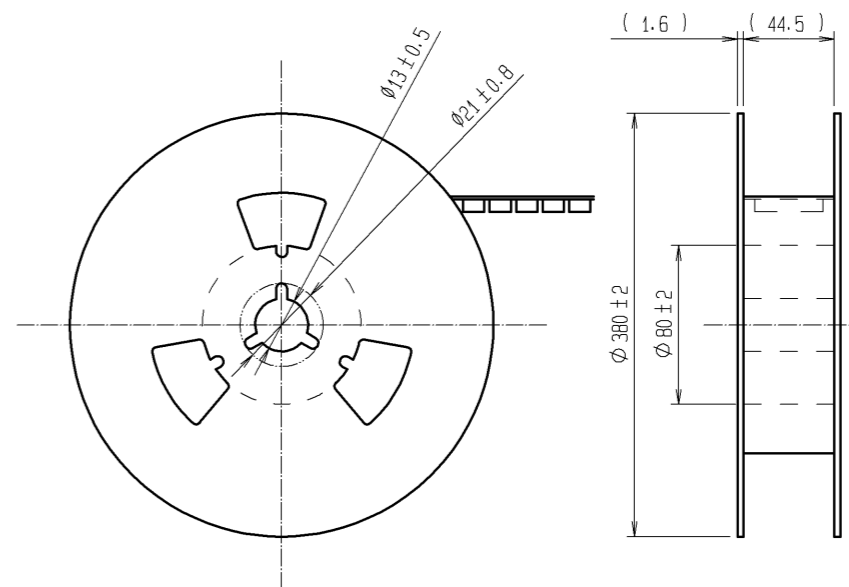
Sep.1.2020 Copyright 2020 HIROSE ELECTRIC CO., LTD. All Rights Reserved.  
 In case of consideration for using Automotive equipment / device which demand high reliability, kindly contact our sales window correspondents.

DRAWING FOR PACKING(2:1)

THE DIRECTION OF PULLING OUT



REELED DIMENSION (FREE)



XPS DRAWING FOR REFERENCE

<b>HRS</b>	DRAWING NO.	EDC3-157340-00
	PART NO.	FX16-31S-0.5SH
	CODE NO.	CL575-3412-8-00
		2/2