

PLEASE CHECK WWW.MOLEX.COM FOR LATEST PART INFORMATION

Part Number: [0639103700](#)
Status: **Active**
Overview: [Application Tooling](#)
Description: T2 Terminator Tooling Die

Documents:

[RoHS Certificate of Compliance \(PDF\)](#)

General

Product Family	Application Tooling
Series	207122
Comments	Can be installed in the TM-42 and TM-40 Press or Base Unit Adapter for 3BF Press, See Tooling Specification (PDF) Above
Function	Crimp
Geographic Area	Global
Level of Automation	Semi-Automatic
More Detailed Tech Information	applicationtooling@molex.com
Overview	Application Tooling
Product Name	T2
Tool Type	Terminator Die
UPC	800756937762
Warranty Disclaimer	CAUTION: Molex tooling crimp specifications are valid only when used with Molex terminals and tooling manufactured by Molex and sold by Molex or authorized distributors ("Molex Tooling"). When using tooling other than Molex Tooling with Molex specific connector systems listed in our ATS documents, the Molex tooling qualification does not apply and the responsibility for full qualification of the connector system is that of the customer. Molex accepts no liability for connector performance or tooling support where tooling other than Molex Tooling is used or where Molex Tooling is modified.

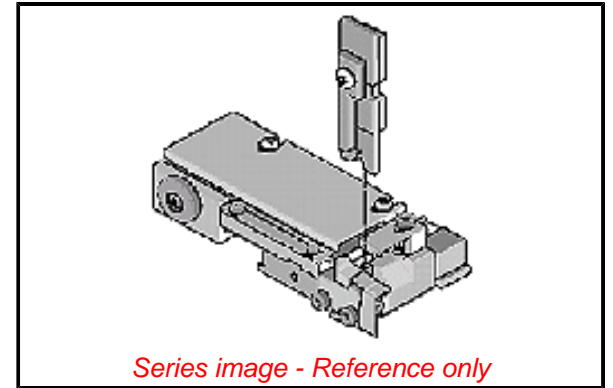
Physical

Net Weight 849.669/g

Material Info

Reference - Drawing Numbers

Application Tooling Documents
ATS-639103700, TM-638000029-001,
TM-638000029CN-001, TM-638000029DE-001,
TM-638000029FR-001, TM-638000029IT-001,
TM-638000029JP-001, TM-638000029KR-001,
TM-638000029MY-001, TM-638000029PL-001,
TM-638000029RU-001, TM-638000029SK-001,
TM-638000029SP-001, TM-638000029TH-001,
TM-638000029TW-001, TM-638000029VN-001,
TM-638500090, TM-638500090SP



EU ELV

Not Relevant

EU RoHS

Compliant

REACH SVHC

Not Reviewed

Halogen-Free

Status

Not Relevant

For more information, please visit [Contact US](#)

China ROHS

Not Relevant

ELV

Not Relevant

RoHS Phthalates

Not Reviewed

Search Parts in this Series

[207122 Series](#)

Use With

Molex TM-42 Press, [69002-5001](#) ,
[69002-5000](#) , and Base Unit, [11-19-3001](#) for
the 3BF Press

Mouser Electronics

Authorized Distributor

Click to View Pricing, Inventory, Delivery & Lifecycle Information:

[Molex:](#)

[63910-3700](#)