

LOC	DIST	REVISIONS					
DW	-	P	LTR	DESCRIPTION	DATE	DWN	APVD
		D2		ECR-14-017616, ADD NEW PART NUMBER	25NOV14	S.C.	H.L.

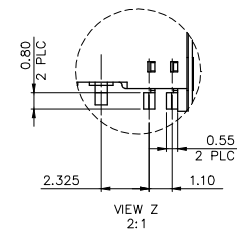
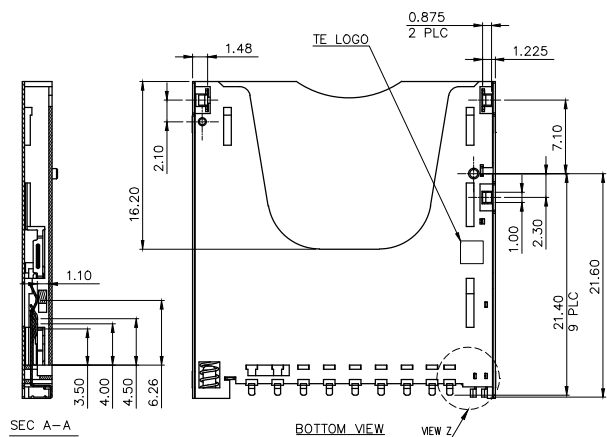
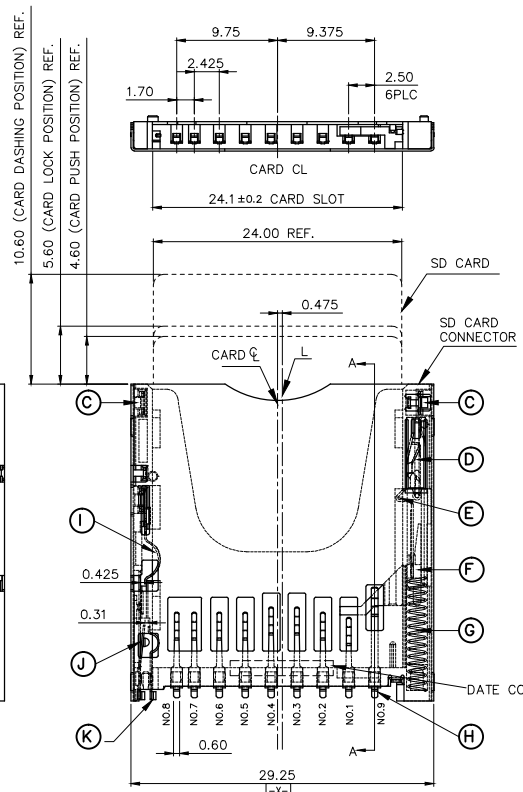
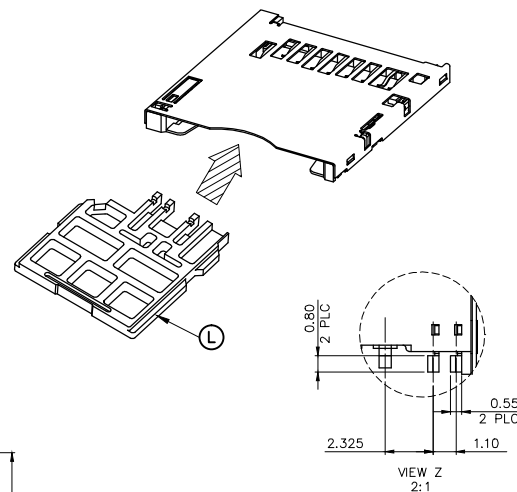
NOTES:

1.

ITEM	PARTS NAME	MATERIAL	FINISH/REMARK
A	HOUSING	TERMOPLASTIC HIGH TEMP	UL94 V-0, BLACK
B	SHELL	STAINLESS	NON-PLATING
C	HOLDDOWN CONTACT	PHOSHPOR BRONZE	100µ" MIN. MATTE-TIN PLATING ON SOLDER TAIL AREA 50µ" MIN. NICKEL UPDERPLATING OVERALL
D	CAM PIN	STAINLESS	NON-PLATING
E	CARD LOCK	PHOSHPOR BRONZE	100µ" MIN. MATTE-TIN PLATING 50µ" MIN. NICKEL UPDERPLATING OVERALL
F	SLIDER CAM	TERMOPLASTIC HIGH TEMP	UL94 V-0, BLACK
G	SPRING	SWP	50µ" MIN. NICKEL UPDERPLATING OVERALL
H	CONTACT-SD	PHOSHPOR BRONZE	GOLD (SEE TABLE) PLATING ON CONTACT AREA 100µ" MIN. MATTE-TIN PLATING ON SOLDER TAILS 50µ" MIN. NICKEL UPDERPLATING OVERALL
I	PROTECT CONTACT		
J	PROTECT CONTACT AND DETECT CONTACT-SWITCH		
K	DETECT CONTACT		
L	FAKE CARD	LCP	BLACK

- 3. APPLIED TO IR SOLDERING PROCESS
- 4. NET WEIGHT: 10 GRAMS.
- 5. OTHERS:
 - 5.1 WHEN DELIVERING, THE PSH/PUSH MECHANISM IS IN THE STATE OF THE UNLOCK. (CARD DASHING OUT POSITION)
 - 5.2 CARD READ ONLY BY THE TIME THE CARD DETECTION SWITCH WORKS.
 - 5.3 OPEN AND CLOSE OF EACH SWITCH.

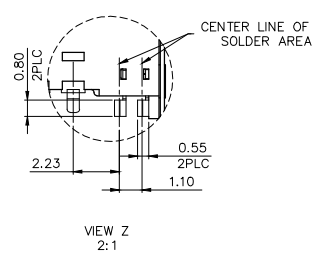
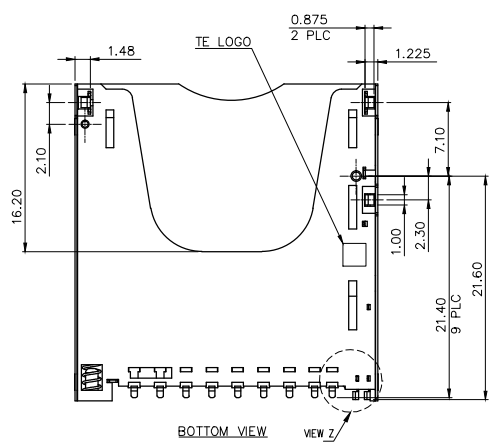
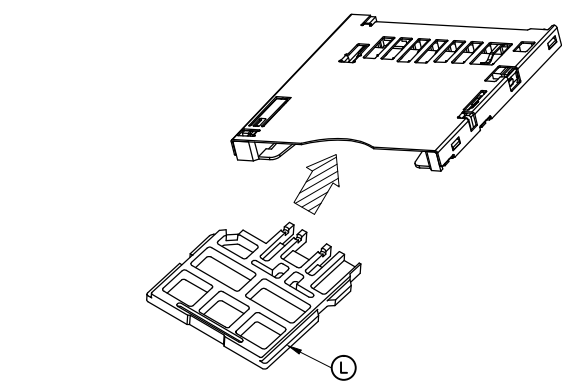
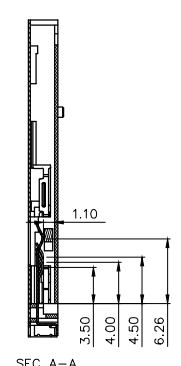
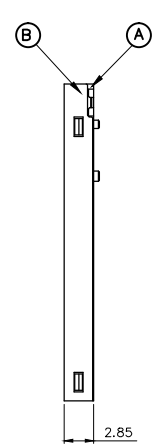
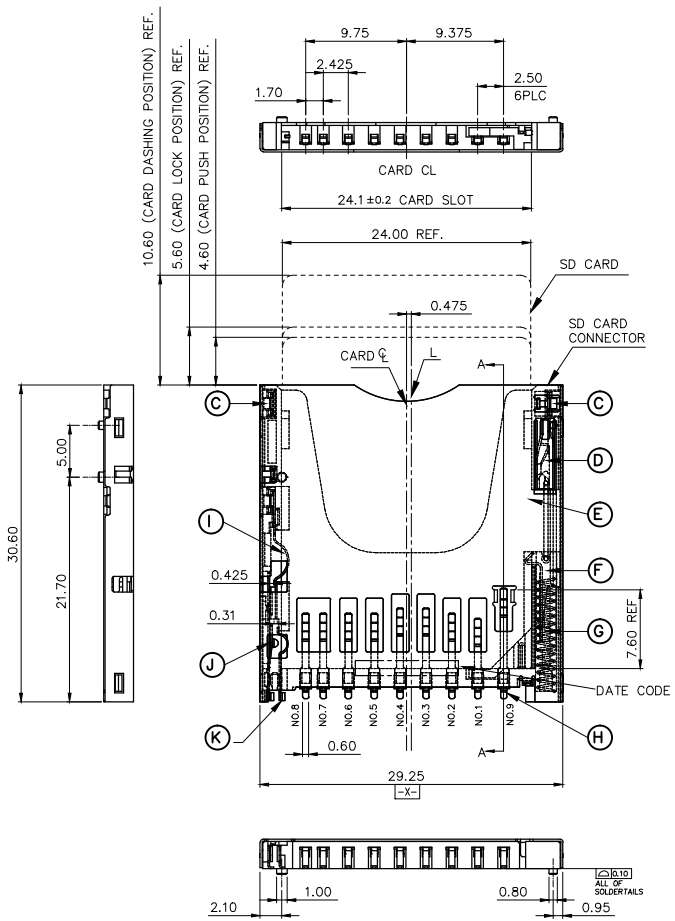
CARD INSERTION STATUS	WRITE PROTECT SWITCH		DETECT SWITCH
	WRITE PROTECT POSITION	WRITE ENABLE POSITION	
CARD UNINSERTION	OPEN	OPEN	OPEN
CARD HALF INSERTION	COLSE	COLSE	OPEN
CARD INSERTION	OPEN	COLSE	COLSE



0.762µm [30µ"]	1-1775059-1
0.127µm [5µ"]	1775059-1
MIN. GOLD THICKNESS	PART NUMBER

THIS DRAWING IS A CONTROLLED DOCUMENT.		DWN A. WU 21AUG2006	TE Connectivity	
DIMENSIONS: MM		CHK S. HOU 21AUG2006		
TOLERANCES UNLESS OTHERWISE SPECIFIED:		APVD W.J. KE 21AUG2006	NAME SD CARD CONNECTOR, REVERSE TYPE, PUSH-PUSH	
0 PLC ± - 1 PLC ± 0.3 2 PLC ± 0.2 3 PLC ± 0.2 4 PLC ± 0.2 ANGLES ± 3°		PRODUCT SPEC 108-57504	SIZE A3	
MATERIAL SEE NOTE		APPLICATION SPEC -	CAGE CODE 00779	DRAWING NO C=1775059
FINISH SEE NOTE		WEIGHT SEE NOTE	RESTRICTED TO -	
CUSTOMER DRAWING			SCALE -	SHEET 1 OF 6
				REV D2

LOC	DIST	REVISIONS			
P	LTR	DESCRIPTION	DATE	DWN	APVD
DW	-	SEE SHEET 1.	-	-	-



NOTE :
 1. FOOL-PROOF OF CARD INSERTION 180 DEGREE
 2. OTHERS ARE SAME AS PAGE 1 NOTE

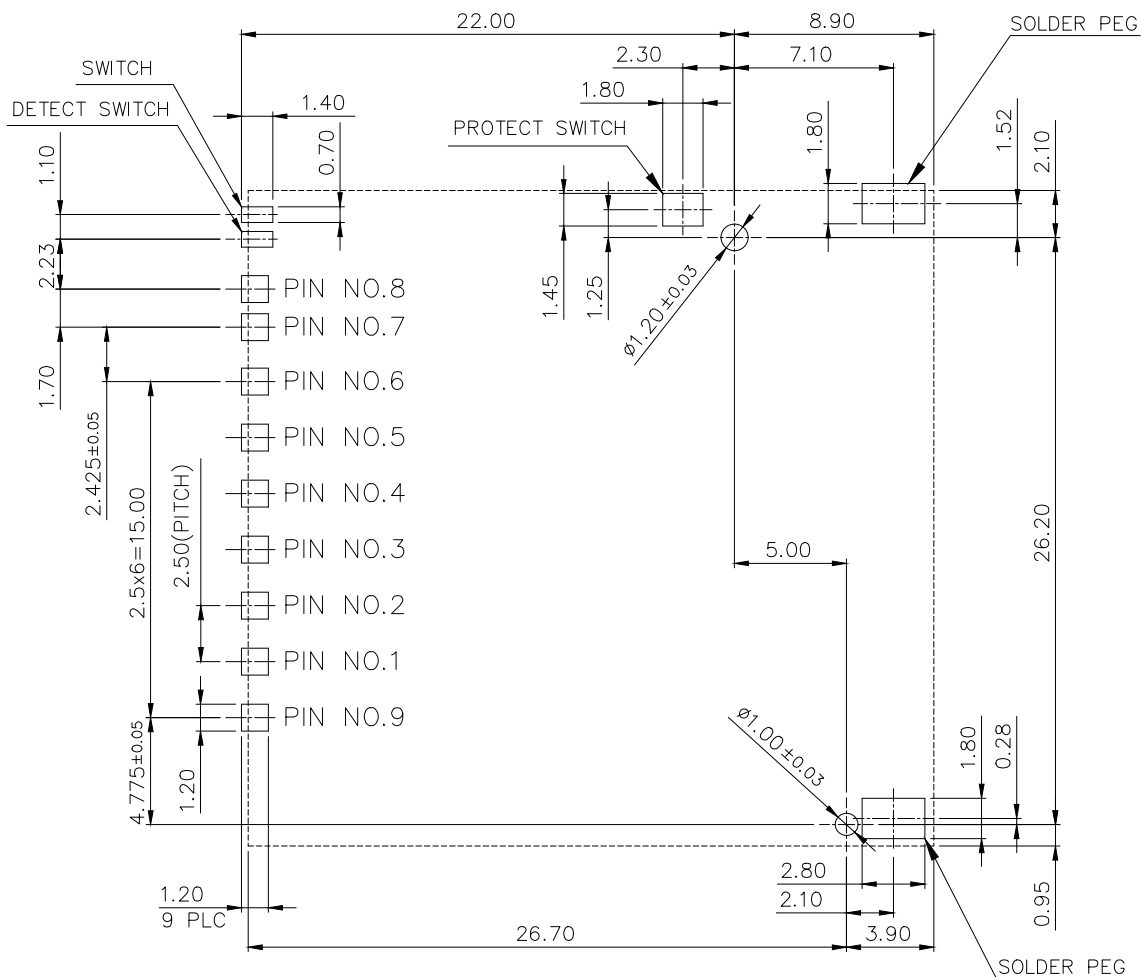
0.762µm [30µm]	2-1775059-2
MIN. GOLD THICKNESS	PART NUMBER

THIS DRAWING IS A CONTROLLED DOCUMENT.		DWN	-		
DIMENSIONS: MM		CHK	-		
TOLERANCES UNLESS OTHERWISE SPECIFIED:		APVD	-		
0 PLC ± -		PRODUCT SPEC	-		
1 PLC ± 0.3		APPLICATION SPEC	-		
2 PLC ± 0.2		WEIGHT	SEE NOTE		
3 PLC ± 0.2		CUSTOMER DRAWING	-		
4 PLC ± -		SIZE	A3	CAGE CODE	00779
ANGLES ± 3°		DRAWING NO	C=1775059		
MATERIAL	FINISH	RESTRICTED TO	-		
SEE NOTE	SEE NOTE	SCALE	-		
		SHEET	3 of 6		REV D2



SD CARD CONNECTOR, REVERSE TYPE, PUSH-PUSH

LOC DW	DIST	REVISIONS		
P	LTR	DESCRIPTION	DATE	DWN APVD
		SEE SHEET 1.		



(FOR P/N: 1775059-1 & 1-1775059-1
& 2-1775059-2)

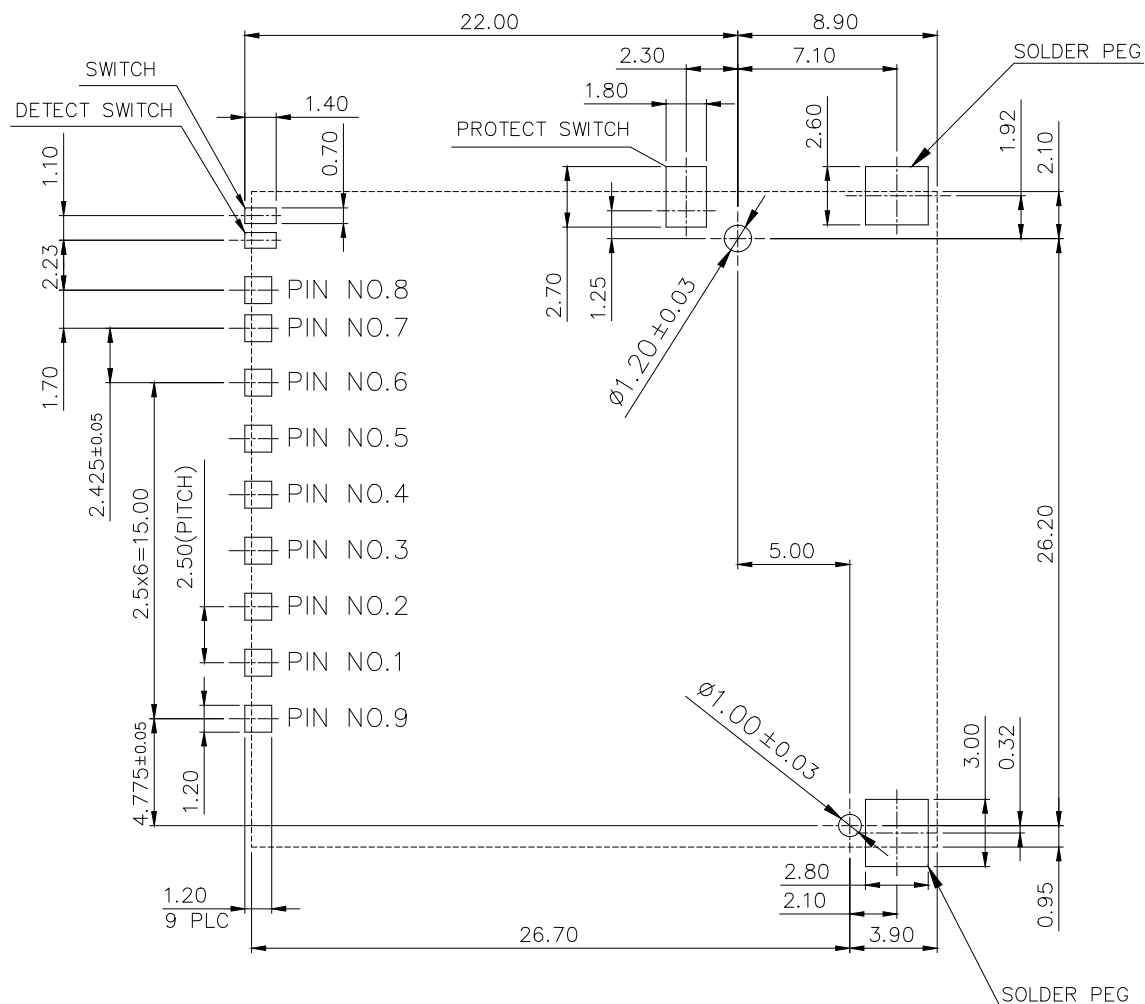
PIN DEFINE

PAD NO.	MEMORY CARD
SD-01	SD-CD/DAT3(SD-01)
SD-02	SD-CMD(SD-02)
SD-03	SD-VSS(SD-03)
SD-04	SD-VDD(SD-04)
SD-05	SD-CLK(SD-05)
SD-06	SD-VSS(SD-06)
SD-07	SD-DAT0(SD-07)
SD-08	SD-DAT1(SD-08)
SD-09	SD-DAT2(SD-09)

RECOMMENDED PCB LAYOUT
 PCB TOLERANCE: ±0.05

THIS DRAWING IS A CONTROLLED DOCUMENT.		DWN	TE Connectivity			
DIMENSIONS: MM		CHK				
TOLERANCES UNLESS OTHERWISE SPECIFIED:		APVD	NAME			
0 PLC ± - 1 PLC ± - 2 PLC ± - 3 PLC ± - 4 PLC ± - ANGLES ± -		PRODUCT SPEC	SD CARD CONNECTOR, REVERSE TYPE, PUSH-PUSH			
MATERIAL		APPLICATION SPEC	SIZE	CAGE CODE	DRAWING NO	RESTRICTED TO
FINISH		WEIGHT	A3	00779	C=1775059	-
CUSTOMER DRAWING			SCALE	SHEET	4 of 6	REV D2

LOC	DIST	REVISIONS			
P	LTR	DESCRIPTION	DATE	DWN	APVD
		SEE SHEET 1.			



(FOR P/N 1775059-2)

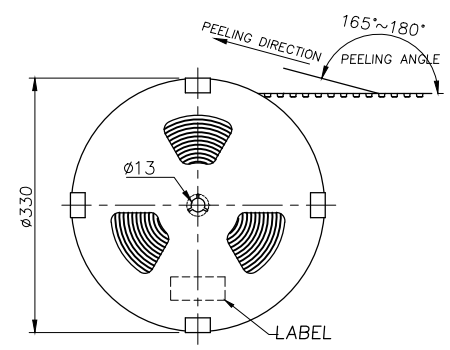
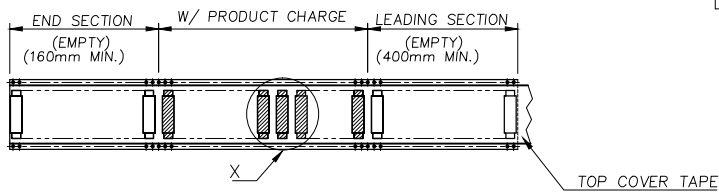
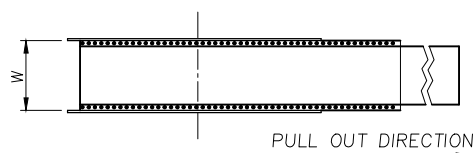
PIN DEFINE

PAD NO.	MEMORY CARD
SD-01	SD-CD/DAT3(SD-01)
SD-02	SD-CMD(SD-02)
SD-03	SD-VSS(SD-03)
SD-04	SD-VDD(SD-04)
SD-05	SD-CLK(SD-05)
SD-06	SD-VSS(SD-06)
SD-07	SD-DAT0(SD-07)
SD-08	SD-DAT1(SD-08)
SD-09	SD-DAT2(SD-09)

RECOMMENDED PCB LAYOUT
 PCB TOLERANCE: ± 0.05

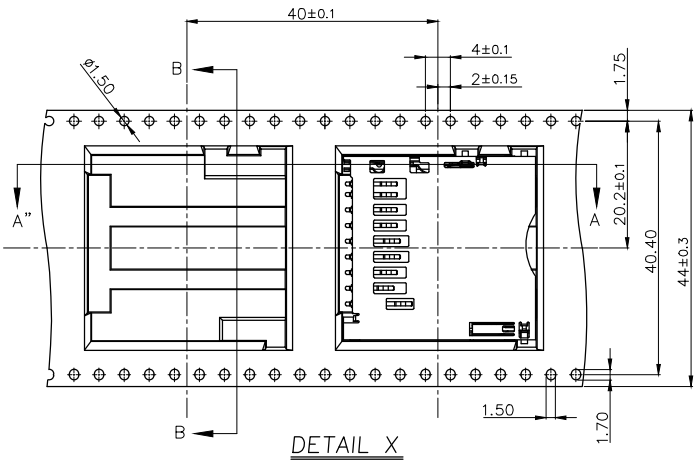
THIS DRAWING IS A CONTROLLED DOCUMENT.		DWN	TE Connectivity	
DIMENSIONS: MM		CHK		
		APVD	NAME	
TOLERANCES UNLESS OTHERWISE SPECIFIED:		PRODUCT SPEC	SD CARD CONNECTOR, REVERSE TYPE, PUSH-PUSH	
0 PLC $\pm -$ 1 PLC $\pm -$ 2 PLC $\pm -$ 3 PLC $\pm -$ 4 PLC $\pm -$ ANGLES $\pm -$		APPLICATION SPEC	SIZE	RESTRICTED TO
MATERIAL		WEIGHT	A300779	
FINISH		CUSTOMER DRAWING	C=1775059	
		SCALE	SHEET 5 of 6	REV D2

LOC		DIST		REVISIONS			
P	LTR	DESCRIPTION		DATE	DWN	APVD	
		SEE SHEET 1.					

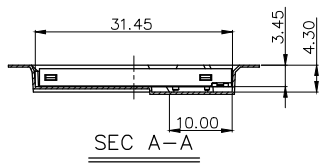
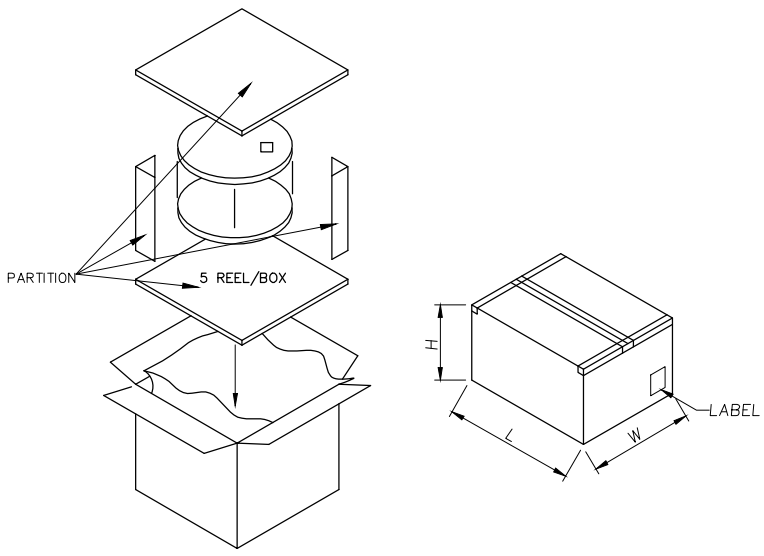
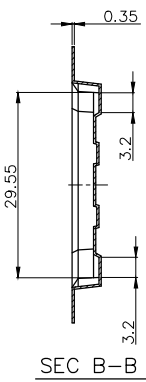


- NOTES:
- MATERIAL:
 - EMBOSSED CARRIER: PS.
 - COVER TAPE: PS.
 - SHIPPING BOX: CORRUGATED FIBER.
 - DIMENSION:
 - REEL: W= 44.5
 - SHIPPING BOX: L=350, W=350, H=300.
 - QUANTITY:
 - PRIMARY PACKING: 350 PCS/REEL.
 - SECONDARY PACKING: 5 REELS/BOX (1,750 PCS).
 - WEIGHT:
 - NET WEIGHT: 1.1 KG/REEL, 5.54 KG/BOX.
 - GROSS WEIGHT: 1.81 KG/REEL, 9.79 KG/BOX.
 - PEELING RESISTANCE: 40 ~ 60 gf.
 - PEELING SPEED: 300 mm/minutes.

USER DIRECTION OF UNREELING →



DETAIL X



THIS DRAWING IS A CONTROLLED DOCUMENT.		DWN	TE Connectivity			
DIMENSIONS: MM		CHK				
TOLERANCES UNLESS OTHERWISE SPECIFIED:		APVD	NAME			
0 PLC ± - 1 PLC ± - 2 PLC ± - 3 PLC ± - 4 PLC ± - ANGLES ± -		PRODUCT SPEC	SD CARD CONNECTOR, REVERSE TYPE, PUSH-PUSH			
MATERIAL		APPLICATION SPEC	SIZE	CAGE CODE	DRAWING NO	RESTRICTED TO
FINISH		WEIGHT	A3	00779	C=1775059	-
CUSTOMER DRAWING			SCALE	SHEET	6 OF 6	REV D2

Mouser Electronics

Authorized Distributor

Click to View Pricing, Inventory, Delivery & Lifecycle Information:

[TE Connectivity:](#)

[1775059-1](#)