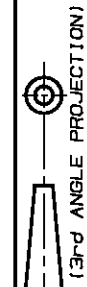


CONFIDENTIAL INFORMATION

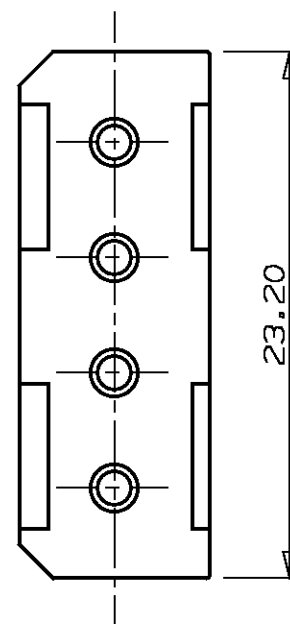
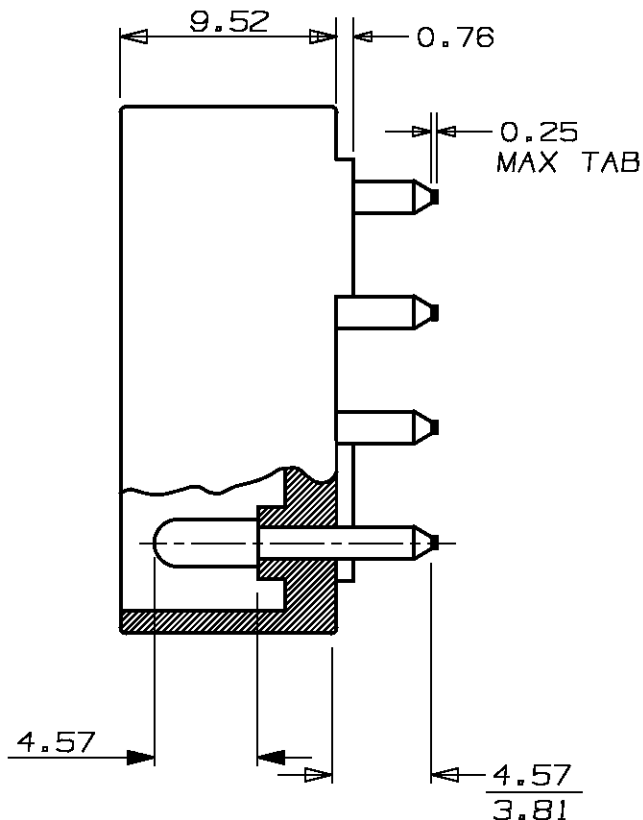
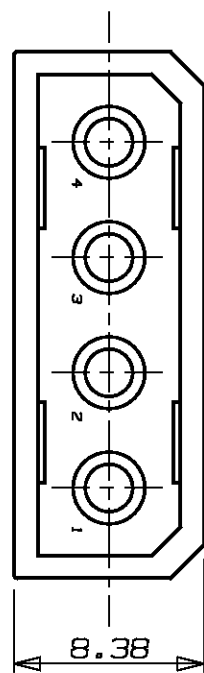
PRINT DIST

DIMENSIONS IN MM. DO NOT SCALE PRINT

METRIC

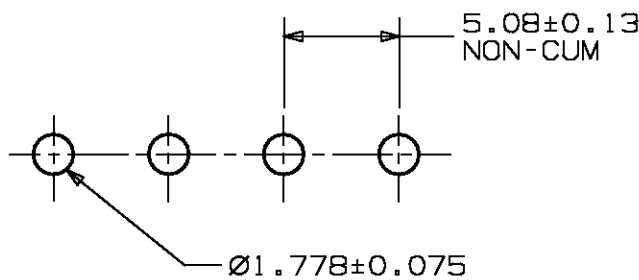


NUMBER
174520



NOTES

- 1 PARTS COMPLY WITH AMP SOLDERABILITY SPEC 109-11-3
- 2 CONTACT IS PLATED OVER ALL WITH 0.0013 NICKEL. THEN 0.00075 GOLD OVER CONTACT LENGTH INDICATED AND MATTE TIN ON SOLDER TAIL END.
- 3 PIN RETENTION IN HOUSING 6 LBS. MIN
- 4 OBSOLETE PARTS: OBSOLETE CIS STREAMLINING PER D.RENAUD/D.SINISI



RECOMMENDED PCB LAYOUT FOR 1.55mm THK PCB

PIN # OMITTED	QTY	FINISH	MATERIAL	QTY	COLOUR	MAT'L	PART NO.
4 OBSOLETE	2	PRE-TIN	CU ALLOY	1	NATURAL	NYLON	2-174520-2
	4	PRE-TIN	CU ALLOY	1	RED	NYLON	2-174520-1
	4	PRE-TIN	CU ALLOY	1	BROWN	NYLON	1-174520-1
	4	TIN LEAD	CU ALLOY	1	NATURAL	NYLON	174520-3
	4	2	CU ALLOY	1	NATURAL	NYLON	174520-2
	4	PRE-TIN	CU ALLOY	1	NATURAL	NYLON	174520-1
			PIN 4	HOUSING		ASSEMBLY	

				Copyright ©1990		Copyright ©1990 AMP MANUFACTURING SINGAPORE PTE. LTD. ALL RIGHTS RESERVED.		AMP		AMP MANUFACTURING SINGAPORE PTE. LTD.	
		(WIRE RANGE)		(INSULATION DIA.)		(NAME)					
		mm ² (AWG -)		mm ϕ		HEADER ASSY, 4 CIRCUIT COMMERCIAL MATE-N-LOK					
C1 REVISED PER ECO-09-022424		KK		03/09/09							
c REVISED FP00-0203-96		LMY	TAP	35EP98							
B ECR 056/90 (REDRAWN)		EMILY	SALLY	20/10/90	DR. 30/10/90 EMILY			DE. YS KOH			
LTR (REVISION RECORD)		DR	CHK	DATE	CHK. SALLY			APP. D.MARTIN			
							(GENERAL TOLERANCE) 0 - 30 ± 0.38	SIZE A3	LOC DY	(No.) 174520	
							(SCALE) 3:1	REV. C1	SHEET 1 OF 1		

CUSTOMER DRAWING

Mouser Electronics

Authorized Distributor

Click to View Pricing, Inventory, Delivery & Lifecycle Information:

[TE Connectivity:](#)

[174520-1](#)