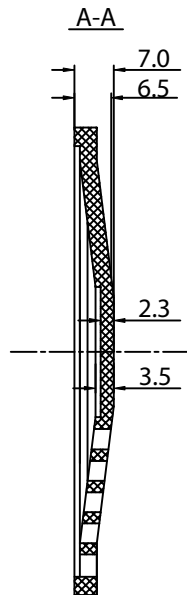
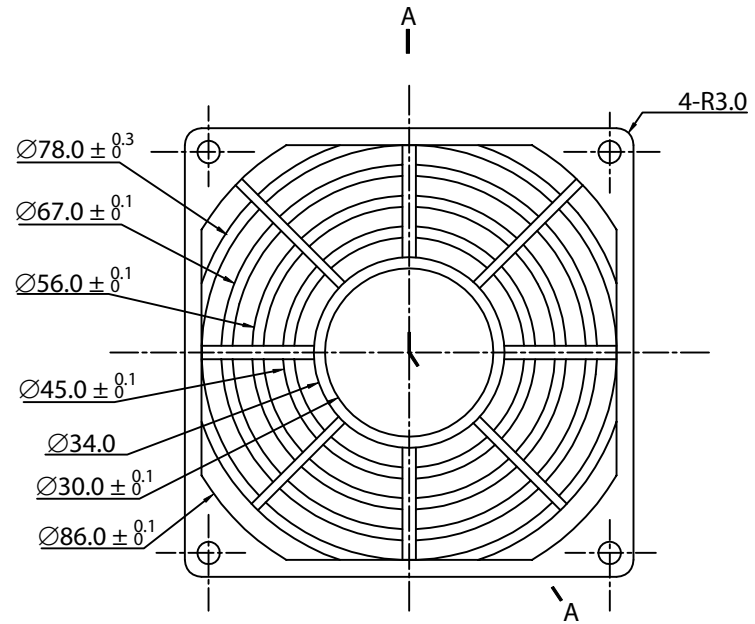
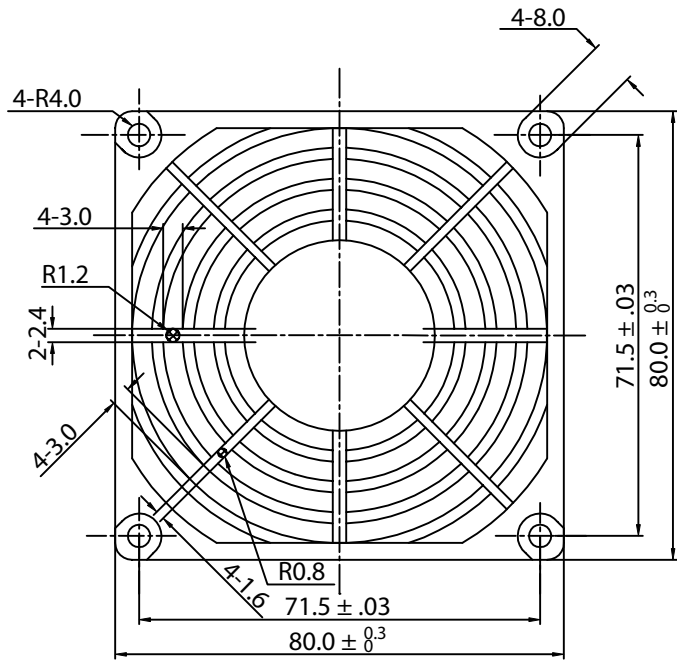


		Revision	
Rev.	Description	Date	Approved



Dim range (mm)	Tolerance +/- (mm)	Qualtek Electronics Corp. FAN-S DIVISION		
0-1	0.15	Part Number: 09081-G		RoHS Compliant
1-6	0.20	Description: PLASTIC FAN GUARD		
6-18	0.30	PBT UL 94 VO		
18-50	0.50	Drawn / Date	Checked / Date	Approved / Date
50-120	0.70	B. Grubb 11-29-06	11-29-06	JJH / 11-29-06
120-250	0.90			
250-500	1.20			

Mouser Electronics

Authorized Distributor

Click to View Pricing, Inventory, Delivery & Lifecycle Information:

[Qualtek:](#)

[09081-G](#)