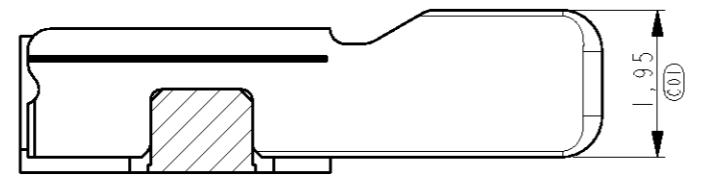
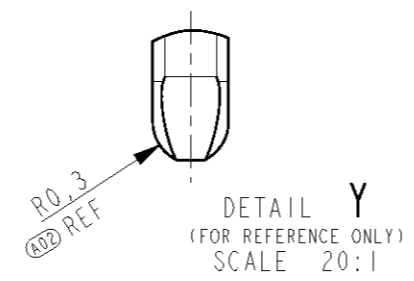


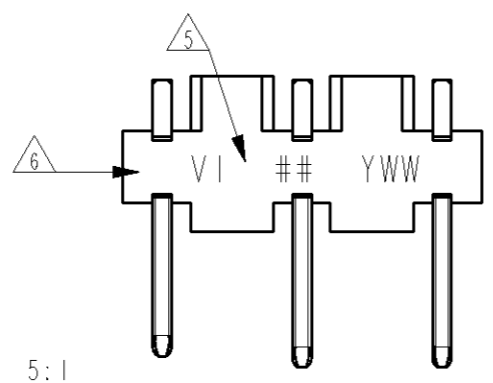
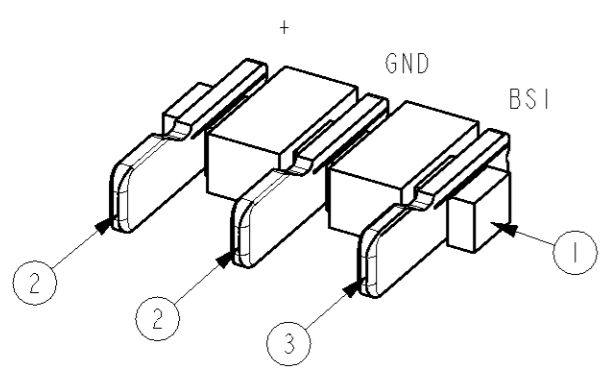
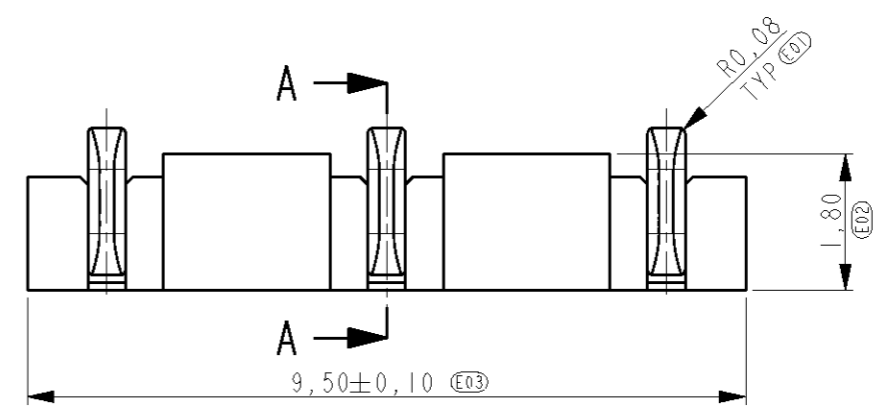
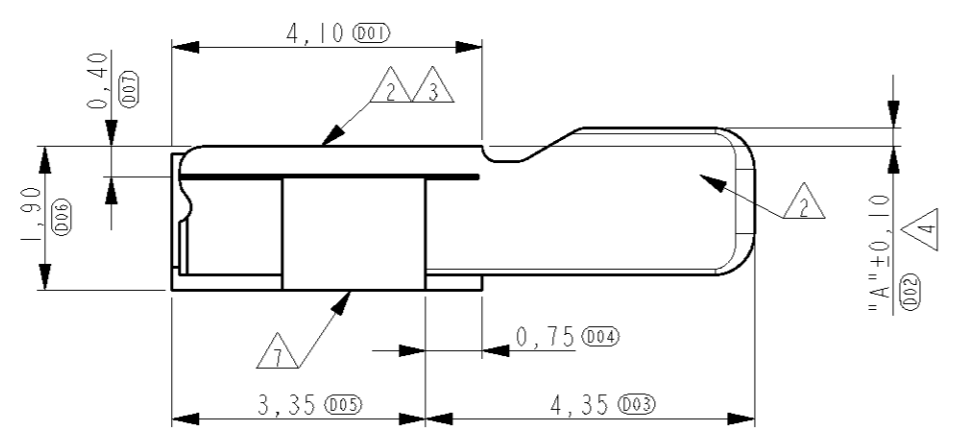
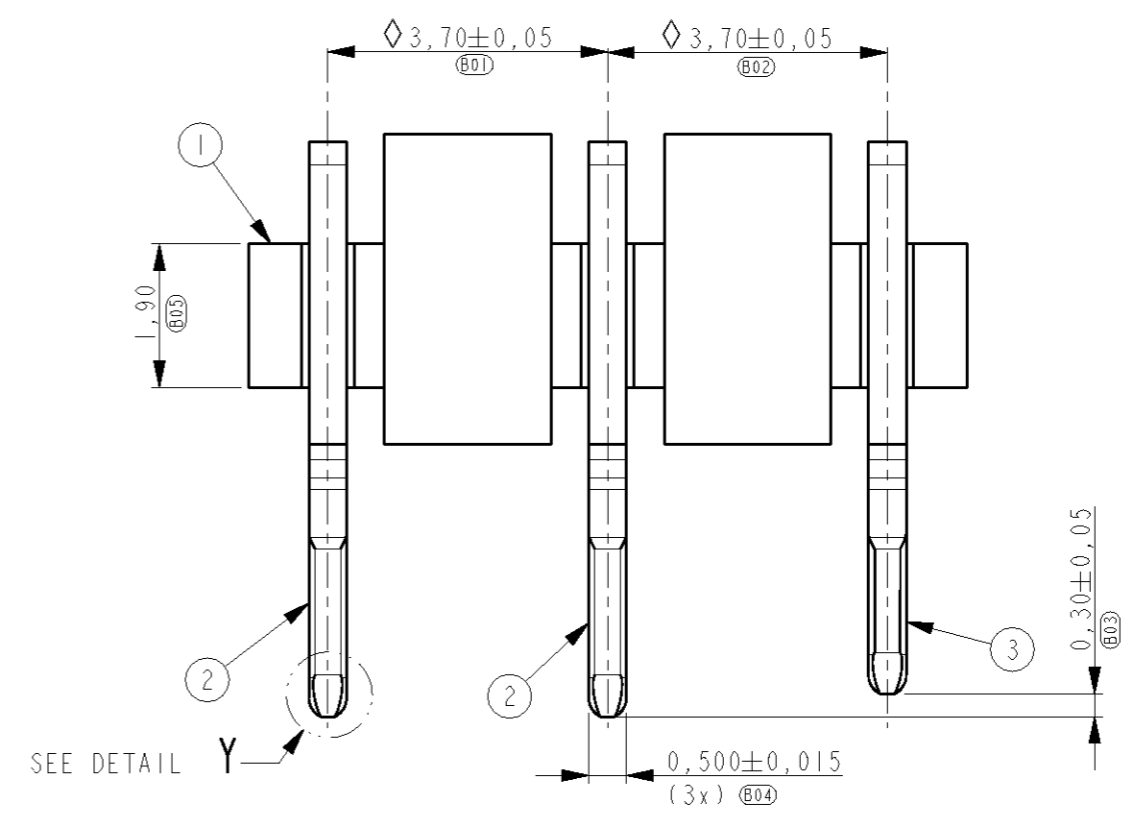
THIS DRAWING IS UNPUBLISHED. RELEASED FOR PUBLICATION
 © COPYRIGHT - BY - ALL RIGHTS RESERVED.

| LOC | DIST | REVISIONS | | | | | |
|-----|------|-----------|-----|---------------|-----------|-----|------|
| | | P | LTR | DESCRIPTION | DATE | DWN | APVD |
| H | - | | A | ECR-11-008319 | 20APR2011 | PW | DH |

- NOTES:
- 1 DRAWING REPRESENTS PART VERSION "VI".
 - 2 PLATING:
 1,2µm MIN. NICKEL ALL OVER
 0,8µm MIN. GOLD ON CONTACT AREA
 0,1 - 0,3µm GOLD ON SOLDER AREA
 - 3 COPLANARITY OF SOLDER SURFACES 0,08 MAX.
 - 4 DIMENSION DEPENDS ON DISTANCE BETWEEN PWB AND BATTERY, SEE TABLE ON SHEET 3.
 - 5 MARKING: VERSION (VI), PROCESS ID (##), PRODUCTION DATE (YWW, YEAR AND WEEK).
 - 6 MARKING: CAVITY ID.
 - 7 PICK&PLACE AREA.



SECTION A-A



SCALE 5:1

| ITEM NO. | DESCRIPTION | MATERIAL | FINISH |
|----------|----------------------|--------------|-------------|
| 3 | CONTACT, FIRST BREAK | COPPER ALLOY | GOLD PLATED |
| 2 | CONTACT, LAST BREAK | COPPER ALLOY | GOLD PLATED |
| 1 | HOUSING | PLASTIC, GF | - |

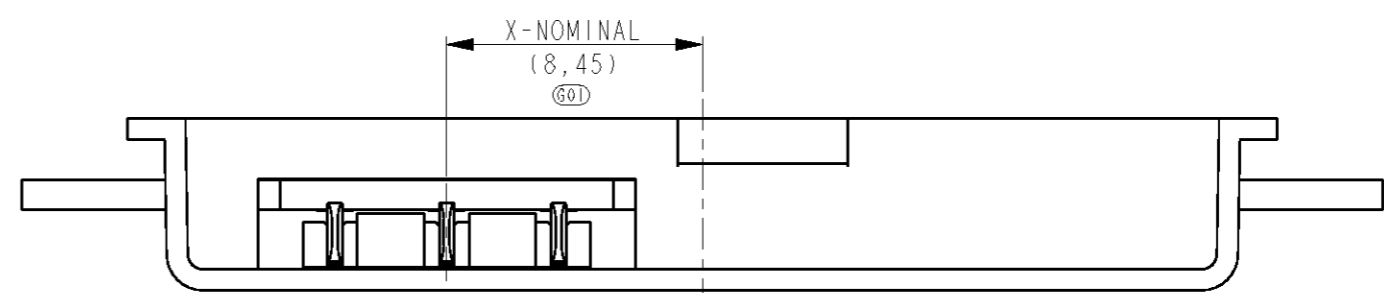
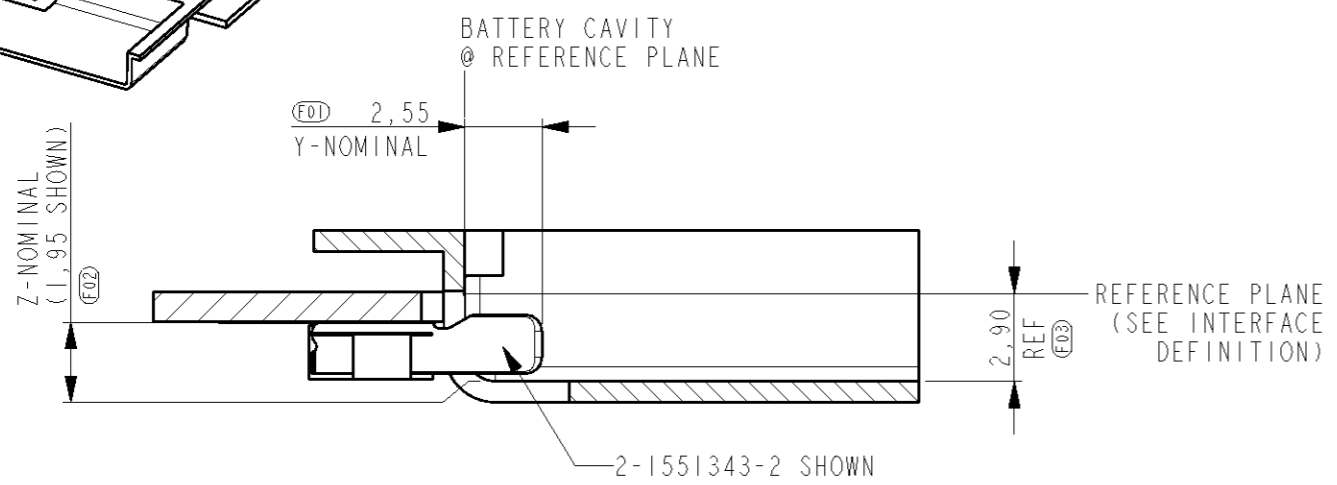
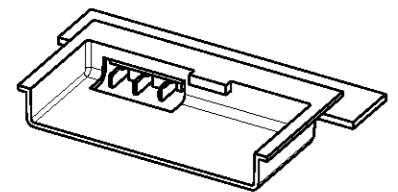
THIS DRAWING IS A CONTROLLED DOCUMENT.

| | | | |
|----------------|--|------------------------------|---|
| DIMENSIONS: mm | TOLERANCES UNLESS OTHERWISE SPECIFIED: | DWN P.Willems 17AUG2009 | TE Connectivity |
| | 0 PLC ±- | CHK P.Willems 17AUG2009 | |
| | 1 PLC ±0,2 | APVD D.Halberstadt 17AUG2009 | |
| | 2 PLC ±0,1 | PRODUCT SPEC 108-19276 | |
| | 3 PLC ±- | APPLICATION SPEC 114-19088 | NAME PLUG CONNECTOR EDGE-TYPE ULTRA SHORT, 3 POSITION BATTERY BLOCK |
| | 4 PLC ±- | WEIGHT - | SIZE A3 CAGE CODE 00779 DRAWING NO C=1551343 RESTRICTED TO - |
| | ANGLES ±- | | SCALE 10:1 SHEET 1 OF 5 REV A |

CUSTOMER DRAWING

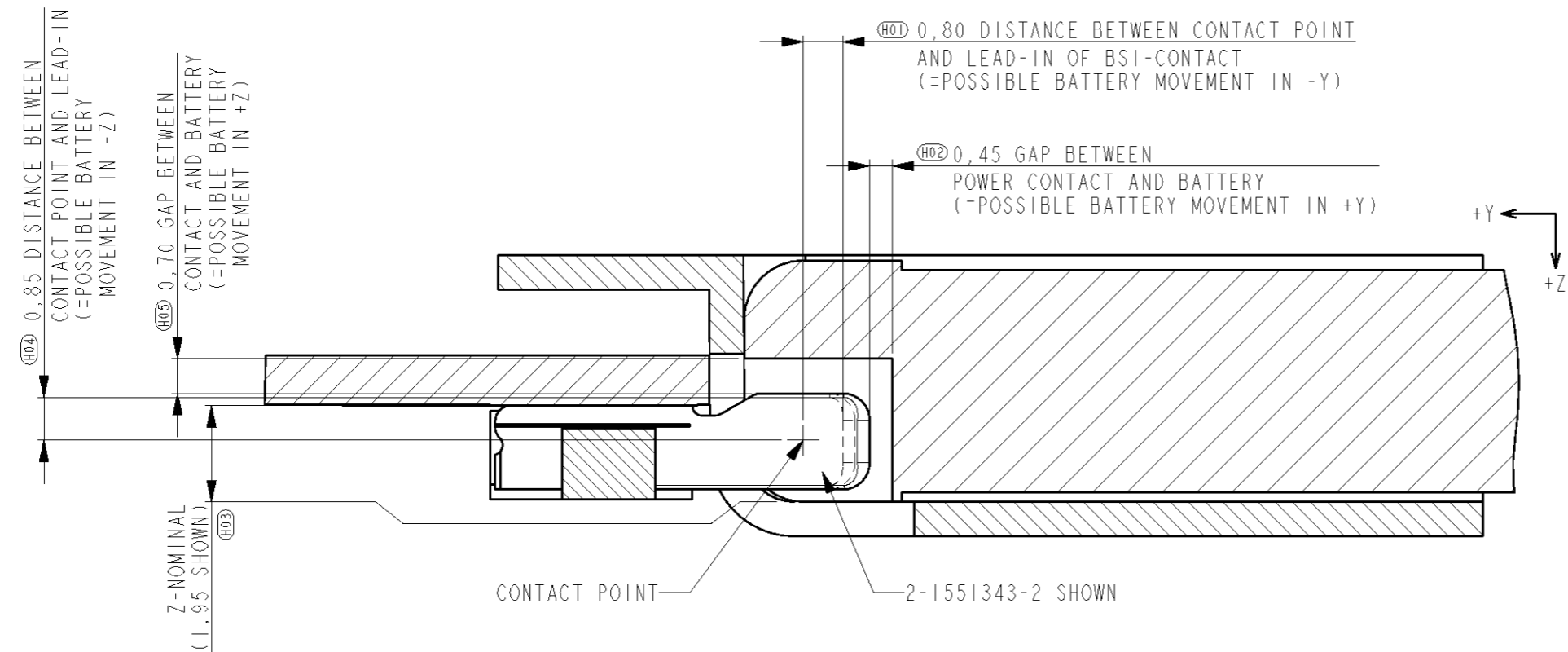
THIS DRAWING IS UNPUBLISHED. RELEASED FOR PUBLICATION
 © COPYRIGHT - BY - ALL RIGHTS RESERVED.

| LOC | DIST | REVISIONS | | | |
|-----|------|-------------|------|-----|------|
| P | LTR | DESCRIPTION | DATE | DWN | APVD |
| H | - | SEE SHEET 1 | - | - | - |



SITUATION SKETCH OF THE PLUG APPLIED IN A BL-4B PHONE CASE.

CONNECTOR POSITIONING



WORKING RANGE:
 (PERMITTED BATTERY MOVEMENT)

IN X-DIRECTION ±0,50 SYMMETRICAL

IN Y-DIRECTION 1,25 TOTAL
 IN -Y-DIRECTION 0,80
 (BATTERY LENGTH TOLERANCE, PHONE CASE TOLERANCE, ASSEMBLY TOLERANCE, PHONE FLEXIBILITY)
 IN +Y-DIRECTION 0,45
 (ASSEMBLY TOLERANCE, PHONE FLEXIBILITY)

IN Z-DIRECTION 1,55 TOTAL
 IN -Z-DIRECTION 0,85
 (BATTERY FRONT TOLERANCE, PHONE CASE TOLERANCE, PHONE FLEXIBILITY)
 IN +Z-DIRECTION 0,70
 (PHONE CASE TOLERANCE, PHONE FLEXIBILITY)
 THESE VALUES APPLY IF Z-NOMINAL IS IN THE CENTER OF THE RANGE SPECIFIED FOR THE PLUG (AS SHOWN HERE).

WORKING RANGE

SCALE 8:1

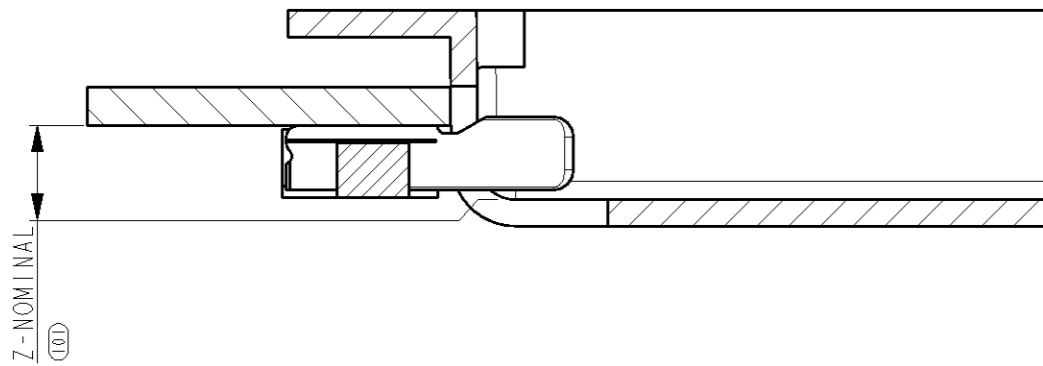
| | | | | |
|--|------------|------------------------------|-----------------------------------|-----------------|
| THIS DRAWING IS A CONTROLLED DOCUMENT. | | DWN P.Willems 17AUG2009 | TE Connectivity | |
| DIMENSIONS: mm | | CHK P.Willems 17AUG2009 | | |
| TOLERANCES UNLESS OTHERWISE SPECIFIED: | | APVD D.Halberstadt 17AUG2009 | NAME | |
| 0 PLC ±- | 1 PLC ±0,2 | PRODUCT SPEC 108-19276 | PLUG CONNECTOR | |
| 2 PLC ±0,1 | 3 PLC ±- | APPLICATION SPEC 114-19088 | EDGE-TYPE ULTRA SHORT, 3 POSITION | |
| 4 PLC ±- | ANGLES ±- | WEIGHT - | SIZE A3 | CAGE CODE 00779 |
| MATERIAL - | FINISH - | CUSTOMER DRAWING | DRAWING NO C=1551343 | RESTRICTED TO - |
| | | SCALE 10:1 | SHEET 2 OF 5 | REV A |

THIS DRAWING IS UNPUBLISHED.

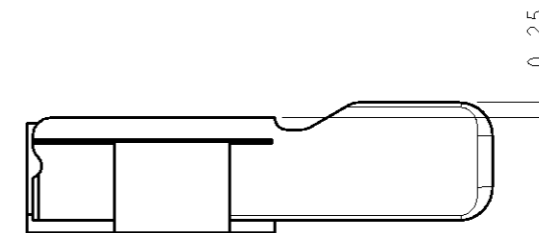
RELEASED FOR PUBLICATION

© COPYRIGHT - BY - ALL RIGHTS RESERVED.

| LOC | DIST | REVISIONS | | | | | |
|-----|------|-----------|-----|-------------|------|-----|------|
| H | - | P | LTR | DESCRIPTION | DATE | DWN | APVD |
| | | - | | SEE SHEET 1 | - | - | - |
| | | | | | | | |
| | | | | | | | |




| NMP CODE | PART NUMBER | Z-NOMINAL RANGE | DIMENSION "A" | MASS [mg] |
|----------|-------------|--------------------|---------------|-----------|
| 54699G2 | 2-1551343-2 | <2,2 (1,75 - 2,15) | 0,25 | 227 |



2-1551343-2

PRODUCT SELECTION

| | | | | |
|---|--|-------------------------------------|---|--------------------|
| THIS DRAWING IS A CONTROLLED DOCUMENT. | | DWN P. Willems 17AUG2009 |  TE Connectivity | |
| DIMENSIONS: mm | | CHK P. Willems 17AUG2009 | | |
| TOLERANCES UNLESS OTHERWISE SPECIFIED: | | APVD D. Halberstadt 17AUG2009 | NAME PLUG CONNECTOR EDGE-TYPE ULTRA SHORT, 3 POSITION BATTERY BLOCK | |
| 0 PLC ±- 1 PLC ±0,2 2 PLC ±0,1 3 PLC ±- 4 PLC ±- ANGLES ±- | | PRODUCT SPEC 108-19276 | RESTRICTED TO | |
| MATERIAL - | | APPLICATION SPEC 114-19088 | SIZE A3 | CAGE CODE 00779 |
| FINISH - | | WEIGHT - | DRAWING NO C=1551343 | |
| | | CUSTOMER DRAWING | SCALE 10:1 | SHEET 3 OF 5 |
| | | | REV A | |

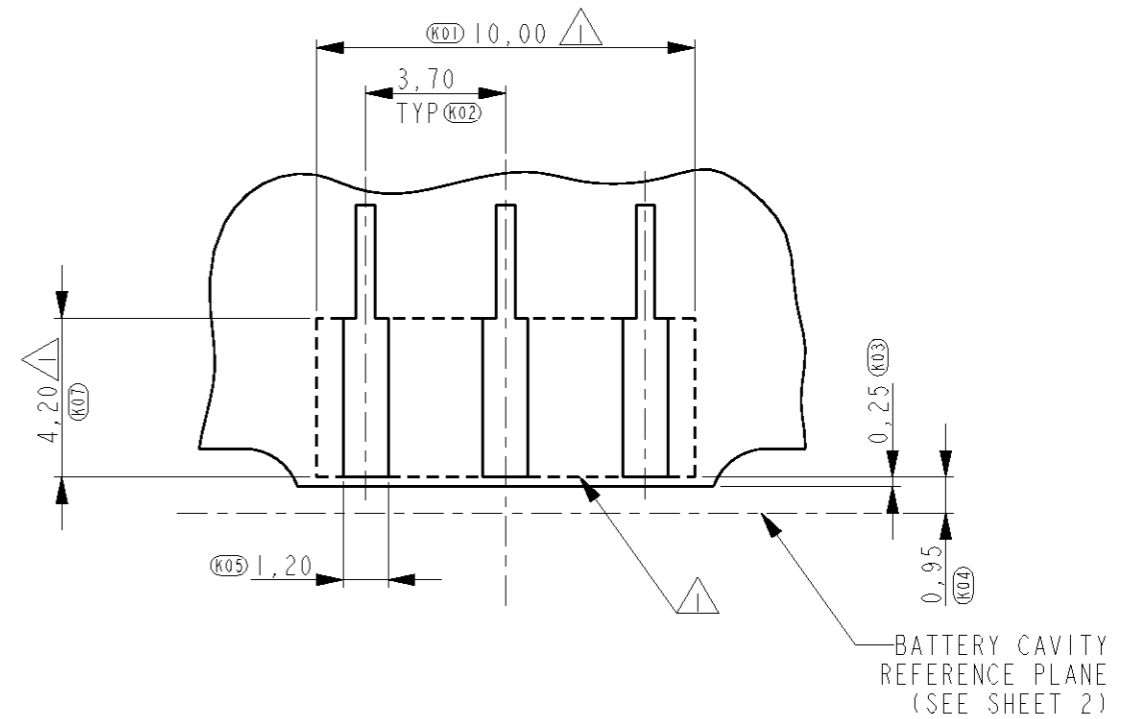
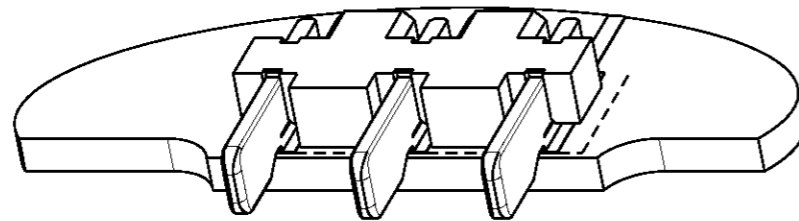
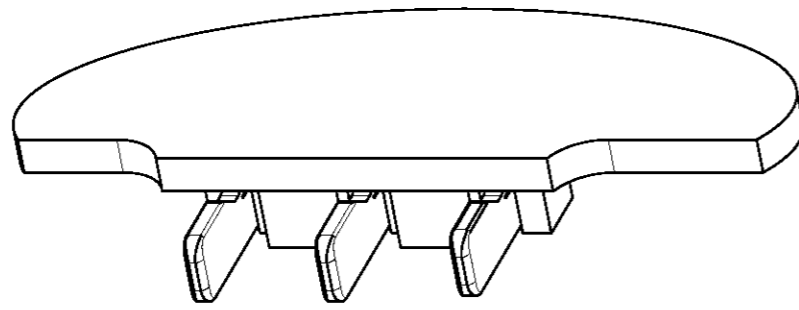
THIS DRAWING IS UNPUBLISHED.

RELEASED FOR PUBLICATION

© COPYRIGHT - BY -


ALL RIGHTS RESERVED.

| LOC | DIST | REVISIONS | | | | | |
|-----|------|-----------|-----|-------------|------|-----|------|
| H | - | P | LTR | DESCRIPTION | DATE | DWN | APVD |
| | | | - | SEE SHEET 1 | - | - | - |
| | | | | | | | |
| | | | | | | | |



NOTES:

△ AREA FREE OF SOLDER SCREEN.

| | | | | |
|---|--|-------------------------------------|---|-------------------------|
| THIS DRAWING IS A CONTROLLED DOCUMENT. | | DWN P. Willems 17AUG2009 |  TE Connectivity | |
| DIMENSIONS: mm | | CHK P. Willems 17AUG2009 | | |
| TOLERANCES UNLESS OTHERWISE SPECIFIED: | | APVD D. Halberstadt 17AUG2009 | NAME PLUG CONNECTOR EDGE-TYPE ULTRA SHORT, 3 POSITION BATTERY BLOCK | |
| 0 PLC ±- 1 PLC ±0,2 2 PLC ±0,1 3 PLC ±- 4 PLC ±- ANGLES ±- | | PRODUCT SPEC 108-19276 | SIZE A3 | |
| MATERIAL - | | APPLICATION SPEC 114-19088 | CAGE CODE 00779 | DRAWING NO C=1551343 |
| FINISH - | | WEIGHT - | RESTRICTED TO - | |
| | | CUSTOMER DRAWING | SCALE 10:1 | SHEET 4 OF 5 |
| | | | REV A | |

4

3

2

1

THIS DRAWING IS UNPUBLISHED.

RELEASED FOR PUBLICATION

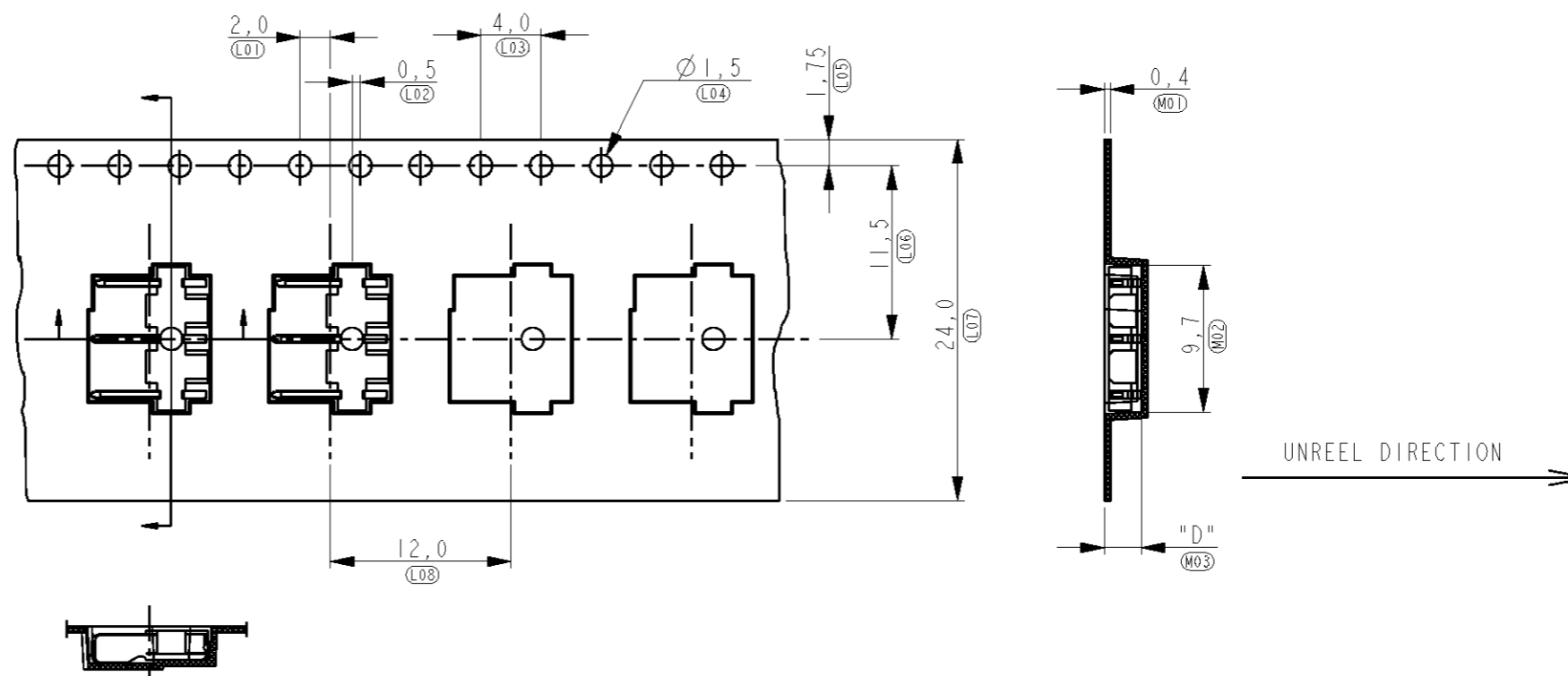
© COPYRIGHT - BY - ALL RIGHTS RESERVED.


| LOC | DIST | REVISIONS | | | |
|-----|------|-------------|------|-----|------|
| P | LTR | DESCRIPTION | DATE | DWN | APVD |
| H | - | SEE SHEET 1 | - | - | - |

| PART NUMBER | QUANTITY PER REEL | DIMENSION "D" |
|-------------|-------------------|---------------|
| 2-1551343-2 | 1800 | 2,45 |

NOTES:

1 REEL DIMENSION: 330x101x24,4.



| | | | | |
|---|--|-------------------------------------|---|-------------------------|
| THIS DRAWING IS A CONTROLLED DOCUMENT. | | DWN P. Willems 17AUG2009 |  TE Connectivity | |
| DIMENSIONS: mm | | CHK P. Willems 17AUG2009 | | |
| TOLERANCES UNLESS OTHERWISE SPECIFIED: | | APVD D. Halberstadt 17AUG2009 | NAME PLUG CONNECTOR EDGE-TYPE ULTRA SHORT, 3 POSITION BATTERY BLOCK | |
| 0 PLC ±- 1 PLC ±0,2 2 PLC ±0,1 3 PLC ±- 4 PLC ±- ANGLES ±- | | PRODUCT SPEC 108-19276 | SIZE A3 | |
| MATERIAL - | | APPLICATION SPEC 114-19088 | CAGE CODE 00779 | DRAWING NO C=1551343 |
| FINISH - | | WEIGHT - | RESTRICTED TO - | |
| | | CUSTOMER DRAWING | SCALE 10:1 | SHEET 5 OF 5 |
| | | | REV A | |

Mouser Electronics

Authorized Distributor

Click to View Pricing, Inventory, Delivery & Lifecycle Information:

[TE Connectivity:](#)

[2-1551343-2](#)