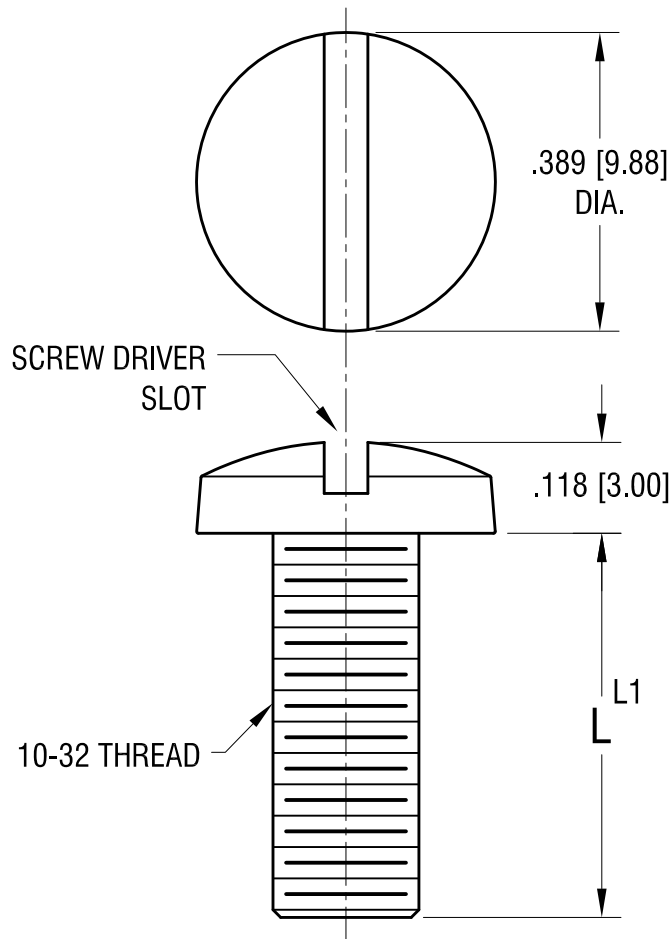


THIS DOCUMENT IS THE PROPERTY OF
KEYSTONE ELECTRONICS CORP. AND
SHALL NOT BE REPRODUCED, DISTRIBUTED
OR USED AS A BASIS FOR MANUFACTURE
WITHOUT PRIOR WRITTEN PERMISSION
FROM KEYSTONE ELECTRONICS CORP.



PART NO.	'L' DIM.	'L1' TOL. +0.0
9450	.500 [12.70]	-.020 [-0.50]
9451	.750 [19.05]	-.030 [-0.76]
9452	1.000 [25.40]	
9453	1.500 [38.10]	-.060 [-1.52]

KEYSTONE ELECTRONICS CORP.

www.keyelco.com • NEW HYDE PARK, NY 11040 • Tel (516) 328-7500

PART NAME				10-32 BINDING HEAD SCEW			
MATERIAL				NYLON 6/6			
FINISH			DRN BY		DATE		
NONE			BOONE		3.01.04		
			APP'D		SCALE		
			LN		4X		
TOLERANCES			INCH		[MM]		CODE
DECIMAL			± .010		[± 0.25]		C
ANGULAR			± 1°		UNLESS OTHERWISE SPECIFIED		DWG NO.
							9450-9453

DATE	DESCRIPTION	REV.

Mouser Electronics

Authorized Distributor

Click to View Pricing, Inventory, Delivery & Lifecycle Information:

[Keystone Electronics:](#)

[9453](#)