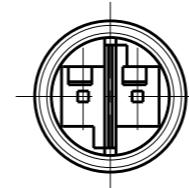


THIS DRAWING IS UNPUBLISHED. RELEASED FOR PUBLICATION 2005
© COPYRIGHT 2005 BY - ALL RIGHTS RESERVED.

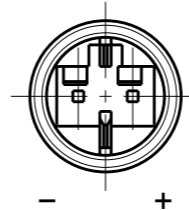
REVISIONS

P	LTR	DESCRIPTION	DATE	DWN	APVD
G		REVISED PER ECR-16-002347	22FEB2016	RS	JL
H		ECR-16-003641	11MAY2016	RS	JL
J		ECR-16-017348	24FEB2017	RK	JL
M		REVISED PER ECO-17-008502	17JUL2017	SK	JL

HIGH-VOLTAGE
Keying HV-1

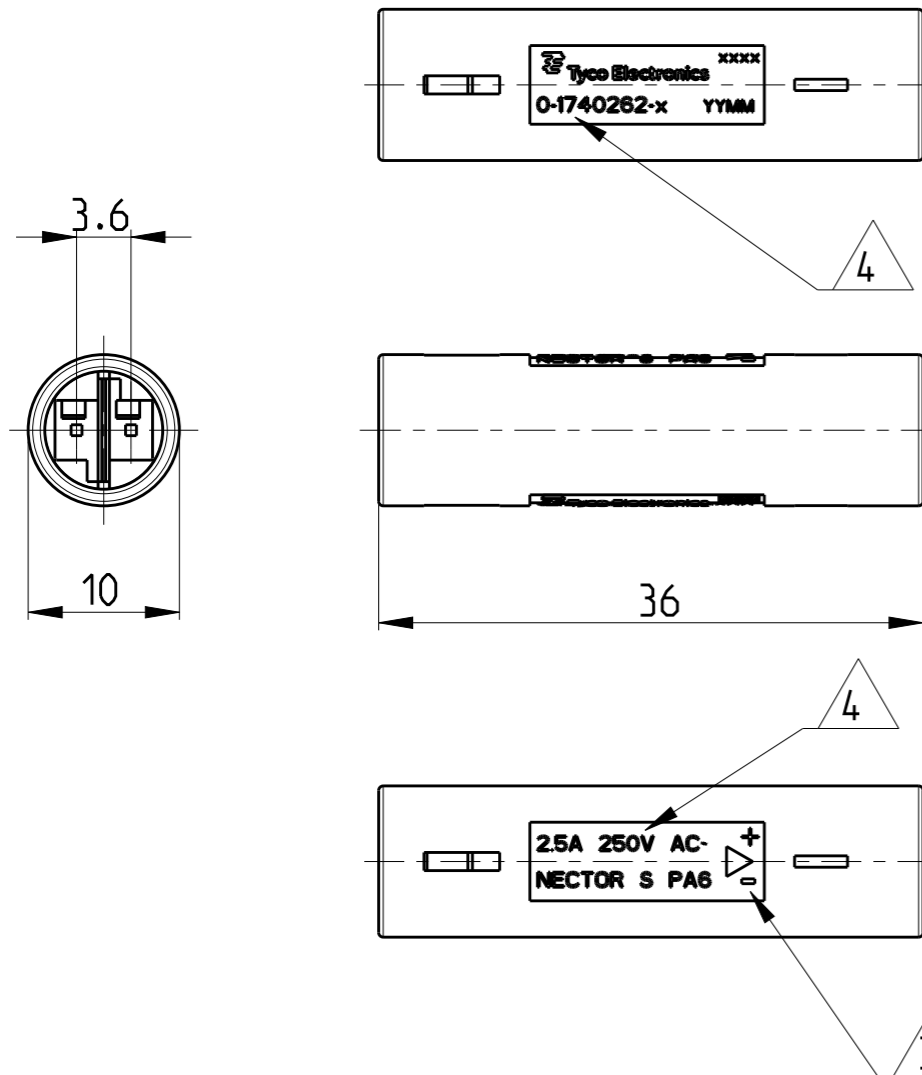


LOW-VOLTAGE
Keying LV-2

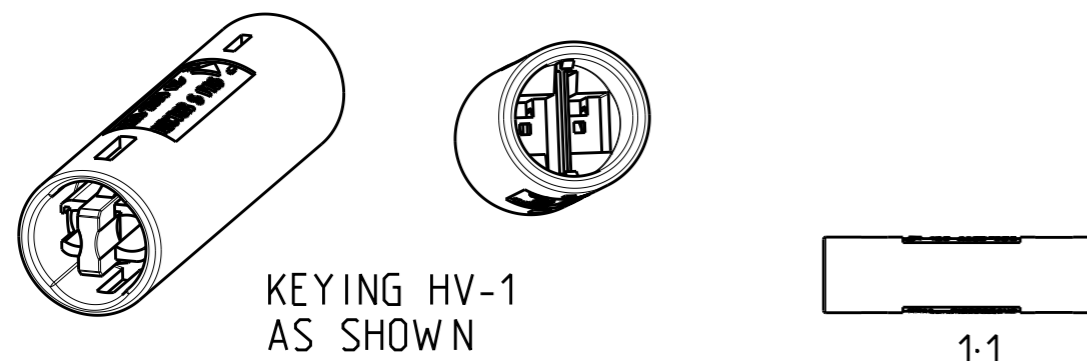


- Notes:
1. cavities designed for MQS Pin contact PN 1740335-x
 2. Counterpart is Plug PN 1740259-x and corresponding products of the NECTOR S family

- △3 Polarity marking +/- only for DC version (Keying LV-2)
- △4 PN specific marking
- △5 OBSOLETED.



LV-2	LOW-VOLTAGE 125VAC/VDC	7A/125VAC/VDC	BLACK	0-1740451-3
LV-2	LOW-VOLTAGE 125VAC/VDC	7A/125VAC/VDC	YELLOW	0-1740451-2
LV-1	LOW-VOLTAGE 125VAC/VDC	7A/125VAC/VDC	LIGHT GREY	0-1740451-1
HV-3	HIGH-VOLTAGE 125V AC	6A/125V AC ~	BLUE	0-1740262-6
HV-1	HIGH-VOLTAGE 250V AC	2.5A/250V AC ~	BLACK (ANTHRACITE)	0-1740262-2
HV-1	HIGH-VOLTAGE 250V AC	2.5A/250V AC ~	NATURAL (WHITE)	0-1740262-1
Keying	REMARKS	Marking	COLOR	PN



THIS DRAWING IS A CONTROLLED DOCUMENT.

DIMENSIONS: mm 	TOLERANCES UNLESS OTHERWISE SPECIFIED: 0 PLC ±0.2 1 PLC ±0.2 2 PLC ±0.2 3 PLC ± 4 PLC ± ANGLES ±1° FINISH -	DWN H.ATZMANN 07FEB2005 CHK M.OFENLOCH 07FEB2005 APVD T.GERLACH 07FEB2005	TE Connectivity NECTOR S Connector System Outlet		
		PRODUCT SPEC 108-94018 APPLICATION SPEC 114-18751 WEIGHT 2.2 g			
MATERIAL PA 6		CUSTOMER DRAWING	SCALE 2:1	SHEET 1 OF 1	REV M

Mouser Electronics

Authorized Distributor

Click to View Pricing, Inventory, Delivery & Lifecycle Information:

[TE Connectivity:](#)

[1740451-2](#)