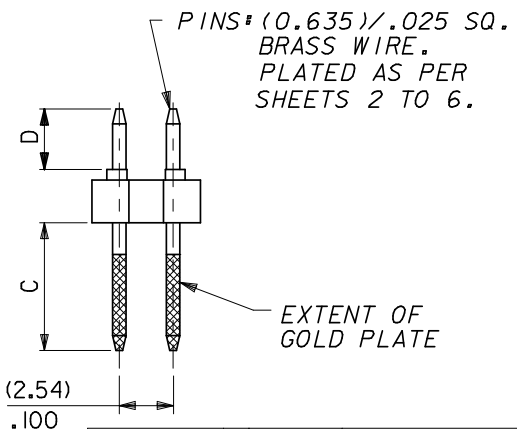
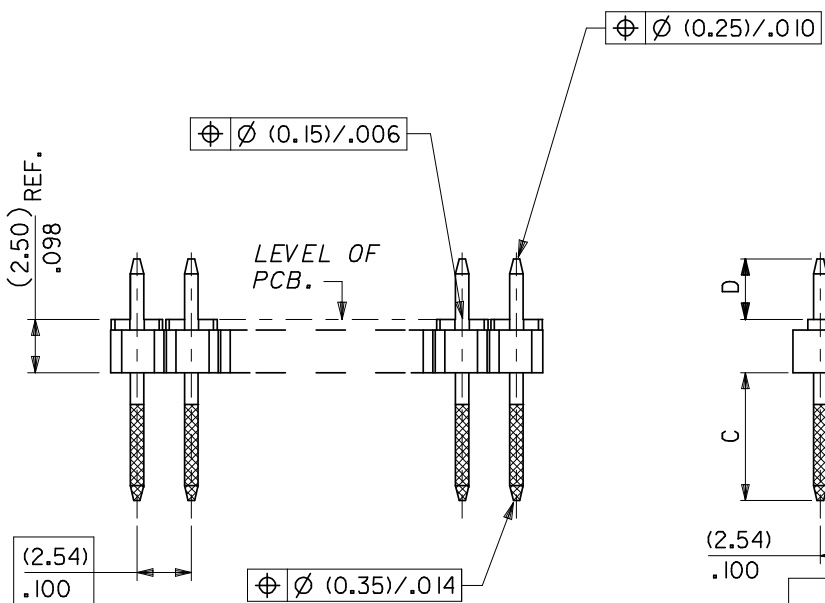


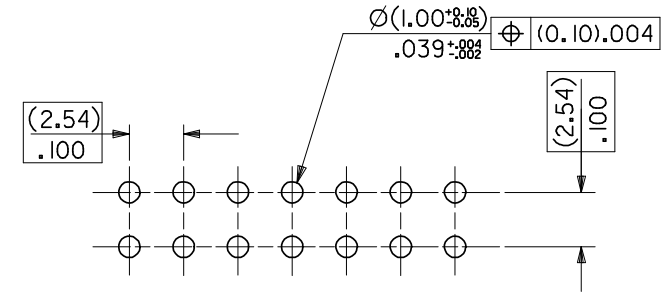
WAFER: 15% GLASS FILLED POLYESTER
TO UL 94V-0.
COLOUR: BLACK.



| CKT SIZE | DIM." A" | | DIM." B" ^(+0.20 / -0.08) | | CKT SIZE | DIM." A" | | DIM." B" ^(+0.20 / -0.08) | |
|----------|----------|-------|-------------------------------------|-------|----------|----------|-------|-------------------------------------|-------|
| 2X 1 | | | (2.54) | .100 | 2X21 | (50.80) | 2.000 | (53.34) | 2.100 |
| 2X 2 | (2.54) | .100 | (5.08) | .200 | 2X22 | (53.34) | 2.100 | (55.88) | 2.200 |
| 2X 3 | (5.08) | .200 | (7.62) | .300 | 2X23 | (55.88) | 2.200 | (58.42) | 2.300 |
| 2X 4 | (7.62) | .300 | (10.16) | .400 | 2X24 | (58.42) | 2.300 | (60.96) | 2.400 |
| 2X 5 | (10.16) | .400 | (12.70) | .500 | 2X25 | (60.96) | 2.400 | (63.50) | 2.500 |
| 2X 6 | (12.70) | .500 | (15.24) | .600 | 2X26 | (63.50) | 2.500 | (66.04) | 2.600 |
| 2X 7 | (15.24) | .600 | (17.78) | .700 | 2X27 | (66.04) | 2.600 | (68.58) | 2.700 |
| 2X 8 | (17.78) | .700 | (20.32) | .800 | 2X28 | (68.58) | 2.700 | (71.12) | 2.800 |
| 2X 9 | (20.32) | .800 | (22.86) | .900 | 2X29 | (71.12) | 2.800 | (73.66) | 2.900 |
| 2X10 | (22.86) | .900 | (25.40) | 1.000 | 2X30 | (73.66) | 2.900 | (76.20) | 3.000 |
| 2X11 | (25.40) | 1.000 | (27.94) | 1.100 | 2X31 | (76.20) | 3.000 | (78.74) | 3.100 |
| 2X12 | (27.94) | 1.100 | (30.48) | 1.200 | 2X32 | (78.74) | 3.100 | (81.28) | 3.200 |
| 2X13 | (30.48) | 1.200 | (33.02) | 1.300 | 2X33 | (81.28) | 3.200 | (83.82) | 3.300 |
| 2X14 | (33.02) | 1.300 | (35.56) | 1.400 | 2X34 | (83.82) | 3.300 | (86.36) | 3.400 |
| 2X15 | (35.56) | 1.400 | (38.10) | 1.500 | 2X35 | (86.36) | 3.400 | (88.90) | 3.500 |
| 2X16 | (38.10) | 1.500 | (40.64) | 1.600 | 2X36 | (88.90) | 3.500 | (91.44) | 3.600 |
| 2X17 | (40.64) | 1.600 | (43.18) | 1.700 | 2X37 | (91.44) | 3.600 | (93.98) | 3.700 |
| 2X18 | (43.18) | 1.700 | (45.72) | 1.800 | 2X38 | (93.98) | 3.700 | (96.52) | 3.800 |
| 2X19 | (45.72) | 1.800 | (48.26) | 1.900 | 2X39 | (96.52) | 3.800 | (99.06) | 3.900 |
| 2X20 | (48.26) | 1.900 | (50.80) | 2.000 | 2X40 | (99.06) | 3.900 | (101.60) | 4.000 |

NOTES

1. FOR ASSY NUMBERS WITH FINISH OPTIONS AND DIM'S C & D SEE SHEETS 2 TO 7.



RECOMMENDED P.C. BOARD HOLE PATTERN

NOTES
2. RECOMMENDED PCB THICKNESS 1.6MM
3. PRODUCT SPECIFICATION: PS-99020-0001

| | | |
|---|------------|-------------|
| ADDED NOTES EC NO: E2008-0337 DRWN: KIERAN CHKD: APPR: BMAGUIRE | 2008/02/14 | DESCRIPTION |
| | 2008/02/15 | |
| | 2008/02/15 | |
| | | |
| REV | | |

| | | |
|--|---------------------------------------|-------|
| QUALITY SYMBOLS ▲ = △ = | GENERAL TOLERANCES (UNLESS SPECIFIED) | |
| | mm | INCH |
| | 4 PLACES | ± --- |
| | 3 PLACES | ± --- |
| | 2 PLACES | ± --- |
| | 1 PLACE | ± --- |
| | ANGULAR ± --- ° | |
| DRAFT WHERE APPLICABLE MUST REMAIN WITHIN DIMENSIONS | | |

| | |
|----------------------------|-----------------|
| DIMENSION STYLE MM ONLY | |
| DRAWN BY DB | DATE 16/7/87 |
| CHECKED BY | DATE |
| APPROVED BY | DATE |
| MATERIAL NO. SEE CHART | |

| | | |
|---|------------------------|------------------------|
| SCALE 4:1 | DESIGN UNITS METRIC | THIRD ANGLE PROJECTION |
| TITLE C GRID III DUAL ROW STRAIGHT PIN HEADER | | |
| molex MOLEX INCORPORATED | | |
| DOCUMENT NO. SDA-90131 | SHEET NO. 1 OF 7 | |
| SIZE A3 THIS DRAWING CONTAINS INFORMATION THAT IS PROPRIETARY TO MOLEX INCORPORATED AND SHOULD NOT BE USED WITHOUT WRITTEN PERMISSION | | |

PART NO. SEE CHART
 DWG. NO. SDA-90131

DIM C
 (+0.20 / ±.008)
 (6.75)
 .266

DIM D
 (+0.20 / 0.30 / ±.006 / -.012)
 (2.90)
 .114

| CIRCUIT SIZE | PLATING TYPE A | PLATING TYPE E | PLATING TYPE F |
|--------------|----------------|----------------|----------------|
| | PART NO. | PART NO. | PART NO. |
| 2 X 1 | 90131-0121 | 90131-0761 | 90131-0921 |
| 2 X 2 | ▲ -0122 | ▲ -0762 | ▲ -0922 |
| 2 X 3 | -0123 | -0763 | -0923 |
| 2 X 4 | -0124 | -0764 | -0924 |
| 2 X 5 | -0125 | -0765 | -0925 |
| 2 X 6 | -0126 | -0766 | -0926 |
| 2 X 7 | -0127 | -0767 | -0927 |
| 2 X 8 | -0128 | -0768 | -0928 |
| 2 X 9 | -0129 | -0769 | -0929 |
| 2 X 10 | -0130 | -0770 | -0930 |
| 2 X 11 | -0131 | -0771 | -0931 |
| 2 X 12 | -0132 | -0772 | -0932 |
| 2 X 13 | -0133 | -0773 | -0933 |
| 2 X 14 | -0134 | -0774 | -0934 |
| 2 X 15 | -0135 | -0775 | -0935 |
| 2 X 16 | -0136 | -0776 | -0936 |
| 2 X 17 | -0137 | -0777 | -0937 |
| 2 X 18 | -0138 | -0778 | -0938 |
| 2 X 19 | -0139 | -0779 | -0939 |
| 2 X 20 | -0140 | -0780 | -0940 |
| 2 X 21 | -0141 | -0781 | -0941 |
| 2 X 22 | -0142 | -0782 | -0942 |
| 2 X 23 | -0143 | -0783 | -0943 |
| 2 X 24 | -0144 | -0784 | -0944 |
| 2 X 25 | -0145 | -0785 | -0945 |
| 2 X 26 | -0146 | -0786 | -0946 |
| 2 X 27 | -0147 | -0787 | -0947 |
| 2 X 28 | -0148 | -0788 | -0948 |
| 2 X 29 | -0149 | -0789 | -0949 |
| 2 X 30 | -0150 | -0790 | -0950 |
| 2 X 31 | -0151 | -0791 | -0951 |
| 2 X 32 | -0152 | -0792 | -0952 |
| 2 X 33 | -0153 | -0793 | -0953 |
| 2 X 34 | -0154 | -0794 | -0954 |
| 2 X 35 | -0155 | -0795 | -0955 |
| 2 X 36 | -0156 | -0796 | -0956 |
| 2 X 37 | -0157 | -0797 | -0957 |
| 2 X 38 | -0158 | -0798 | -0958 |
| 2 X 39 | ▼ -0159 | ▼ -0799 | ▼ -0959 |
| 2 X 40 | 90131-0160 | 90131-0800 | 90131-0960 |

NOTES:
 FOR PLATING VARIATIONS SEE
 ENG.STD. SDES-99000-0003.

STANDARD PRODUCTS

FOR PREVIOUS DRAWING ISSUES SEE MRI.

H SEE SHEET I.

LTR REVISIONS

DIMENSIONS SHOWN (METRIC) INCH
 UNLESS OTHERWISE SPECIFIED TOLERANCES: ANGULAR ± 1/2°

| | | |
|-----------------|------|------------|
| 3 PLACE ± . --- | INCH | (METRIC) |
| 2 PLACE ± . --- | INCH | (METRIC) |
| 1 PLACE ± . --- | INCH | (METRIC) |

DRAFT WHERE APPLICABLE MUST REMAIN WITHIN DIMENSIONS

DESIGN DIMENSION (PRIMARY) (MM) IN.

EQUIVALENT DIMENSION (SECONDARY) (MM) IN.

DRW BY DB

CHK'D BY

APP'D BY

SCALE

REVISE ONLY ON CAD SYSTEM

SHL. REV.

CAD/CAM FILENAME: SA90131X2.DGN

THIS DRAWING CONTAINS INFORMATION THAT IS PROPRIETARY TO MOLEX INC. & SHOULD NOT BE USED WITHOUT WRITTEN PERMISSION

TITLE: C-GRID III DUAL ROW STRAIGHT PIN HEADER

MOLEX MOLEX EUROPE

SHEET NO. DATE: 20F 16/ 7/87

PART NO. SEE CHART DWG NO. SDA-90131 SIZE B