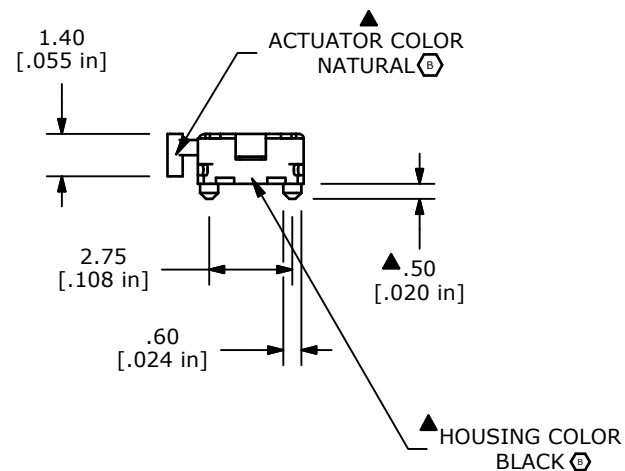
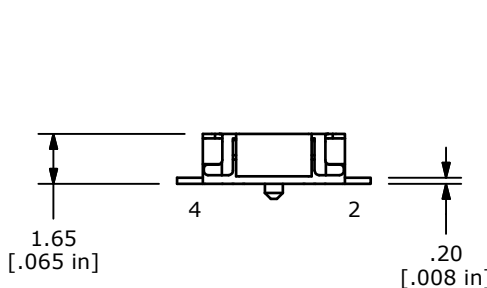


CIRCUIT: SPST

NOTES:

1. ALL DIMENSIONS IN MM
2. GENERAL TOLERANCE: X.X=±0.4
X.XX=±0.25
3. TERM. NOS. FOR REFERENCE ONLY.
4. RATING: 12VDC, 50mA
- ▲5. OPERATING FORCE: 160 ±50 gms
- ▲6. TRAVEL: 0.25mm ±0.1
7. CONTACT RESISTANCE: 100 MILLI OHMS MAX. (INITIAL)
8. MECHANICAL/ELECTRICAL LIFE 200,000 CYCLES MIN.
9. PACKAGE: TAPE AND REEL - 3300 PIECES PER REEL
10. ▲ DENOTES CRITICAL PARAMETER
12. 2002/95/EC (ROHS) COMPLIANT.



B	21619	CHANGED HOUSING COLOR TO BLACK	10/14/14	AS
A	20976	New Release	1/18/13	rc
REV	PCR NO	DESCRIPTION	DATE	BY

TITLE TL1014BF160QG				
SCALE	DATE 1/18/2013	DR rc	DWG P410002	REV B

THE INFORMATION CONTAINED IN THIS DOCUMENT IS PROPRIETARY TO E-SWITCH AND IS NOT TO BE COPIED OR TRANSFERRED

Mouser Electronics

Authorized Distributor

Click to View Pricing, Inventory, Delivery & Lifecycle Information:

[E-Switch:](#)

[TL1014BF160QG](#)