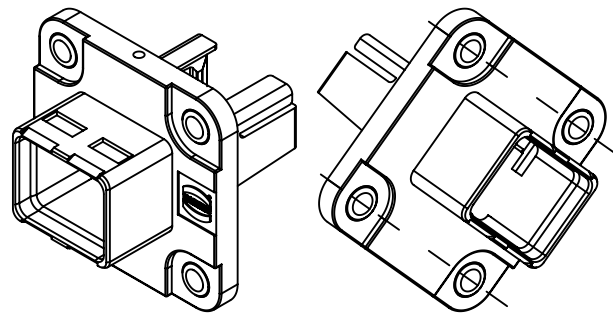
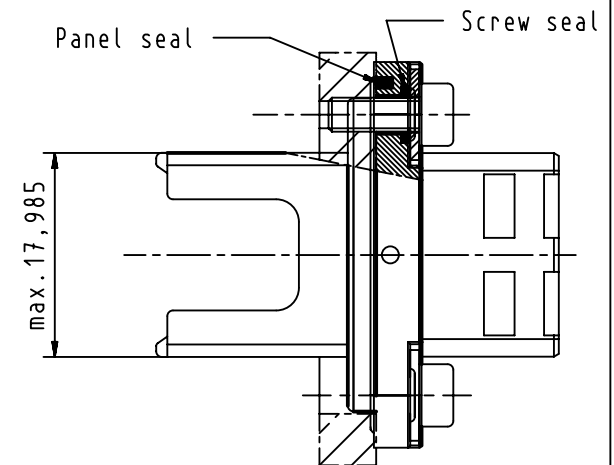
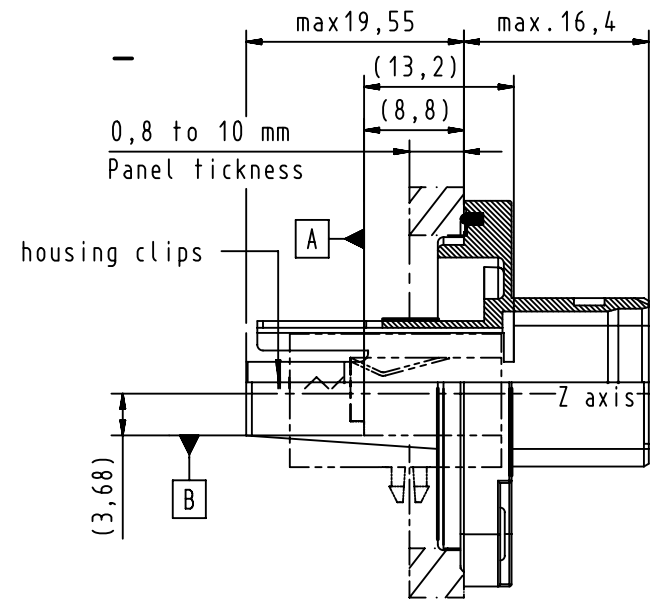
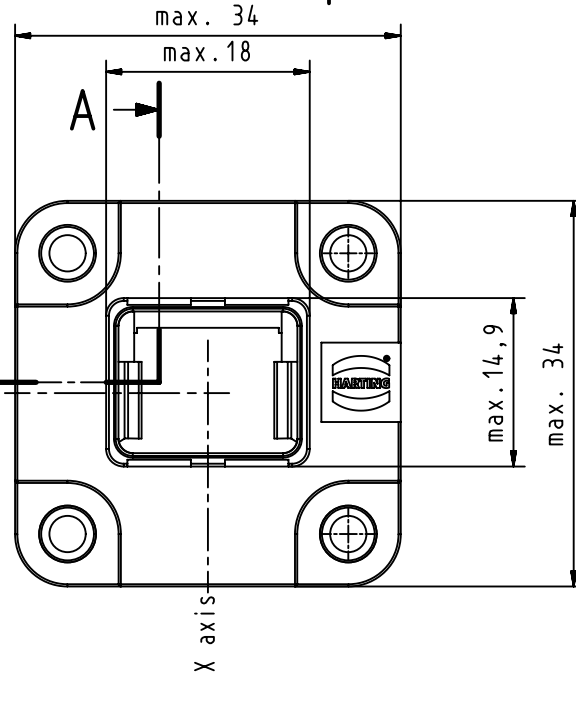
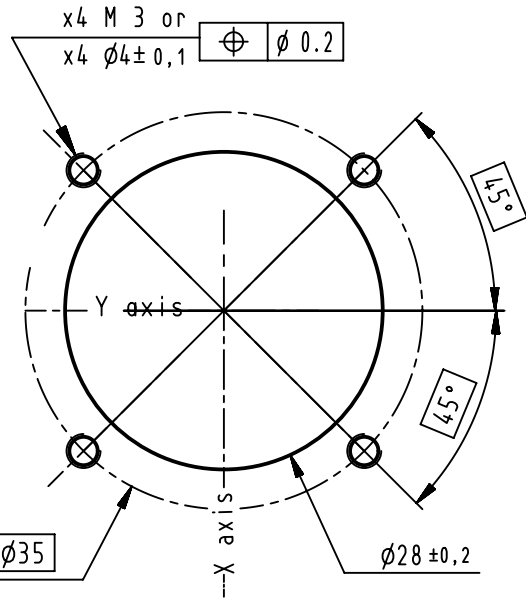



Panel cutting



Connector pitches on panel = 35 mm  
 Receptacle mating face acc. to  
 IEC 61076-3-106 - variant 04

A , B jack references according to  
 IEC 60603-7

Screwing with 4x M3 screws and flat washer  
 Screwing torque 0.5 N.m

	All rights reserved	Created by BARLEMONT	Inspected by DAUCHELLE	Standardisation KOHLER	Date 2013-08-05	State Final Release	
	Department EC PD - FR	Title Push Pull easy install IP67 receptacle				Doc-Key / ECM-Nr. 100195927/UGD/001/B 500000054.806	
HARTING Electronics GmbH D-32339 Espelkamp		Type TB	Number 09455450031			Rev. B	Page 1/1

# Mouser Electronics

Authorized Distributor

Click to View Pricing, Inventory, Delivery & Lifecycle Information:

[HARTING:](#)

[09455450031](#)