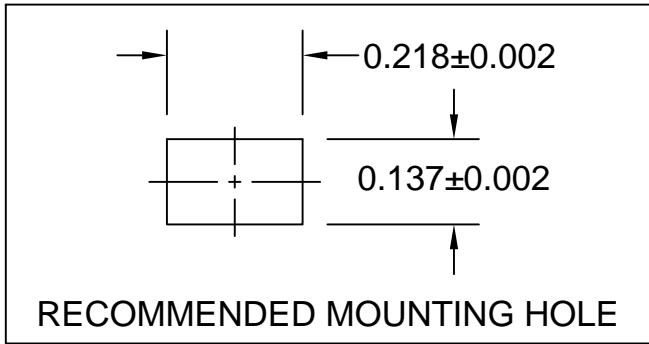
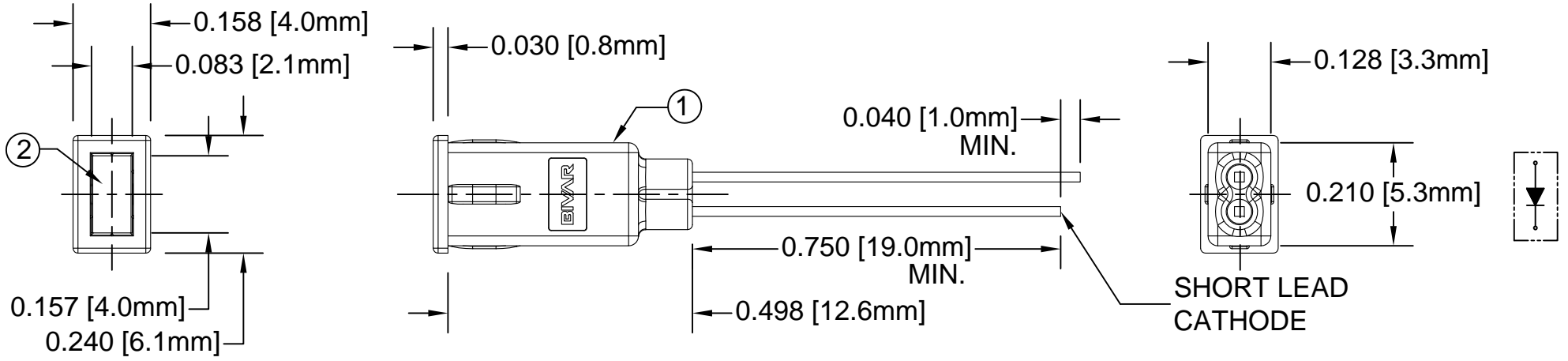



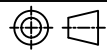
ITEM	Q'TY	PART NUMBER	PART DESCRIPTION
1	1	PMR4	Rectangular LED Holder, Panel Mount, Press Fit
2	1	R4XXX	2 X 4mm Rectangular LED, See Page 2

REV.	DESCRIPTION	DATE	APPROVED
A	Engineering Release	07/02/09	T. Y.
B	Engineering Update w/o Changes	08/14/16	J. C.



ABSOLUTE MAXIMUM RATINGS (Ta = 25°C)

- REVERSE VOLTAGE _____ 5V
- REVERSE CURRENT (VR=5V) _____ 100µA
- OPERATING TEMPERATURE RANGE _____ -25°C ~ 85°C
- STORAGE TEMPERATURE _____ -30°C ~ 100°C
- LEAD SOLDERING TEMPERATURE (1/16" FROM BODY) _____ 260°C for 5 Seconds

STANDARD TOLERANCE (UNLESS OTHERWISE SPECIFIED)		 4 THOMAS, IRVINE, CA. 92618 TEL: (949) 951-8808 FAX: (949) 951-3974		
DECIMALS	ANGULAR			
.X ±.1	X° ± 1°			
.XX ±.02		TITLE: 2 X 4mm RECTANGULAR LED PANEL MOUNT ASSEMBLY		
.XXX ±.010		DESIGNED: R. Paje	DATE: 07/02/09	PART NO: PMR4XXX
CHECKED: T. Yin		DATE: 07/02/09	CAGE CODE : 32559 SHEET # 1 OF 2	
<small>CAD GENERATED DOCUMENT. DO NOT MEASURE DRAWING.</small>				

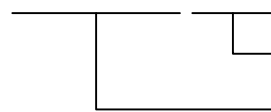
REV.	DESCRIPTION	DATE	APPROVED
	SEE SHEET #1		

AVAILABLE CONFIGURATIONS

Assy P/N	Emitted Color	Peak Wave Length λ_p (nm)	Lens Appearance	Absolute Max. Ratings			Vf (V)		Iv (mcd)	Viewing Angle 2 $\theta_{1/2}$ (Deg)	LED P/N
				Pd (mW)	If (mA)	Peak If (mA)	TYP	MAX	TYP		
STANDARD SINGLE COLOR LED ASSEMBLIES (20mA)											
PMR4AD	AMBER	605	DIFFUSED	80	30	150	2.0	2.8	6	120	R4AD
PMR4BWD	BLUE	430		150	25	70	4.0	4.5	6	120	R4BWD
PMR4GD	GREEN	568		80	30	150	2.1	2.8	8	120	R4GD
PMR4HD	HE RED	625		80	30	150	2.0	2.6	8	120	R4HD
PMR4PGD	PURE GREEN	555		80	30	150	2.2	2.8	2	120	R4PGD
PMR4RD	RED	700		45	30	80	2.1	2.6	0.4	120	R4RD
PMR4YD	YELLOW	590		85	30	150	2.0	2.6	6	120	R4YD

PART NUMBER DESIGNATION

P M R 4 G D



LED COLOR AND
LENS APPEARANCE
LED PANEL MOUNT
SERIES

STANDARD TOLERANCE (UNLESS OTHERWISE SPECIFIED)		BIVAR [®] 4 THOMAS, IRVINE, CA. 92618 TEL: (949) 951-8808 FAX: (949) 951-3974	
DECIMALS	ANGULAR		
DESIGNED: R. Paje	DATE: 07/02/09	TITLE: 2 X 4mm RECTANGULAR LED PANEL MOUNT ASSEMBLY	REVISION: B
CHECKED: T. Yin	DATE: 07/02/09	PART NO: PMR4XXX	CAGE CODE : 32559 SHEET # 2 OF 2
CAD GENERATED DOCUMENT. DO NOT MEASURE DRAWING.			

NOTES:

1. ADDITIONAL LED OPTICAL / ELECTRICAL DATA AVAILABLE @ WWW.BIVAR.COM

Mouser Electronics

Authorized Distributor

Click to View Pricing, Inventory, Delivery & Lifecycle Information:

[BIVAR:](#)

[PMR4AD](#) [PMR4BWD](#) [PMR4GD](#) [PMR4HD](#) [PMR4PGD](#) [PMR4RD](#) [PMR4YD](#)