

**PLEASE CHECK WWW.MOLEX.COM FOR LATEST PART INFORMATION**

**Part Number:** **0196001308**  
**Status:** **Active**  
**Overview:** Standard Quick-Disconnect Terminals  
**Description:** Avikrimp Fully Insulated Female Quick Disconnect

**Documents:**

[3D Model](#) [Product Specification PS-19902-015-001 \(PDF\)](#)  
[Drawing \(PDF\)](#) [RoHS Certificate of Compliance \(PDF\)](#)  
[Product Specification PS-19902-014-001 \(PDF\)](#)

**Agency Certification**

CSA LR18689  
 UL E79133

**General**

Product Family Quick Disconnects  
 Series 19600  
 Crimp Quality Equipment Yes  
 Insulated Fully  
 Overview Standard Quick-Disconnect Terminals  
 Product Name Avikrimp  
 Type Quick Disconnect  
 UPC 800753117822

**Physical**

Barrel Type Closed  
 Color - Resin Yellow  
 Flammability 94V-2  
 Gender Female  
 Glow-Wire Capable No  
 Insulation Nylon (PA)  
 Lock to Mating Part None  
 Material - Metal Brass  
 Material - Plating Mating Tin  
 Material - Plating Termination Tin  
 Net Weight 1.183/g  
 Orientation Straight  
 Packaging Type Adhesive Tape on Reel  
 Polarized to Mating Part No  
 Tab Thickness 0.81mm  
 Tab Width 4.75mm  
 Temperature Range - Operating -65° to +105°C  
 Wire Insulation Diameter 6.89x4.32mm max.  
 Wire Size AWG 16+16, 18+18, 20+20, 22+22

**Electrical**

Voltage - Maximum 300V

**Solder Process Data**

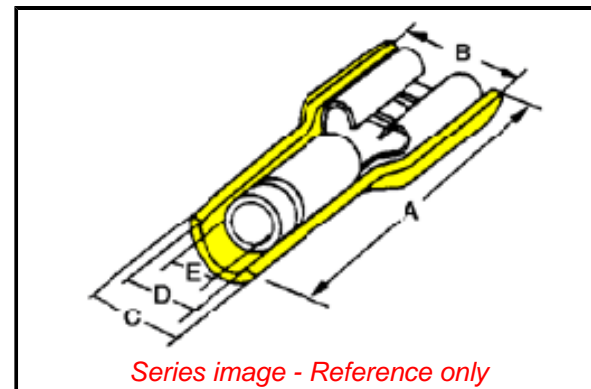
Lead-free Process Capability N/A

**Material Info**

Engineering Number P-5239-032T

**Reference - Drawing Numbers**

Product Specification PS-19902-014-001, PS-19902-015-001  
 Sales Drawing SD-19600-1300



Series image - Reference only

**EU ELV**

**Not Relevant**

**EU RoHS**

**Not Reviewed**

**REACH SVHC**

Not Contained Per -  
 ED/30/2017 (7 July  
 2017)

**Halogen-Free**

**Status**

**Low-Halogen**

For more information, please visit [Contact US](#)

China ROHS

ELV

RoHS Phthalates

**China RoHS**

Green Image

Not Relevant

Not Contained

**Search Parts in this Series**

19600 Series

**Application Tooling | FAQ**

*Tooling specifications and manuals are found by selecting the products below. Crimp Height Specifications are then contained in the Application Tooling Specification document.*

**Global**

Description	Product #
ATP Crimp Dies for the Tape Crimp Module and ATP-101 & 301 Press	<u>190270001</u>
ATP Crimp Dies for the Tape Crimp Module and ATP-101 & 301 Press	<u>190270310</u>

This document was generated on 09/18/2019

**PLEASE CHECK [WWW.MOLEX.COM](http://WWW.MOLEX.COM) FOR LATEST PART INFORMATION**

# Mouser Electronics

Authorized Distributor

Click to View Pricing, Inventory, Delivery & Lifecycle Information:

[Molex:](#)

[19600-1308](#)