

**PLEASE CHECK WWW.MOLEX.COM FOR LATEST PART INFORMATION**

**Part Number:** **5023861070**  
**Status:** **Active**  
**Description:** 1.25 W/B Sgl R/A Rec Assy 10CktEmbsTpPkg

**Documents:**

<a href="#">3D Model</a>	<a href="#">Application Specification AS-502380-002-001 (PDF)</a>
<a href="#">Drawing (PDF)</a>	<a href="#">Packaging Specification SPK-502386-001-001 (PDF)</a>
<a href="#">Product Specification PS-502382-001-001 (PDF)</a>	<a href="#">RoHS Certificate of Compliance (PDF)</a>

**Agency Certification**

UL E29179

**General**

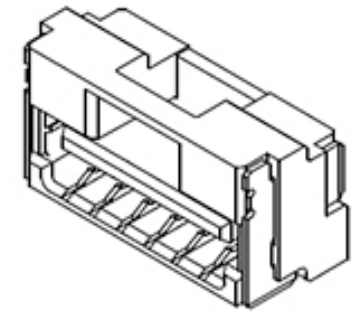
Product Family	PCB Receptacles
Series	502386
Application	Signal, Wire-to-Board
Data Load Status	Collected FY08-Verified FY08
Doc Info - Component	E-502386-002_A, E-502386-003_A, PS-502382-001_C, RPS-502382-003_A, SD-502386-001_B, SD-502386-002_B, SD-502386-003_B, SPK-502386-001_A
Made From	5023841009, 5023850028, 5023870028
Product Name	CLIK-Mate
UPC	822350895750

**Physical**

Circuits (Loaded)	10
Circuits (maximum)	10
Color - Resin	Natural
Durability (mating cycles max)	30
Glow-Wire Capable	No
Guide to Mating Part	Yes
Keying to Mating Part	Yes
Lock to Mating Part	Yes
Mated Height	5.55mm
Material - Metal	Copper Alloy
Material - Plating Mating	Tin
Material - Plating Termination	Tin
Material - Resin	High Temperature Thermoplastic
Net Weight	453.601/mg
Number of Rows	1
Orientation	Right Angle
PCB Locator	No
PCB Retention	Yes
Packaging Type	Embossed Tape on Reel
Pitch - Mating Interface	1.25mm
Pitch - Termination Interface	1.25mm
Plating min - Mating	1.016µm
Plating min - Termination	1.016µm
Polarized to Mating Part	Yes
Polarized to PCB	No
Stackable	No
Temperature Range - Operating	-40°C to +105°C
Termination Interface: Style	Surface Mount

**Electrical**

Current - Maximum per Contact 1.0A



Series image - Reference only

**EU ELV**

**Not Relevant**

**EU RoHS**

**Compliant**

**REACH SVHC**

Not Contained Per  
-ED/01/2018 (15  
January 2018)

**Halogen-Free**

**Status**

**Not Low-Halogen**

**Need more information on product environmental compliance?**

Email [productcompliance@molex.com](mailto:productcompliance@molex.com)  
Please visit the [Contact Us](#) section for any non-product compliance questions.

China ROHS

ELV

RoHS Phthalates

Green Image

Not Relevant

Not Contained

**Search Parts in this Series**

[502386 Series](#)

**Mates With**

[502380 CLIK-Mate Housing](#)

Voltage - Maximum

50V AC (RMS)/DC

**Material Info**

**Reference - Drawing Numbers**

Application Specification

AS-502380-002-001

Packaging Specification

SPK-502386-001-001

Product Specification

PS-502382-001-001

Sales Drawing

SD-502386-002, SD-502386-003

This document was generated on 03/02/2018

**PLEASE CHECK [WWW.MOLEX.COM](http://WWW.MOLEX.COM) FOR LATEST PART INFORMATION**

# Mouser Electronics

Authorized Distributor

Click to View Pricing, Inventory, Delivery & Lifecycle Information:

[Molex:](#)

[502386-1070](#)