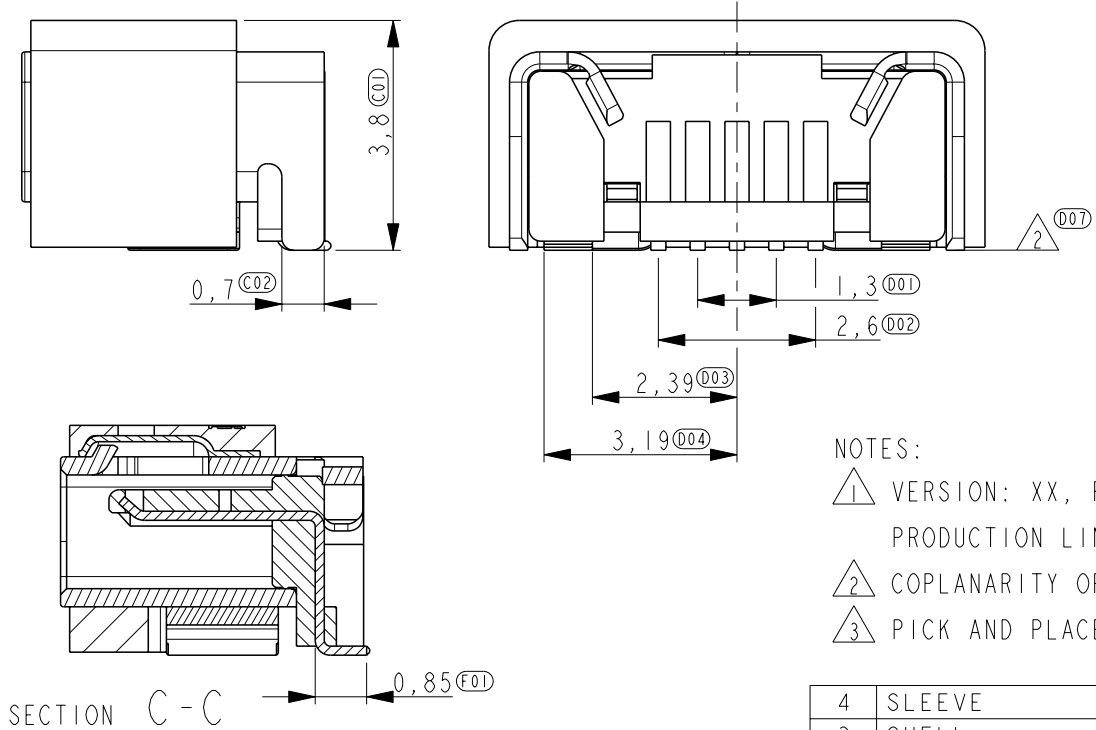
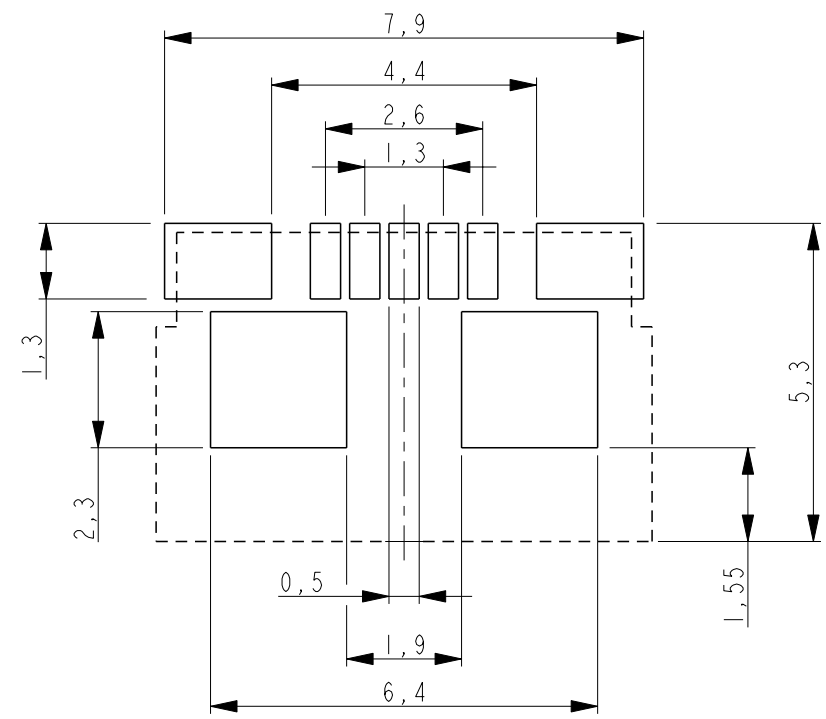
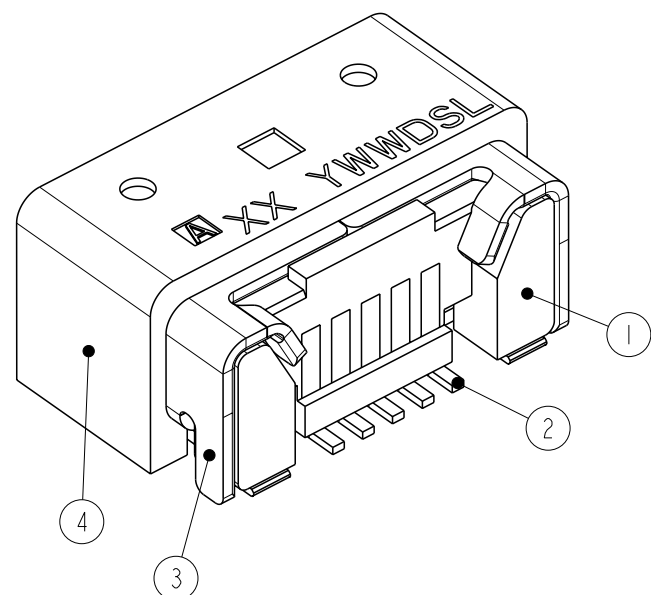
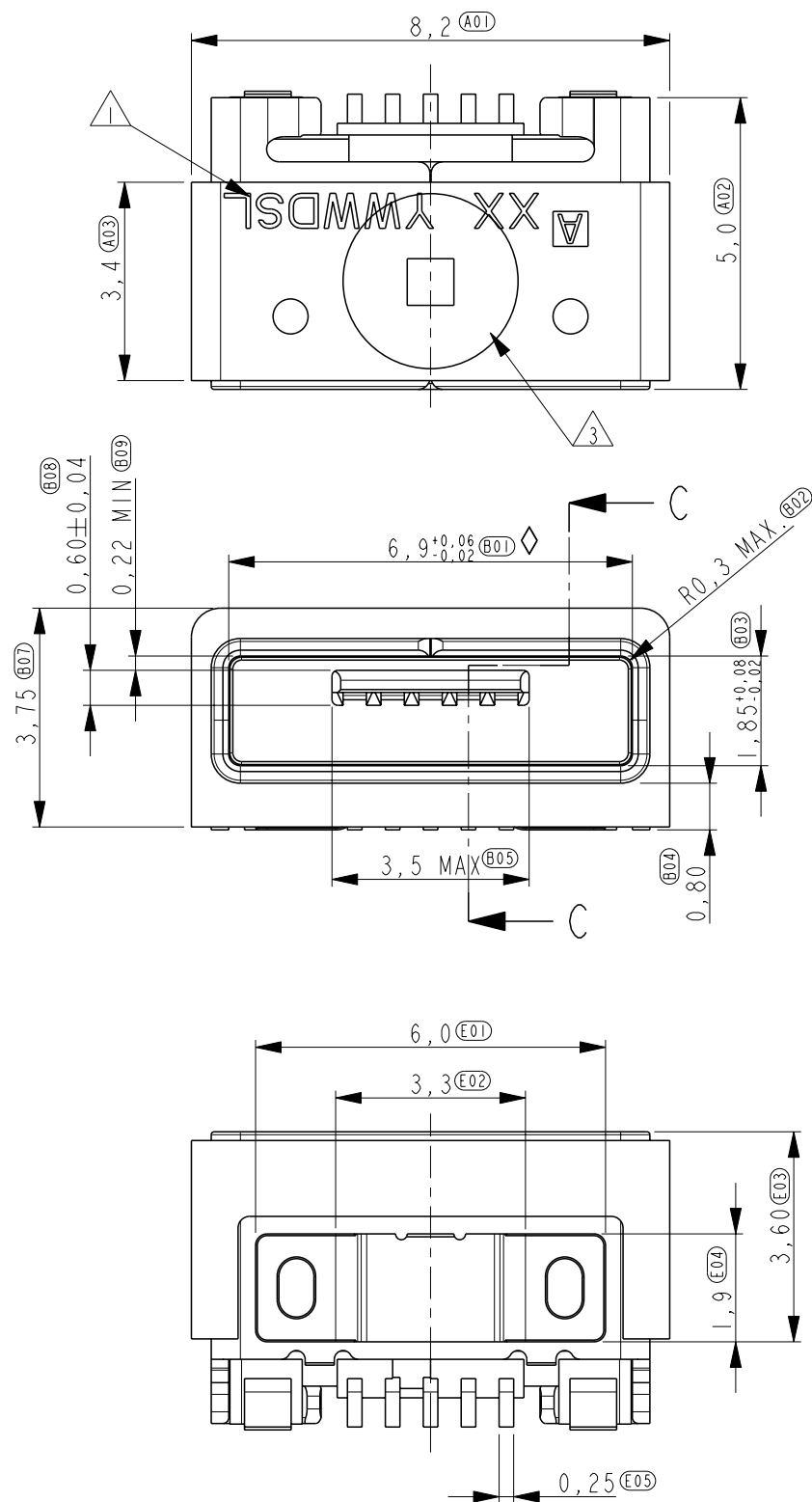


THIS DRAWING IS UNPUBLISHED. RELEASED FOR PUBLICATION 20  
 © COPYRIGHT 20 BY - ALL RIGHTS RESERVED.

LOC	DIST	REVISIONS			
P	LTR	DESCRIPTION	DATE	DWN	APVD
-	-	A	ECR-12-012496	11JUL2012	JvH DH
		B	ECR-12-014942	22AUG2012	WJ DH
		B1	ECR-12-015266	28AUG2012	WJ DH
		B2	ECR-13-013765	30AUG2013	JvH DH



NOTES:  
 1 VERSION: XX, PRODUCTION DATE: YYWW, SHIFT CODE: S, PRODUCTION LINE NO: L.  
 2 COPLANARITY OF 11 SOLDER SURFACES 0,08 MAX.  
 3 PICK AND PLACE AREA Ø3

TE PN: 1551629-2  
 TE PN FOR LOW MOQ: 1551629-3

THIS DRAWING IS A CONTROLLED DOCUMENT.

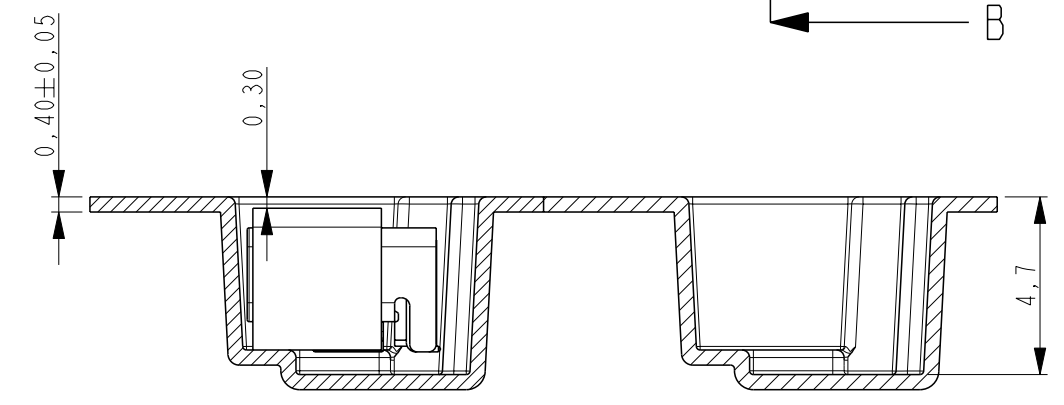
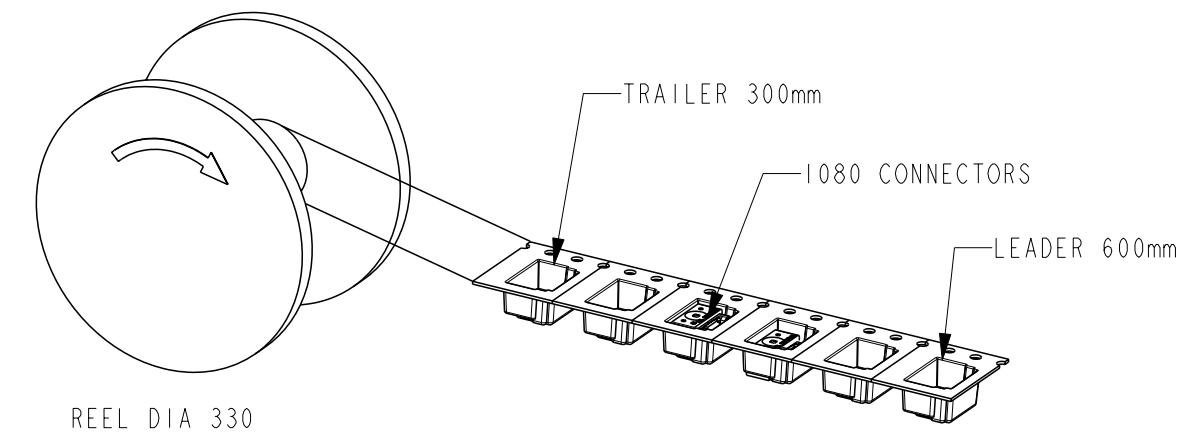
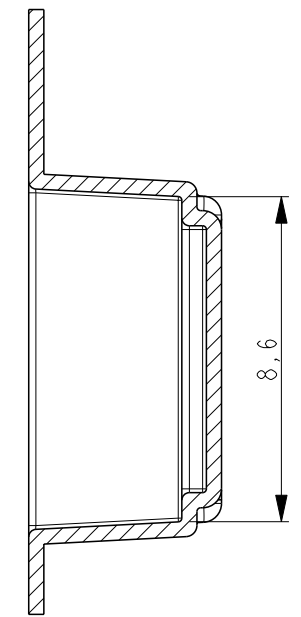
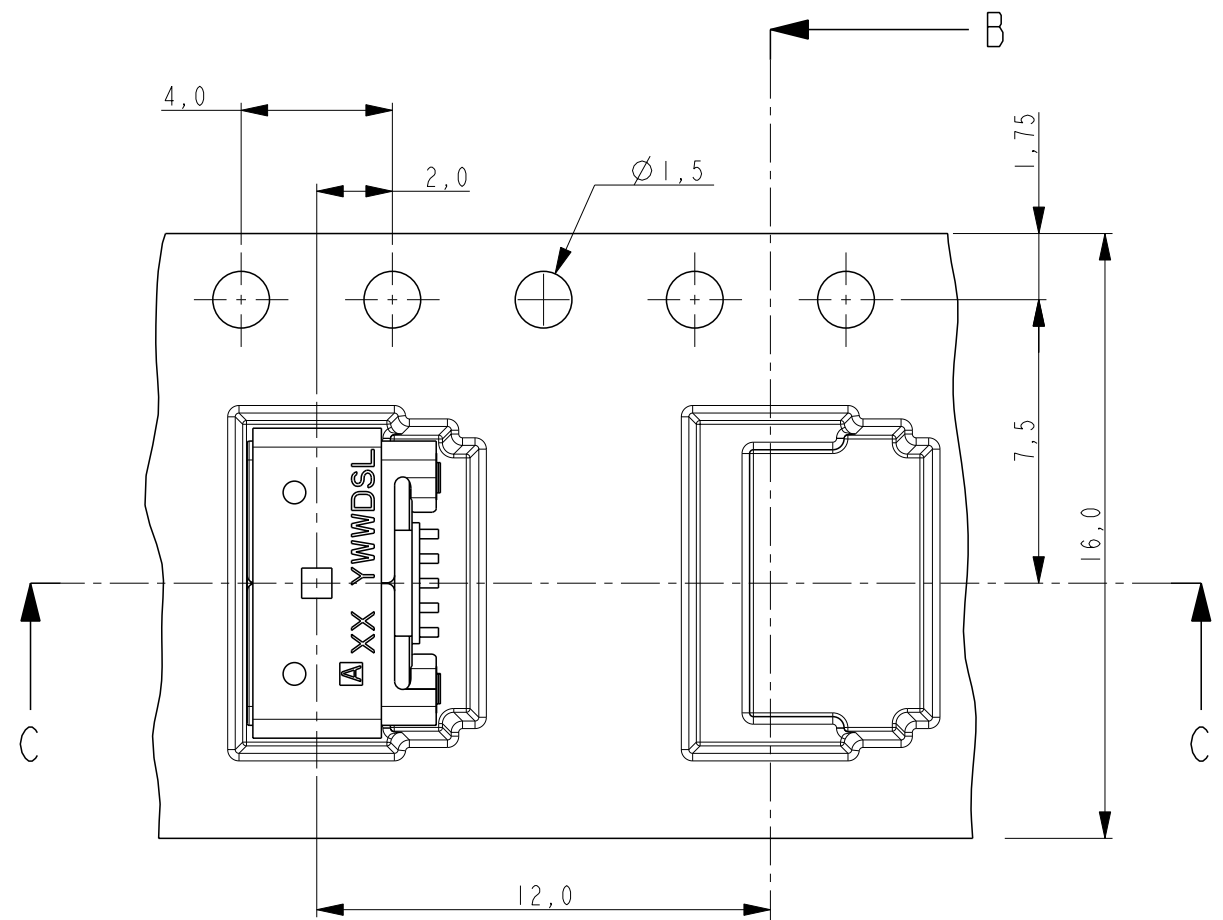
DIMENSIONS:	TOLERANCES UNLESS OTHERWISE SPECIFIED:
mm	0 PLC ±0,2
	1 PLC ±0,1
	2 PLC ±0,1
	3 PLC ±0,025
	4 PLC ±0,001
	ANGLES ±2°
MATERIAL	FINISH

ITEM NO.	DESCRIPTION	MATERIAL	FINISH
4	SLEEVE	LCP	
3	SHELL	STAINLESS STEEL	Tin over Nickel plating
2	CONTACT	COPPER ALLOY	Gold over Nickel plating
1	HOUSING	LCP	

DWN	04APR2010	 TE Connectivity	NAME SPLASH-PROOF MICRO USB AB-TYPE 0,8 mm OFFSET		
CHK	04APR2010				
APVD	04APR2010				
PRODUCT SPEC					
APPLICATION SPEC		SIZE	CAGE CODE	DRAWING NO	RESTRICTED TO
WEIGHT	0,33 gr	A3	00779	C=1551629	-
Customer Drawing		SCALE	SHEET	OF	REV
		8:1	1	3	B2


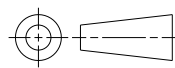
LOC	DIST	REVISIONS			
P	LTR	DESCRIPTION	DATE	DWN	APVD
-	-	SEE SHEET 1	-	-	-



SECTION C-C

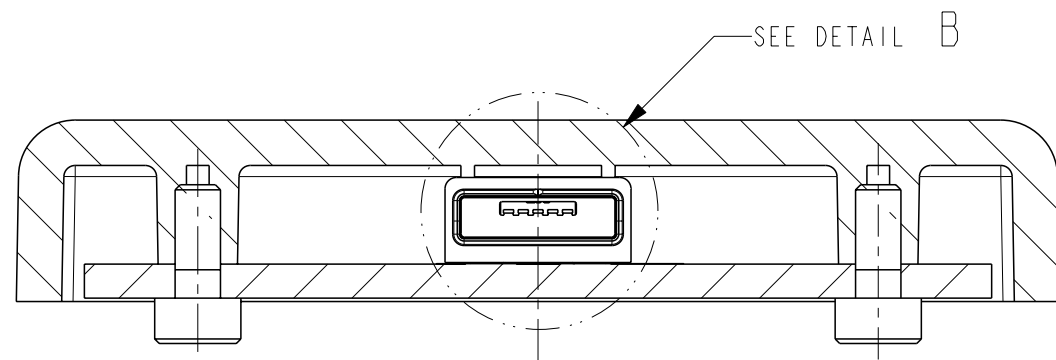
SECTION B-B

NOTES: COVER, EMOSS TAPE AND REEL ACCODING EIA STANDARD 481-D

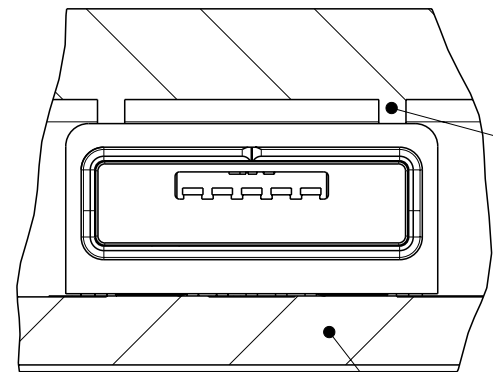
THIS DRAWING IS A CONTROLLED DOCUMENT.		DWN W. Jansen 04APR2010	 <b>TE Connectivity</b>	
DIMENSIONS: mm		CHK W. Jansen 04APR2010		
TOLERANCES UNLESS OTHERWISE SPECIFIED:		APVD D. Halberstadt 04APR2010	NAME SPLASH-PROOF MICRO USB AB-TYPE 0,8 mm OFFSET	
		PRODUCT SPEC -	RESTRICTED TO -	
MATERIAL -		FINISH -	APPLICATION SPEC -	SIZE A3
		WEIGHT 0,33 gr	CAGE CODE 00779	DRAWING NO C=1551629
		Customer Drawing	SCALE 8:1	SHEET 2 OF 3
				REV B2

THIS DRAWING IS UNPUBLISHED. RELEASED FOR PUBLICATION 20  
 © COPYRIGHT 20 BY - ALL RIGHTS RESERVED.

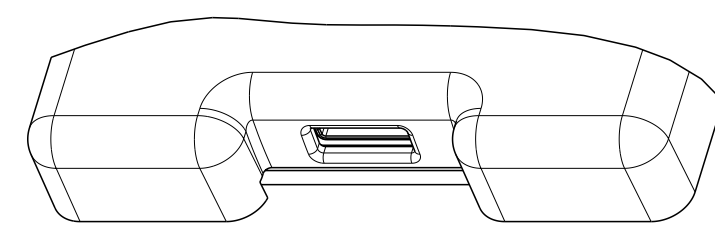
LOC	DIST	REVISIONS			
P	LTR	DESCRIPTION	DATE	DWN	APVD
-	-	SEE SHEET 1	-	-	-



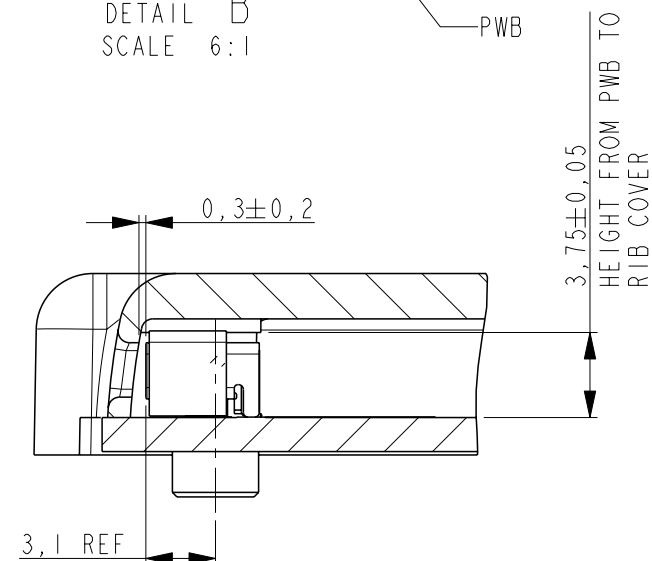
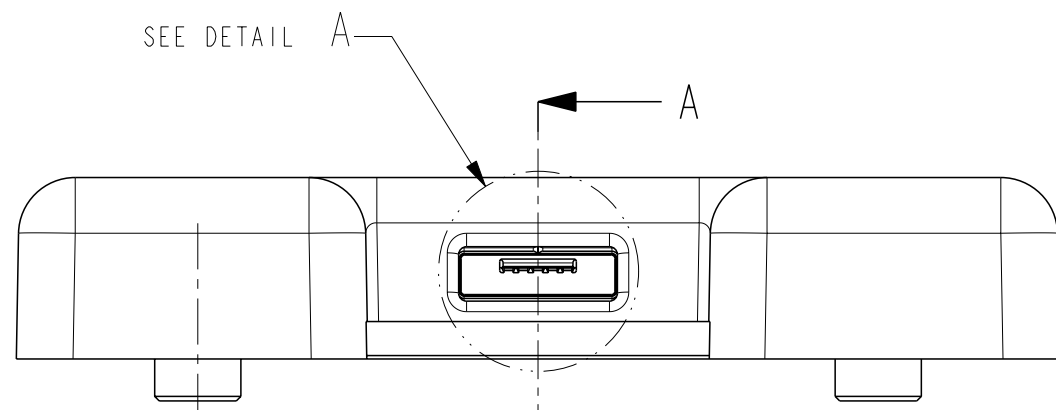
SECTION D-D



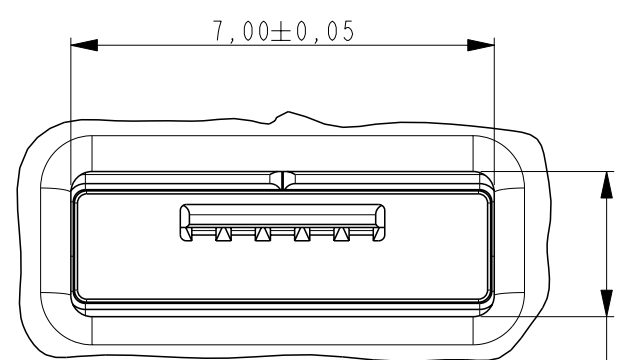
DETAIL B  
SCALE 6:1



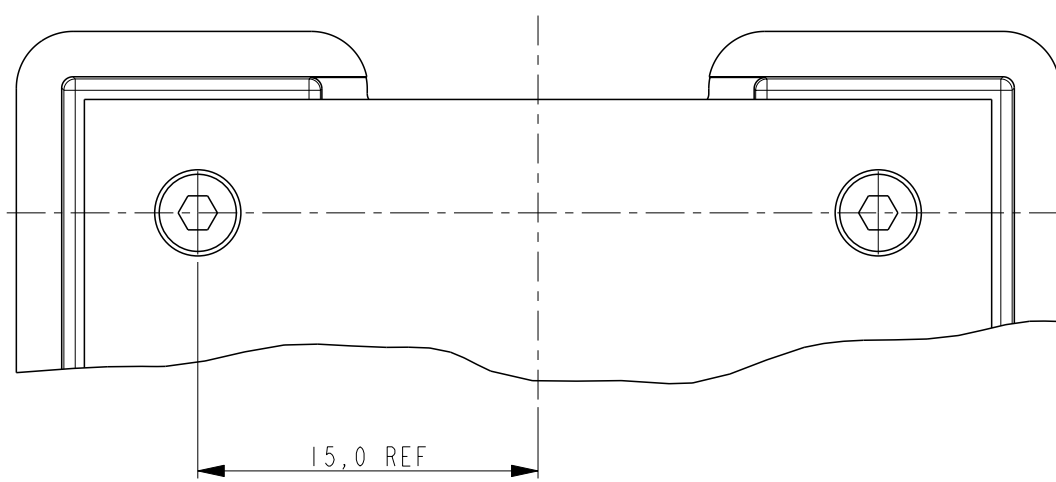
SCALE 2:1



SECTION A-A



RECOMMENDED COVER HOLE SHAPE  
DETAIL A  
SCALE 8:1



15,0 REF

RECOMMENDED PWB AND COVER ASSEMBLY

THIS DRAWING IS A CONTROLLED DOCUMENT.		DWN W. Jansen 04APR2010	TE Connectivity															
DIMENSIONS: mm		CHK W. Jansen 04APR2010																
TOLERANCES UNLESS OTHERWISE SPECIFIED:		APVD D. Halberstadt 04APR2010	NAME SPLASH-PROOF MICRO USB AB-TYPE 0,8 mm OFFSET															
<table border="0"> <tr> <td>0 PLC</td> <td>±0,2</td> </tr> <tr> <td>1 PLC</td> <td>±0,1</td> </tr> <tr> <td>2 PLC</td> <td>±0,1</td> </tr> <tr> <td>3 PLC</td> <td>±0,025</td> </tr> <tr> <td>4 PLC</td> <td>±0,001</td> </tr> <tr> <td>ANGLES</td> <td>±2°</td> </tr> </table>		0 PLC	±0,2	1 PLC	±0,1	2 PLC	±0,1	3 PLC	±0,025	4 PLC	±0,001	ANGLES	±2°	PRODUCT SPEC -	SIZE A3	CAGE CODE 00779	DRAWING NO C-1551629	RESTRICTED TO -
0 PLC	±0,2																	
1 PLC	±0,1																	
2 PLC	±0,1																	
3 PLC	±0,025																	
4 PLC	±0,001																	
ANGLES	±2°																	
MATERIAL -		FINISH -	WEIGHT 0,33 gr	Customer Drawing		SCALE 8:1	SHEET 3 OF 3	REV B2										

# Mouser Electronics

Authorized Distributor

Click to View Pricing, Inventory, Delivery & Lifecycle Information:

[TE Connectivity:](#)

[1551629-3](#)