

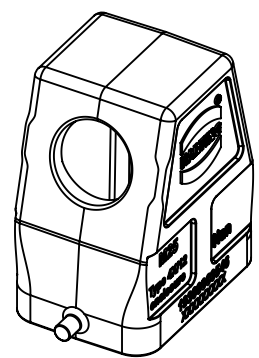
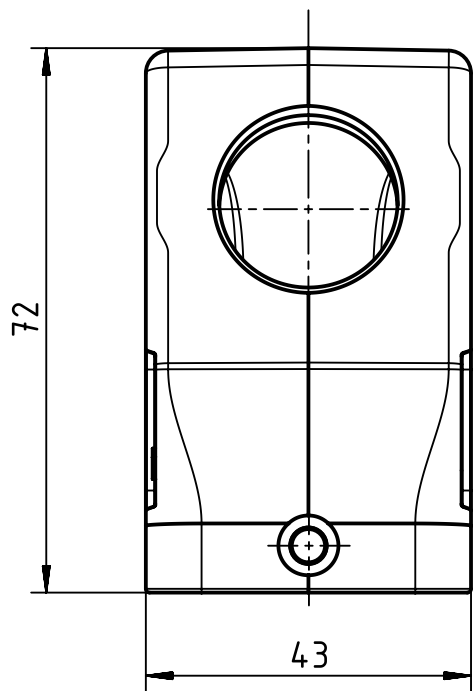
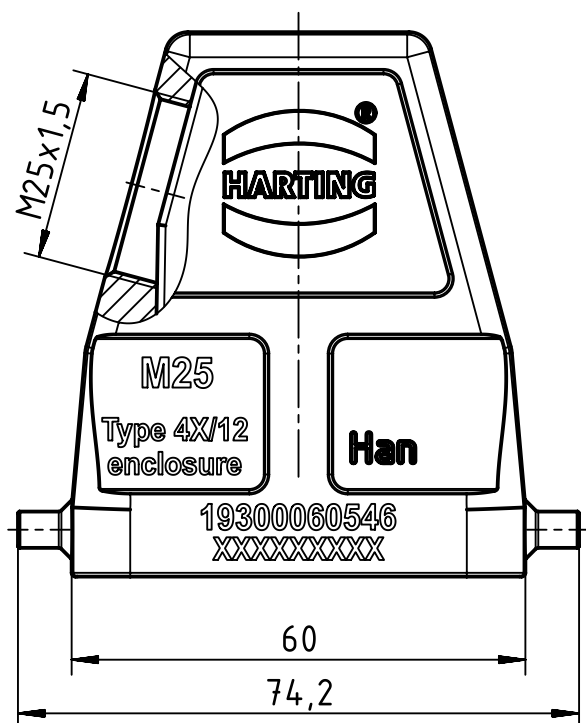
1 2 3 4 5 6


A

B

C

D



	All Dimensions in mm Original Size DIN A4		Scale 1:1		Free size tol.		Ref. Sub. TB 19 30 006 0546 v. 19.02.09						
	All rights reserved Department EL PD		Created by RULLKOETTER		Inspected by BERGHORN		Standardisation TIEMANNA						
HARTING Electric GmbH & Co. KG D-32339 Espelkamp		Title Han B Hood Side Entry HC 2 Pegs M25					Date 2016-10-14		State Final Release				
		Type TB		Number 19 30 006 0546				Doc-Key / ECM-Nr. 100204382/UGD/004/A 500000109725		Rev. A		Page 1/1	

# Mouser Electronics

Authorized Distributor

Click to View Pricing, Inventory, Delivery & Lifecycle Information:

[HARTING:](#)

[19300060546](#)