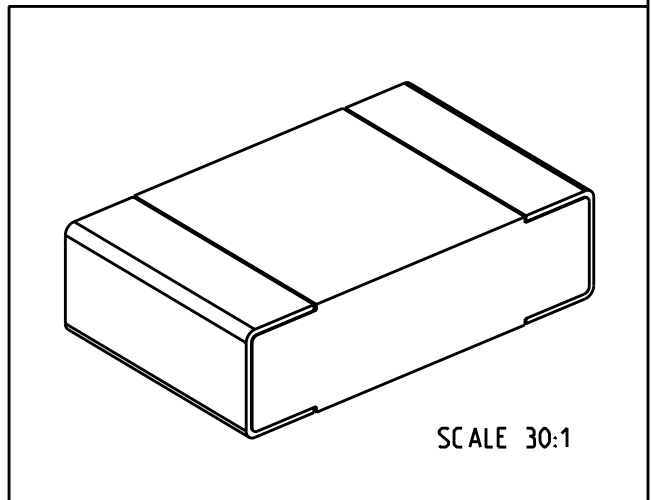


LOC	DIST	REVISIONS					
E	B	P	LTR	DESCRIPTION	DATE	DWN	APVD
			BA	NEW RELEASE	06-AUG-09	SM	SI.P

FOR FURTHER INFORMATION SEE DATA SHEET FOR
CRG SERIES-THICK FILM CHIP RESISTORS



RoHS Compliant



2009

RELEASED FOR PUBLICATION

THIS DRAWING IS UNPUBLISHED.

BY TYCO ELECTRONICS CORPORATION. ALL RIGHTS RESERVED.

© COPYRIGHT 2009

DIMENSIONS:		DWN	06-AUG-09	MATERIAL	-	FINISH	-
mm		SUBHASH.M		Tyco Electronics Corporation Dorcan, Swindon, SN3 5HH			
TOLERANCES UNLESS OTHERWISE SPECIFIED:		CHK	06-AUG-09				
0 PLC	± 0.5	ALLAN.P		NAME THICK FILM CHIP RESISTORS SERIES CRG 0805			
1 PLC	± 0.2	APVD	06-AUG-09				
2 PLC	± 0.1	STEPHEN.P		SIZE	CAGE CODE	DRAWING NO	RESTRICTED TO
3 PLC	± -	PRODUCT SPEC	-	A 4	00779	C- 1623278	-
4 PLC	± -	APPLICATION SPEC	-	CUSTOMER DRAWING			
ANGLES	± 5°	WEIGHT	-	SCALE	40:1	SHEET	1 OF 1
						REV	BA

Mouser Electronics

Authorized Distributor

Click to View Pricing, Inventory, Delivery & Lifecycle Information:

[TE Connectivity:](#)

[CRG0805F6K8](#)