

4

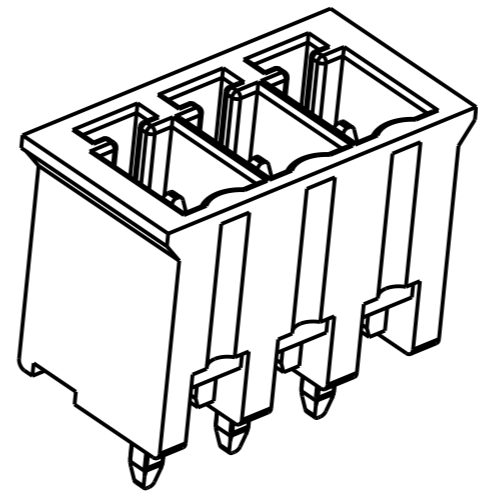
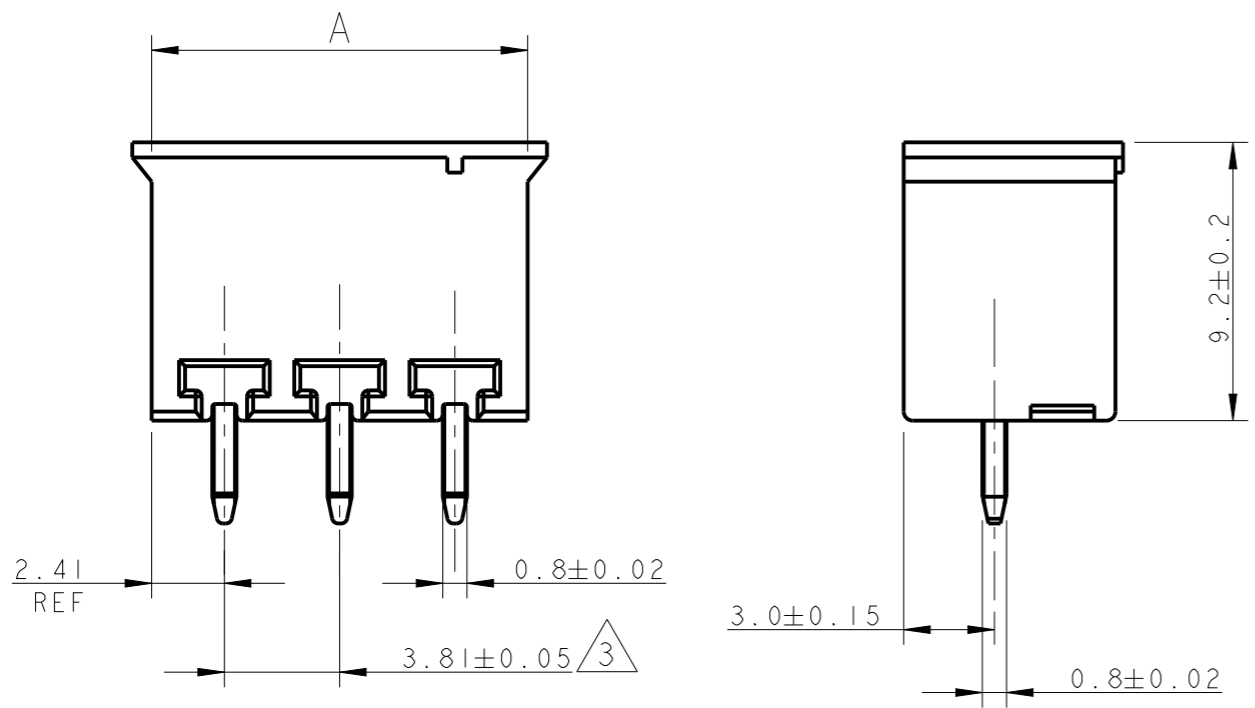
3

2

1

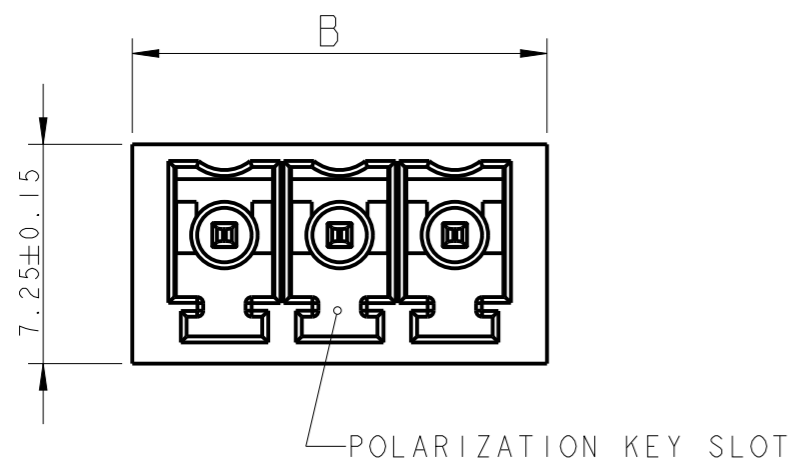
THIS DRAWING IS UNPUBLISHED. RELEASED FOR PUBLICATION 20
© COPYRIGHT 20 BY - ALL RIGHTS RESERVED.

REVISIONS					
P	LTR	DESCRIPTION	DATE	DWN	APVD
	C2	REVISED PER ECO-14-015436	13OCT2014	NK	MM

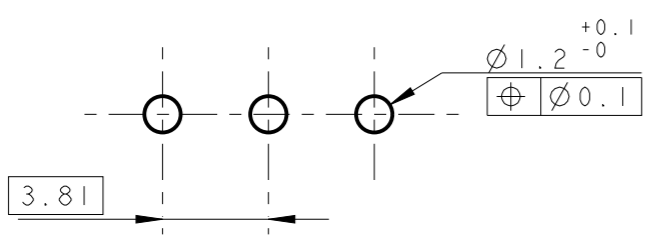


284517-3 AS SHOWN

	B	A	NO OF POS	PART NUMBER
5	17.53	16.25	4	2-284517-6
4	97.54	96.26	25	2-284517-5
	93.73	92.45	24	2-284517-4
	89.92	88.64	23	2-284517-3
	86.11	84.83	22	2-284517-2
	82.30	81.02	21	2-284517-1
	78.49	77.21	20	2-284517-0
	74.68	73.40	19	1-284517-9
	70.87	69.59	18	1-284517-8
	67.06	65.78	17	1-284517-7
	63.25	61.97	16	1-284517-6
	59.44	58.16	15	1-284517-5
	55.63	54.35	14	1-284517-4
	51.82	50.54	13	1-284517-3
	48.01	46.73	12	1-284517-2
	44.20	42.92	11	1-284517-1
	40.39	39.11	10	1-284517-0
	36.58	35.30	9	284517-9
	32.77	31.49	8	284517-8
	28.96	27.68	7	284517-7
	25.15	23.87	6	284517-6
	21.34	20.06	5	284517-5
	17.53	16.25	4	284517-4
	13.72	12.44	3	284517-3
	9.91	8.63	2	284517-2



- 1 MATERIALS AND FINISH
HOUSING : PA 6.6, UL 94-V0, COLOR GREEN
TERMINAL : PHOSPHOR BRONZE, TIN PLATED
- 2 SUITABLE FOR 1.6-2.4 mm. PC BOARD THICKNESS
- 3 NOT CUMULATIVE TOLERANCE
- 4 HOUSING: PA 6.6, UL 94-V0, COLOR:RED
- 5 PRELIMINARY - NOT RELEASED FOR PRODUCTION



RECOMMENDED PC BOARD LAYOUT

THIS DRAWING IS A CONTROLLED DOCUMENT.		DWN E. ZANOLINI 06FEB2002	TE Connectivity	
DIMENSIONS: mm		CHK E. ZANOLINI 06FEB2002		
TOLERANCES UNLESS OTHERWISE SPECIFIED:		APVD D. BIEVENOUR 06FEB2002	NAME TERMINAL BLOCK, HEADER ASSEMBLY STRAIGHT, CLOSED ENDS 3.81mm PITCH	
0 PLC ±- 1 PLC ±0.30 2 PLC ±0.25 3 PLC ±- 4 PLC ±- ANGLES ±2°		PRODUCT SPEC 108-20166	SIZE A300779	CAGE CODE C-284517
MATERIAL		APPLICATION SPEC 114-20079	DRAWING NO	RESTRICTED TO
FINISH		WEIGHT -	SCALE 4:1	
		CUSTOMER DRAWING	SHEET 1 OF 1	
			REV C2	

Mouser Electronics

Authorized Distributor

Click to View Pricing, Inventory, Delivery & Lifecycle Information:

[TE Connectivity:](#)

[1-284517-2](#)