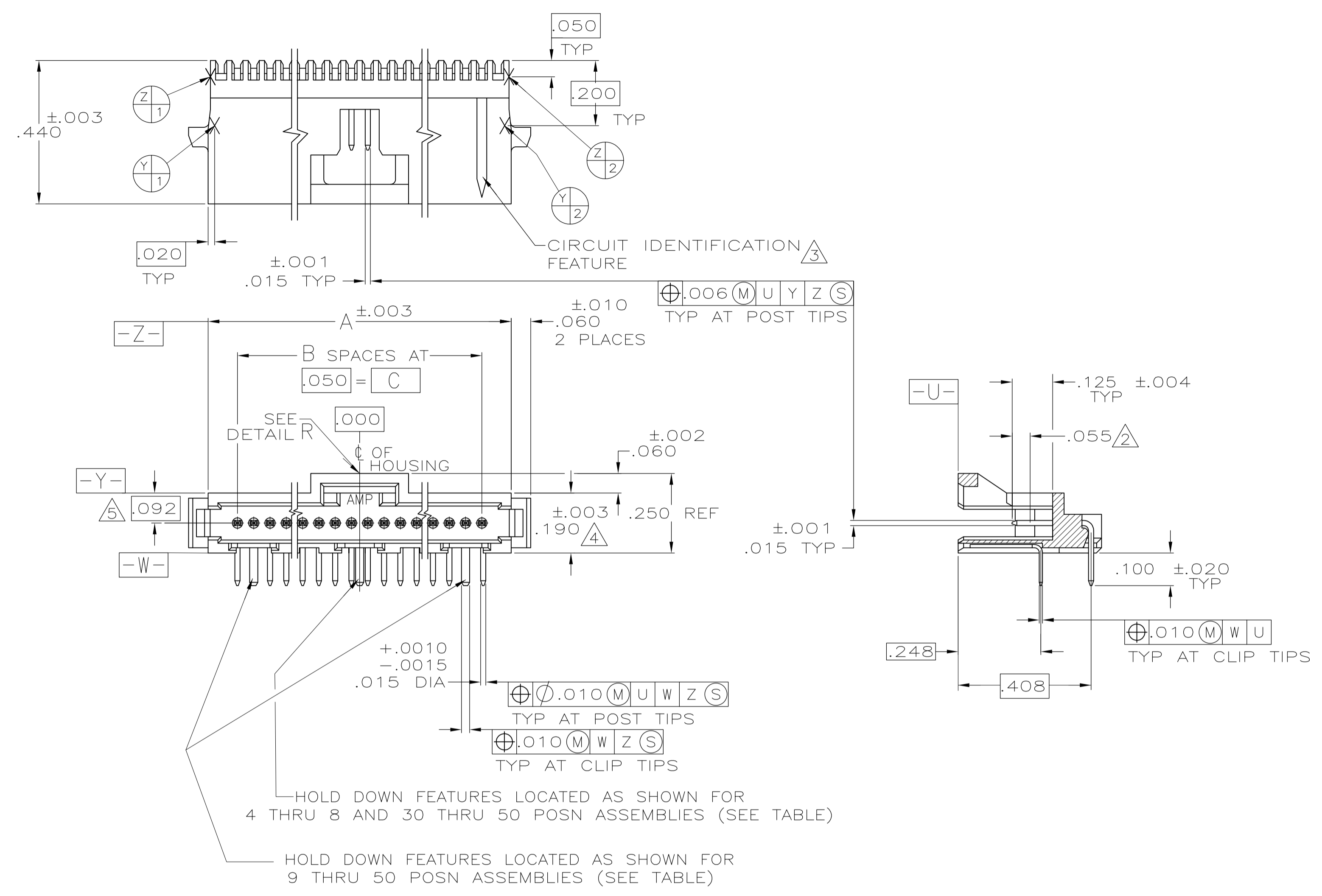
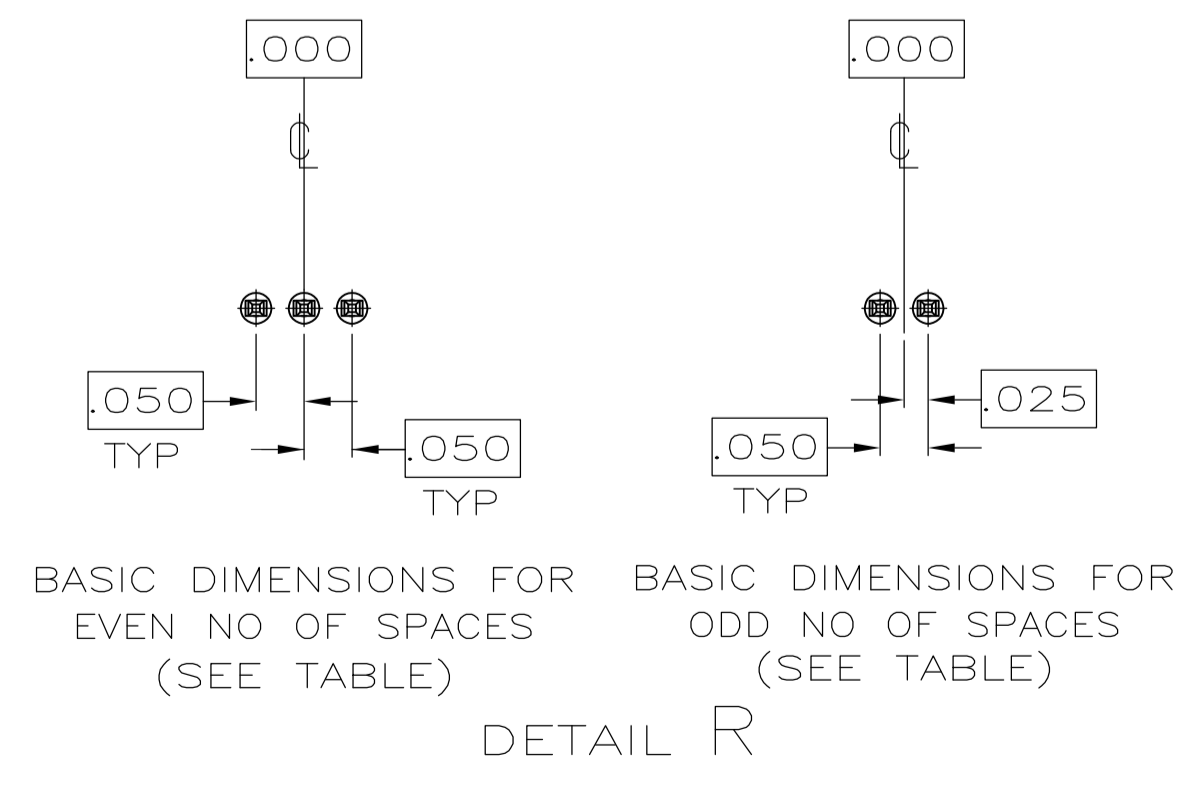
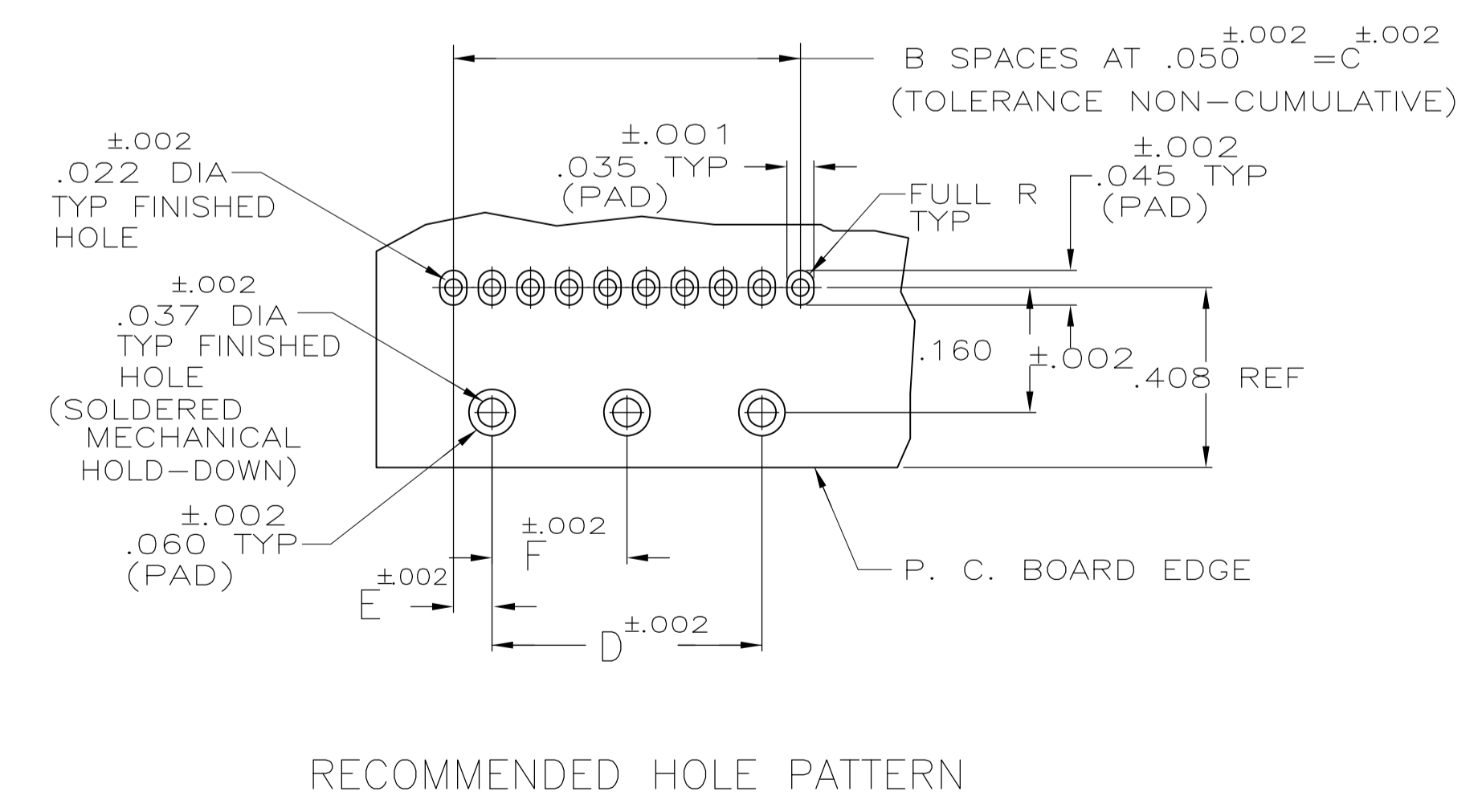


LOC	DIST	REVISIONS			
P	LTR	DESCRIPTION	DATE	DN	APPD
AD	00	U	REVISED PER ECO-14-004696	07APR2014	NK JO



- 1 CONTACT AREAS PLATED WITH .000030 GOLD,SOLDER TAILS PLATED WITH .000150 TIN-LEAD,ALL OVER .000050 NICKEL
- 2 POINT OF MEASUREMENT FOR GOLD THICKNESS
- 3 CIRCUIT IDENTIFICATION FEATURE OMITTED ON 4,5,6 & 7 POSITION HEADER ASSEMBLIES
- 4 DIMENSION APPLIES AT BASE OF SHROUD
- 5 THE NOTED DIMENSIONS APPLY AT THE INTERSECTION OF THE POST AND HOUSING
- 6 CONTACT AREAS PLATED WITH .000030 GOLD, SOLDER TAILS PLATED WITH .000150 TIN, ALL OVER .000050 NICKEL.
- 7 MATERIAL: HOUSING- THERMOPLASTIC, COLOR-BLACK CONTACT- COPPER ALLOY
- 8 FINISH: .000001 MIN GOLD ON GOLD PLATED AREA, .000150-.000250 MATTE TIN-LEAD ON TIN PLATED AREA. UNDER PLATING TO BE .000050-.000100 NICKEL ON ENTIRE CONTACT
- 9 FINISH: .000001 MIN GOLD ON GOLD PLATED AREA, .000150-.000250 MATTE TIN ON TIN PLATED AREA. UNDER PLATING TO BE .000050-.000100 NICKEL ON ENTIRE CONTACT."
- 10 PRELIMINARY - NOT FOR PRODUCTION
- 11 OBSOLETE PARTS: OBSOLETE CIS STREAMLINING PER D.RENAUD/D.SINISI
- 12 SUPERSEDED BY 6-104074-6
- 13 OBSOLETE



THIS DRAWING IS A CONTROLLED DOCUMENT.

DIMENSIONS:	TOLERANCES UNLESS OTHERWISE SPECIFIED:	DIN R BROWN 18OCT04	NAME	TE Connectivity
INCHES		CHK D SIMPSON 18OCT04	PRODUCT SPEC	HEADER ASSEMBLY,RIGHT ANGLE SINGLE ROW, W/SIDE & END LATCHES AMPMODU SYSTEM 50
		APPD D SIMPSON 18OCT04	APPLICATION SPEC	108-1093
			SIZE	A1
			CAGE CODE	100779
			DRAWING NO	104074
			RESTRICTED TO	
MATERIAL	FINISH	WEIGHT	CUSTOMER DRAWING	
	SEE TABLE		SCALE	4:1
			SHEET	1 OF 2
			REV	U

9	.625	.050	1.250	1.350	27	1.530	28	9-104074-0
	1.175	.050	2.350	2.450	49	2.630	50	8-104074-9
	1.050	.050	2.100	2.200	44	2.380	45	8-104074-8
	.925	.050	1.850	1.950	39	2.130	40	8-104074-7
	.825	.050	1.650	1.750	35	1.930	36	8-104074-6
	.600	.050	1.200	1.300	26	1.480	27	8-104074-5
	-	.050	.950	1.050	21	1.230	22	8-104074-4
	-	.050	.700	.800	16	.980	17	8-104074-3
	-	.050	.500	.600	12	.780	13	8-104074-2
	-	.050	.450	.550	11	.730	12	8-104074-1
	-	.175	-	.350	7	.530	8	8-104074-0
	-	.150	-	.300	6	.480	7	7-104074-9
	-	.125	-	.250	5	.430	6	7-104074-8
	-	.075	-	.150	3	.330	4	7-104074-7
	.675	.050	1.350	1.450	29	1.630	30	7-104074-6
	-	.050	1.100	1.200	24	1.380	25	7-104074-5
	-	.050	.850	.950	19	1.130	20	7-104074-4
	-	.050	.600	.700	14	.880	15	7-104074-3
	-	.100	-	.200	4	.380	5	7-104074-2
	-	.050	.350	.450	9	.630	10	7-104074-1
6	.625	.050	1.250	1.350	27	1.530	28	7-104074-0
	1.175	.050	2.350	2.450	49	2.630	50	6-104074-9
	1.050	.050	2.100	2.200	44	2.380	45	6-104074-8
	.925	.050	1.850	1.950	39	2.130	40	6-104074-7
	.825	.050	1.650	1.750	35	1.930	36	6-104074-6
	.600	.050	1.200	1.300	26	1.480	27	6-104074-5
	-	.050	.950	1.050	21	1.230	22	6-104074-4
	-	.050	.700	.800	16	.980	17	6-104074-3
	-	.050	.500	.600	12	.780	13	6-104074-2
	-	.050	.450	.550	11	.730	12	6-104074-1
	-	.175	-	.350	7	.530	8	6-104074-0
	-	.150	-	.300	6	.480	7	5-104074-9
	-	.125	-	.250	5	.430	6	5-104074-8
	-	.075	-	.150	3	.330	4	5-104074-7
	.675	.050	1.350	1.450	29	1.630	30	5-104074-6
	-	.050	1.100	1.200	24	1.380	25	5-104074-5
	-	.050	.850	.950	19	1.130	20	5-104074-4
	-	.050	.600	.700	14	.880	15	5-104074-3
	-	.100	-	.200	4	.380	5	5-104074-2
	-	.050	.350	.450	9	.630	10	5-104074-1
FINISH	F	E	D	C	B	A	NO OF POSN	PART NUMBER

8	.625	.050	1.250	1.350	27	1.530	28	4-104074-0
	1.175	.050	2.350	2.450	49	2.630	50	3-104074-9
	1.050	.050	2.100	2.200	44	2.380	45	3-104074-8
	.925	.050	1.850	1.950	39	2.130	40	3-104074-7
	.825	.050	1.650	1.750	35	1.930	36	3-104074-6
	.600	.050	1.200	1.300	26	1.480	27	3-104074-5
	-	.050	.950	1.050	21	1.230	22	3-104074-4
	-	.050	.700	.800	16	.980	17	3-104074-3
	-	.050	.500	.600	12	.780	13	3-104074-2
	-	.050	.450	.550	11	.730	12	3-104074-1
	-	.175	-	.350	7	.530	8	3-104074-0
	-	.150	-	.300	6	.480	7	2-104074-9
	-	.125	-	.250	5	.430	6	2-104074-8
	-	.075	-	.150	3	.330	4	2-104074-7
	.675	.050	1.350	1.450	29	1.630	30	2-104074-6
	-	.050	1.100	1.200	24	1.380	25	2-104074-5
	-	.050	.850	.950	19	1.130	20	2-104074-4
	-	.050	.600	.700	14	.880	15	2-104074-3
	-	.100	-	.200	4	.380	5	2-104074-2
	-	.050	.350	.450	9	.630	10	2-104074-1
1	.625	.050	1.250	1.350	27	1.530	28	2-104074-0
	1.175	.050	2.350	2.450	49	2.630	50	1-104074-9
	1.050	.050	2.100	2.200	44	2.380	45	1-104074-8
	.925	.050	1.850	1.950	39	2.130	40	1-104074-7
	.825	.050	1.650	1.750	35	1.930	36	1-104074-6
	.600	.050	1.200	1.300	26	1.480	27	1-104074-5
	-	.050	.950	1.050	21	1.230	22	1-104074-4
	-	.050	.700	.800	16	.980	17	1-104074-3
	-	.050	.500	.600	12	.780	13	1-104074-2
	-	.050	.450	.550	11	.730	12	1-104074-1
	-	.175	-	.350	7	.530	8	1-104074-0
	-	.150	-	.300	6	.480	7	104074-9
	-	.125	-	.250	5	.430	6	104074-8
	-	.075	-	.150	3	.330	4	104074-7
	.675	.050	1.350	1.450	29	1.630	30	104074-6
	-	.050	1.100	1.200	24	1.380	25	104074-5
	-	.050	.850	.950	19	1.130	20	104074-4
	-	.050	.600	.700	14	.880	15	104074-3
	-	.100	-	.200	4	.380	5	104074-2
	-	.050	.350	.450	9	.630	10	104074-1
FINISH	F	E	D	C	B	A	NO OF POSN	PART NUMBER

THIS DRAWING IS A CONTROLLED DOCUMENT. DWN R BROWN 18OCT04
 CHK D SIMPSON 18OCT04
 APVD D SIMPSON 18OCT04 NAME
 PRODUCT SPEC 108-1093
 APPLICATION SPEC 114-25031
 WEIGHT -
 CUSTOMER DRAWING

TE Connectivity
 HEADER ASSEMBLY, RIGHT ANGLE
 SINGLE ROW, W/SIDE & END LATCHES
 AMPMODU SYSTEM 50

SIZE A1 CAGE CODE DRAWING NO 00779 ©=104074
 SCALE 4:1 SHEET 2 OF 2 REV U

Mouser Electronics

Authorized Distributor

Click to View Pricing, Inventory, Delivery & Lifecycle Information:

[TE Connectivity:](#)

[104074-5](#)