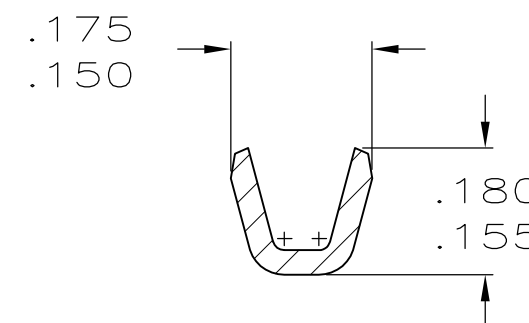
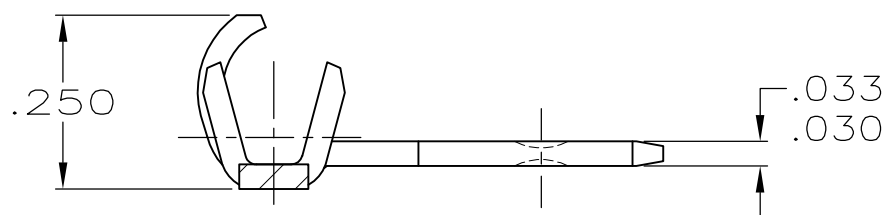
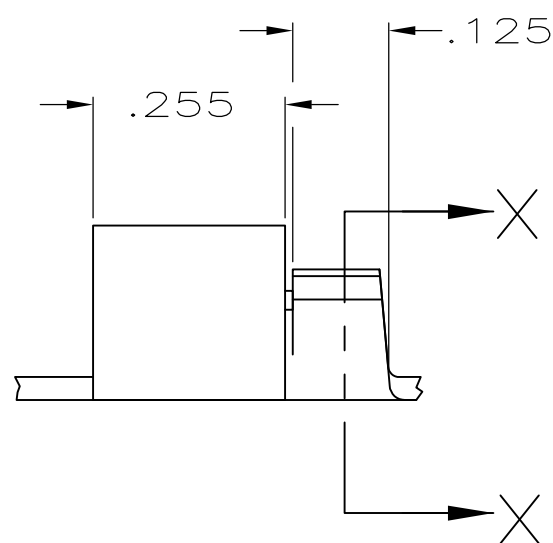
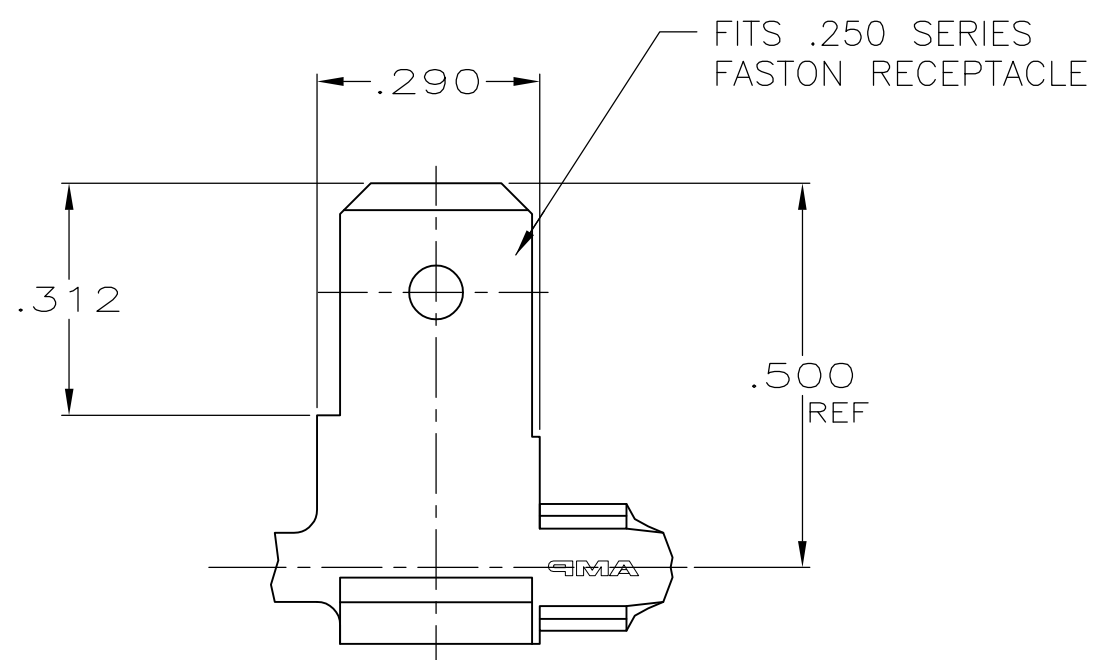


THIS DRAWING IS UNPUBLISHED. RELEASED FOR PUBLICATION
 © COPYRIGHT - By - ALL RIGHTS RESERVED.

| LOC | DIST | REVISIONS | | | |
|-----|------|-------------|---------------------------|-----------|-------|
| P | LTR | DESCRIPTION | DATE | DWN | APVD |
| AF | 50 | L | REVISED PER ECR-13-011489 | 06DEC2013 | KH PD |



SECTION X-X

- 1 CONTINUOUS STRIP ON REELS.
- 2 REVERSE REEL OF 42770-2.
- 3 WIRE RANGE IS #18-#14.
- 4 INSULATION RANGE IS .080-.125 DIA.
- 5 REELED WITH INTERLEAVING PAPER.
- 6 PRELIMINARY - NOT FOR PRODUCTION.
- 7 PREPRODUCTION - FASR REQUIRED.

| FINISH | PART NUMBER |
|----------------------|--------------------|
| TIN PLATE | 42770-4 |
| TIN PLATE | 42770-3 |
| TIN PLATE | 42770-2 |
| - | 42770-1 |

| | | | | | |
|--|---------------|------------------------------------|---|--------------------|-----------------------|
| THIS DRAWING IS A CONTROLLED DOCUMENT. | | DWN M.S. FEHER 18MAR2005 | TE Connectivity | | |
| DIMENSIONS: INCHES | | CHK K.A. RANDOLPH 18MAR2005 | | | |
| TOLERANCES UNLESS OTHERWISE SPECIFIED: | | APVD K.A. RANDOLPH 18MAR2005 | NAME TAB, FASTON, FLAG, .250 SERIES | | |
| 0 PLC ± - 1 PLC ± - 2 PLC ± - 3 PLC ± .015 4 PLC ± - ANGLES ± - | | PRODUCT SPEC - | APPLICATION SPEC - | | |
| MATERIAL BRASS | FINISH TIN | WEIGHT - | SIZE A3 | CAGE CODE 00779 | DRAWING NO C-42770 |
| CUSTOMER DRAWING | | | SCALE 4:1 | SHEET 1 OF 1 | REV L |

Mouser Electronics

Authorized Distributor

Click to View Pricing, Inventory, Delivery & Lifecycle Information:

[TE Connectivity:](#)

[42770-2 \(MOUSER REEL\)](#) [42770-2 \(CUT STRIP\)](#)