

INTERCONNECTS

SERIES 800 & 801 • .100" GRID (.030" DIA. PINS), SOLDERLESS PRESS-FIT • SINGLE ROW STRIPS

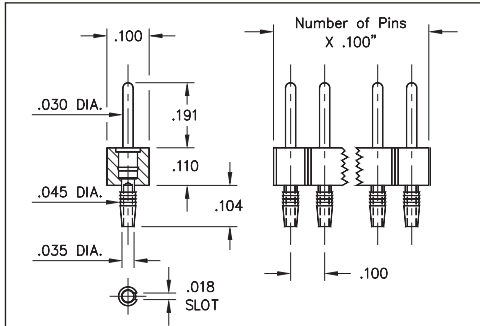


FIG. 1

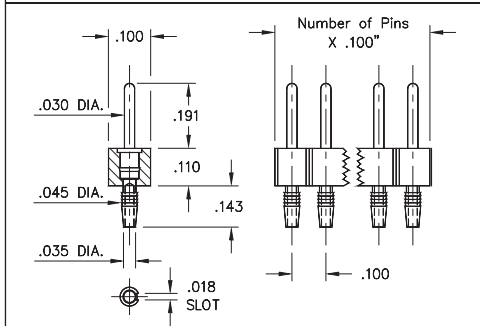


FIG. 2

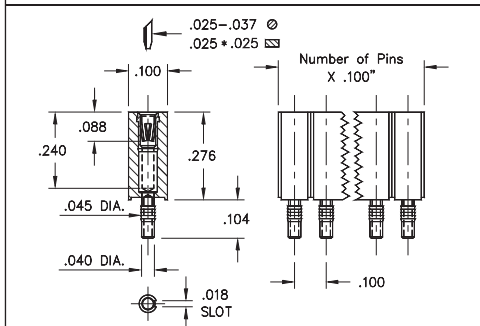


FIG. 3

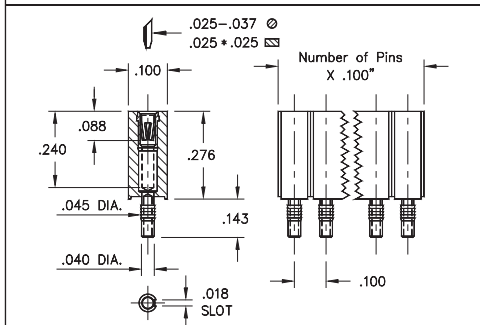
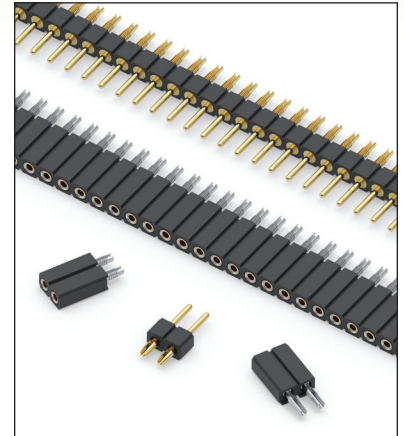


FIG. 4

- The unique compliant tail pins conform to $.040" \pm .003"$ finished hole without stressing inner layers. Patent No. 4,799,904
- Headers and sockets are available for board thicknesses of $.060" - .100"$ and $.090" - .130"$. See ordering information for details
- Series 800 pin headers use MM #5601 and #5602 compliant tail pins featuring a $.030"$ dia. mating lead. See page 220 for details
- Series 801 sockets MM #4614 or #4615 use Hi-Rel, 6-finger BeCu #47 contact rated at 4.5 amps. Receptacles accept $.030"$ diameter pins & $.025"$ square pins. See pg. 256 for details
- Insulators are high temperature thermoplastic



ORDERING INFORMATION

FIG. 1	Compliant Tail Pin Header for .060" - .100" Thick Boards				
	800-XX-0__-61-001000 Specify number of pins 01-64				
FIG. 2	Compliant Tail Pin Header for .090" - .130" Thick Boards				
	800-XX-0__-62-001000 Specify number of pins 01-64				
XX=Plating Code See Below For Electrical, Mechanical & Environmental Data, See page 264					
SPECIFY PLATING CODE XX=		10	90	40	
Pin Plating		10 μ " Au	200 μ " Sn/Pb	200 μ " Sn	

FIG. 3	Compliant Tail Socket for .060" - .100" Thick Boards							
	801-XX-0__-61-001000 Specify number of pins 01-50							
FIG. 4	Compliant Tail Socket for .090" - .130" Thick Boards							
	801-XX-0__-62-001000 Specify number of pins 01-50							
XX=Plating Code See Below For Electrical, Mechanical & Environmental Data, See page 264								
SPECIFY PLATING CODE XX=			91	93	99	41	43	
Sleeve (Pin)			200 μ " Sn/Pb	200 μ " Sn/Pb	200 μ " Sn/Pb	200 μ " Sn	200 μ " Sn	
Contact (Clip)			10 μ " Au	30 μ " Au	100 μ " Sn/Pb	10 μ " Au	30 μ " Au	



Mouser Electronics

Authorized Distributor

Click to View Pricing, Inventory, Delivery & Lifecycle Information:

Mill-Max:

[801-99-050-62-001000](#) [801-99-050-61-001000](#) [801-99-036-62-001000](#) [801-99-036-61-001000](#) [801-93-036-62-001000](#) [801-93-036-61-001000](#) [800-90-064-62-001000](#) [800-90-064-61-001000](#) [800-10-064-61-001000](#) [800-10-064-62-001000](#) [801-93-050-62-001000](#) [801-93-050-61-001000](#) [800-10-001-61-001000](#) [801-43-036-62-001000](#) [801-43-036-61-001000](#) [800-40-064-62-001000](#) [800-40-064-61-001000](#) [801-43-050-62-001000](#) [801-43-050-61-001000](#) [801-93-007-61-001000](#) [800-10-005-62-001000](#) [800-10-022-62-001000](#) [801-43-001-61-001000](#) [800-10-002-62-001000](#) [800-10-002-61-001000](#) [801-93-016-61-001000](#)