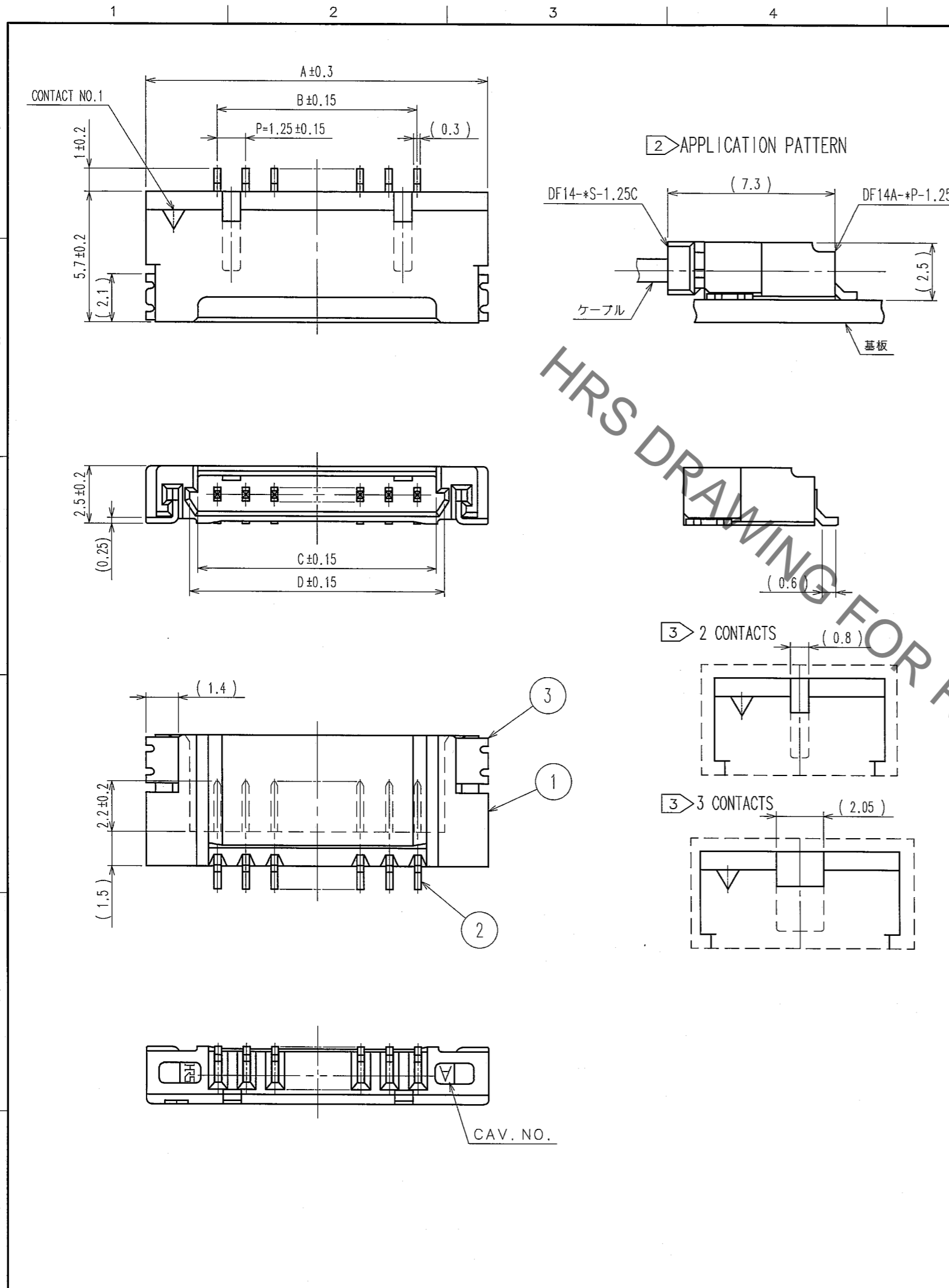


Mar.1.2019 Copyright 2019 HIROSE ELECTRIC CO., LTD. All Rights Reserved.
In case of consideration for using Automotive equipment / device which demand high reliability, kindly contact our sales window correspondents.

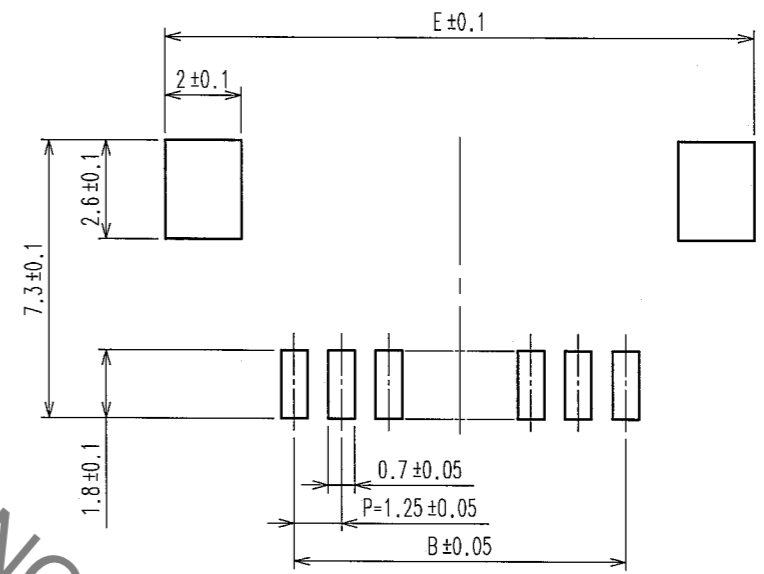


COUNT	DESCRIPTION OF REVISIONS	BY	CHKD	DATE	COUNT	DESCRIPTION OF REVISIONS	BY	CHKD	DATE
△					△				
△					△				
△					△				

PART NO.	HRS NO.	CONTACTS	A	B	C	D	E
DF14A- 2P-1.25H(26)	CL538-0033-3-26	2	7.45	1.25	2.95	3.65	8.05
DF14A- 3P-1.25H(26)	CL538-0034-6-26	3	8.70	2.50	4.20	4.90	9.30
DF14A- 4P-1.25H(26)	CL538-0035-9-26	4	9.95	3.75	5.45	6.15	10.55
DF14A- 5P-1.25H(26)	CL538-0036-1-26	5	11.20	5.00	6.70	7.40	11.80
DF14A- 6P-1.25H(26)	CL538-0037-4-26	6	12.45	6.25	7.95	8.65	13.05
DF14A- 7P-1.25H(26)	CL538-0038-7-26	7	13.70	7.50	9.20	9.90	14.30
DF14A- 8P-1.25H(26)	CL538-0039-0-26	8	14.95	8.75	10.45	11.15	15.55
DF14A- 9P-1.25H(26)	CL538-0040-9-26	9	16.20	10.00	11.70	12.40	16.80
DF14A-10P-1.25H(26)	CL538-0041-1-26	10	17.45	11.25	12.95	13.65	18.05
DF14A-15P-1.25H(26)	CL538-0114-3-26	15	23.70	17.50	19.20	19.90	24.30
DF14A-20P-1.25H(26)	CL538-0119-7-26	20	29.95	23.75	25.45	26.15	30.55
DF14A-25P-1.25H(26)	CL538-0124-7-26	25	36.20	30.00	31.70	32.40	36.80
DF14A-30P-1.25H(26)	CL538-0045-2-26	30	42.45	36.25	37.95	38.65	43.05

HRS DRAWING FOR REFERENCE

RECOMMENDED PATTERN



NOTE 1. LEAD CO-PLANALITY INCLUDE REINFORCED METAL FITTINGS SHALL BE 0.1 MAX.
 2. WHEN THIS CONNECTOR MATES WITH DF14-*S-1.25C, THE MATTING LENGTH IS 7.3mm.
 3. FOR CONNECTORS, 2 OR 3 CONTACTS, SIMPLIFIED LOCK HOLE SHALL BE SET AT THE CENTER OF HOUSING.

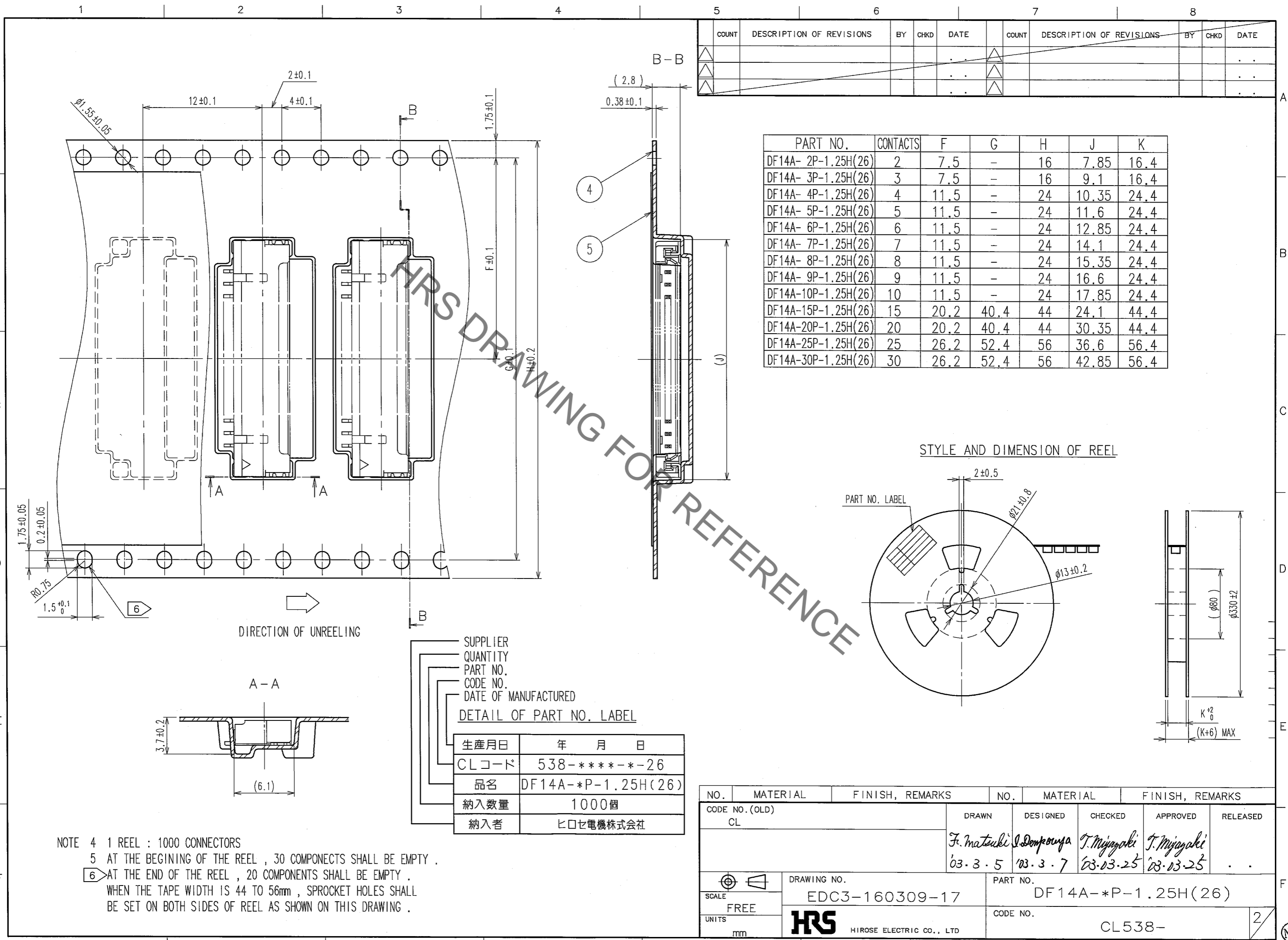
3	PHOSPHOR BRONZE	TIN-COPPER PLATED 1μm min UNDER PLATING: NICKEL PLATED 0.5μm min	5	POLYESTER	CLEAR(COVER TAPE)
2	BRASS	TIN-COPPER PLATED 1μm min UNDER PLATING: NICKEL PLATED 0.5μm min	4	A-PET	CLEAR (EMBOSSED CARRIER TAPE)
1	POLYAMIDE	BEIGE, UL94V-0			
NO.	MATERIAL	FINISH, REMARKS	NO.	MATERIAL	FINISH, REMARKS

CODE NO. (OLD)	DRAWN	DESIGNED	CHECKED	APPROVED	RELEASED
CL	<i>F. Matsuda</i>	<i>J. Denpouya</i>	<i>T. Miyazaki</i>	<i>T. Miyazaki</i>	
	'03. 3. 5	'03. 3. 7	'03. 03. 25	'03. 03. 25	

SCALE	DRAWING NO.	PART NO.
5 : 1	EDC3-160309-17	DF14A-*P-1.25H(26)
UNITS	HRS	CODE NO.
mm	HIROSE ELECTRIC CO., LTD	CL538-

TO

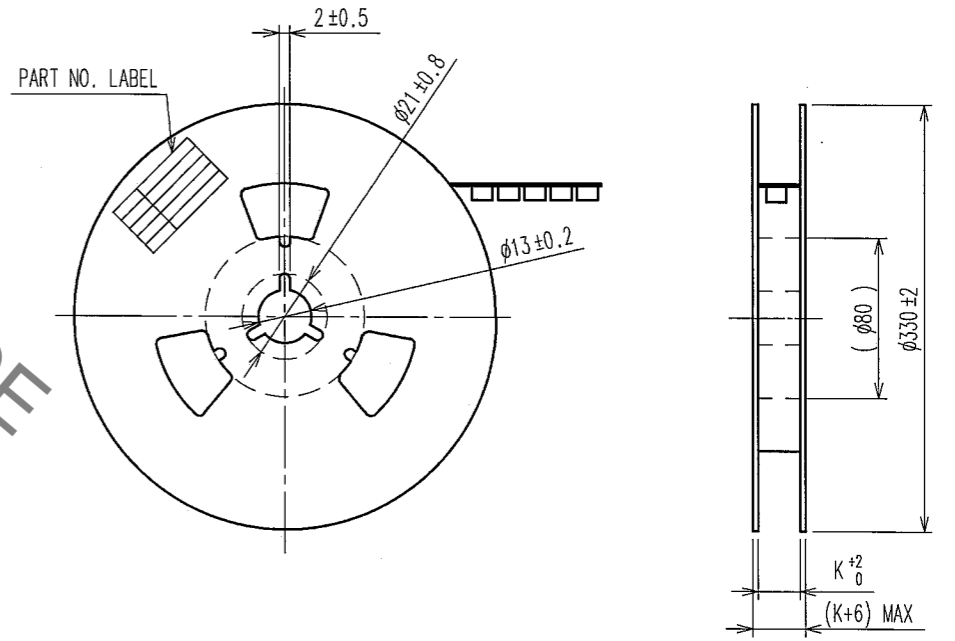
Mar.1.2019 Copyright 2019 HIROSE ELECTRIC CO., LTD. All Rights Reserved.
In case of consideration for using Automotive equipment / device which demand high reliability, kindly contact our sales window correspondents.



COUNT	DESCRIPTION OF REVISIONS	BY	CHKD	DATE	COUNT	DESCRIPTION OF REVISIONS	BY	CHKD	DATE

PART NO.	CONTACTS	F	G	H	J	K
DF14A- 2P-1.25H(26)	2	7.5	-	16	7.85	16.4
DF14A- 3P-1.25H(26)	3	7.5	-	16	9.1	16.4
DF14A- 4P-1.25H(26)	4	11.5	-	24	10.35	24.4
DF14A- 5P-1.25H(26)	5	11.5	-	24	11.6	24.4
DF14A- 6P-1.25H(26)	6	11.5	-	24	12.85	24.4
DF14A- 7P-1.25H(26)	7	11.5	-	24	14.1	24.4
DF14A- 8P-1.25H(26)	8	11.5	-	24	15.35	24.4
DF14A- 9P-1.25H(26)	9	11.5	-	24	16.6	24.4
DF14A-10P-1.25H(26)	10	11.5	-	24	17.85	24.4
DF14A-15P-1.25H(26)	15	20.2	40.4	44	24.1	44.4
DF14A-20P-1.25H(26)	20	20.2	40.4	44	30.35	44.4
DF14A-25P-1.25H(26)	25	26.2	52.4	56	36.6	56.4
DF14A-30P-1.25H(26)	30	26.2	52.4	56	42.85	56.4

STYLE AND DIMENSION OF REEL



SUPPLIER
QUANTITY
PART NO.
CODE NO.
DATE OF MANUFACTURED
DETAIL OF PART NO. LABEL

生産月日	年 月 日
CLコード	538-*****-26
品名	DF14A-*P-1.25H(26)
納入数量	1000個
納入者	ヒロセ電機株式会社

NO.	MATERIAL	FINISH, REMARKS	NO.	MATERIAL	FINISH, REMARKS		
CODE NO. (OLD)	CL		DRAWN	DESIGNED	CHECKED	APPROVED	RELEASED
			F. Matsuki	S. Dompouya	T. Miyazaki	T. Miyazaki	
			03.3.5	03.3.7	03.03.25	03.03.25	
SCALE	FREE	DRAWING NO.	PART NO.				
UNITS	mm	EDC3-160309-17	DF14A-*P-1.25H(26)				
		HRS HIROSE ELECTRIC CO., LTD	CODE NO.				
			CL538-				

NOTE 4 1 REEL : 1000 CONNECTORS
 5 AT THE BEGINING OF THE REEL , 30 COMPONECTS SHALL BE EMPTY .
 6 AT THE END OF THE REEL , 20 COMPONENTS SHALL BE EMPTY .
 WHEN THE TAPE WIDTH IS 44 TO 56mm , SPROCKET HOLES SHALL BE SET ON BOTH SIDES OF REEL AS SHOWN ON THIS DRAWING .

TO

(NC)