

ICM7555, ICM7556

General Purpose Timers

FN2867  
Rev.10.01  
Mar 5, 2020

The [ICM7555](#) and [ICM7556](#) are CMOS RC timers providing significantly improved performance over the standard SE/NE 555/556 and 355 timers, while at the same time being direct replacements for those devices in most applications. Improved parameters include low supply current, wide operating supply voltage range, low Threshold, Trigger and Reset currents, no crowbaring of the supply current during output transitions, higher frequency performance and no requirement to decouple Control Voltage for stable operation.

Specifically, the ICM7555 and ICM7556 are stable controllers capable of producing accurate time delays or frequencies. The ICM7556 is a dual ICM7555, with the two timers operating independently of each other, sharing only V+ and GND. In the one shot mode, the pulse width of each circuit is precisely controlled by one external resistor and capacitor. For astable operation as an oscillator, the free running frequency and the duty cycle are both accurately controlled by two external resistors and one capacitor. Unlike the regular bipolar SE/NE 555/556 devices, the Control Voltage terminal need not be decoupled with a capacitor. The circuits are triggered and reset on falling (negative) waveforms, and the output inverter can source or sink currents large enough to drive TTL loads, or provide minimal offsets to drive CMOS loads.

**Applications**

- Precision timing
- Pulse generation
- Sequential timing
- Time delay generation
- Pulse width modulation
- Pulse position modulation
- Missing pulse detector

**Features**

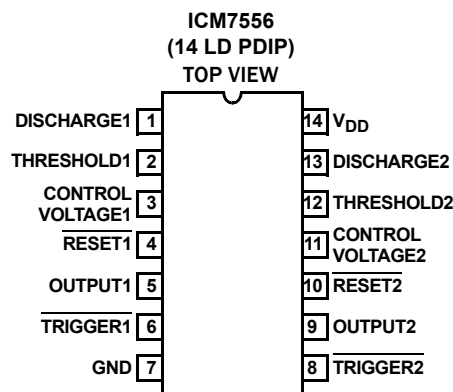
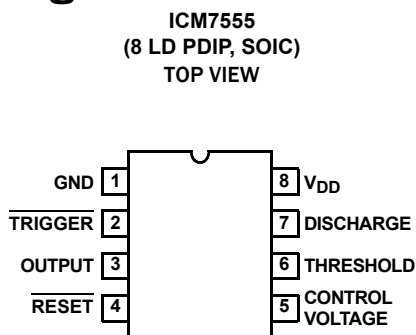
- Exact equivalent in most cases for SE/NE 555/556 or TLC555/556
- Low supply current
  - ICM7555 . . . . . 60µA
  - ICM7556 . . . . . 120µA
- Extremely low input currents . . . . . 20pA
- High speed operation . . . . . 1MHz
- Guaranteed supply voltage range . . . . . 2V to 18V
- Temperature stability . . . . . 0.005%/°C at +25°C
- Normal reset function - no crowbaring of supply during output transition
- Can be used with higher impedance timing elements than regular 555/556 for longer RC time constants
- Timing from microseconds through hours
- Operates in both astable and monostable modes
- Adjustable duty cycle
- High output source/sink driver can drive TTL/CMOS
- Outputs have very low offsets, HIGH and LOW
- Pb-free (RoHS Compliant)

**Related Literature**

For a full list of related documents, visit our website:

- [ICM7555](#) and [ICM7556](#) device pages

**Pin Configurations**



## Ordering Information

PART NUMBER	PART MARKING	TEMP. RANGE (°C)	TAPE AND REEL (UNITS)	PACKAGE (RoHS COMPLIANT)	PKG. DWG. #
ICM7555CBAZ ( <a href="#">Notes 2, 3</a> )	7555 CBAZ	0 to +70		8 Ld SOIC	M8.15
ICM7555CBAZ-T ( <a href="#">Notes 1, 2, 3</a> )	7555 CBAZ	0 to +70	2.5k	8 Ld SOIC	M8.15
ICM7555IBAZ ( <a href="#">Notes 2, 3</a> )	7555 IBAZ	-25 to +85		8 Ld SOIC	M8.15
ICM7555IBAZ-T ( <a href="#">Notes 1, 2, 3</a> )	7555 IBAZ	-25 to +85	2.5k	8 Ld SOIC	M8.15
ICM7555IPAZ ( <a href="#">Notes 2, 3</a> )	7555 IPAZ	-25 to +85		8 Ld PDIP	E8.3
ICM7556IPDZ ( <a href="#">Notes 2, 3</a> )	ICM7556IPDZ	-25 to +85		14 Ld PDIP	E14.3

### NOTES:

1. Please refer to [IB347](#) for details on reel specifications.
2. These Pb-free plastic packaged products employ special Pb-free material sets, molding compounds/die attach materials, and 100% matte tin plate plus anneal (e3 termination finish, which is RoHS compliant and compatible with both SnPb and Pb-free soldering operations). Pb-free products are MSL classified at Pb-free peak reflow temperatures that meet or exceed the Pb-free requirements of IPC/JEDEC J-STD-020.
3. For Moisture Sensitivity Level (MSL), please see product information page for [ICM7555](#), [ICM7556](#). For more information on MSL, please see tech brief [IB363](#).

### Absolute Maximum Ratings

Supply Voltage	+18V
Input Voltage	
Trigger, Control Voltage, Threshold, Reset (Note 4)	V+ +0.3V to GND -0.3V
Output Current	100mA
ESD Rating	
Human Body Model	2kV
Charged Device Model	100V

### Thermal Information

Thermal Resistance (Typical, Notes 5, 6)	$\theta_{JA}$ (°C/W)	$\theta_{JC}$ (°C/W)
14 Ld PDIP Package*	115	46
8 Ld PDIP Package*	130	69
8 Ld SOIC Package	170	67
Maximum Junction Temperature (Hermetic Package)	+175°C	
Maximum Junction Temperature (Plastic Package)	+150°C	
Maximum Storage Temperature Range	-65°C to +150°C	

\* Pb-free PDIPs can be used for through-hole wave solder processing only. They are not intended for use in Reflow solder processing applications.

### Operating Conditions

Temperature Range	
ICM7555C	0°C to +70°C
ICM7555I, ICM7556I	-25°C to +85°C

CAUTION: Do not operate at or near the maximum ratings listed for extended periods of time. Exposure to such conditions may adversely impact product reliability and result in failures not covered by warranty.

NOTES:

- Due to the SCR structure inherent in the CMOS process used to fabricate these devices, connecting any terminal to a voltage greater than V+ +0.3V or less than V- -0.3V may cause destructive latch-up. For this reason it is recommended that no inputs from external sources not operating from the same power supply be applied to the device before its power supply is established. In multiple supply systems, the supply of the ICM7555 and ICM7556 must be turned on first.
- $\theta_{JA}$  is measured with the component mounted on a low effective thermal conductivity test board in free air. See Tech Brief TB379 for details.
- For  $\theta_{JC}$ , the "case temp" location is taken at the package top center.

### Electrical Specifications Applies to ICM7555 and ICM7556, unless otherwise specified.

PARAMETER	SYMBOL	TEST CONDITIONS	T <sub>A</sub> = +25°C			UNIT		
			MIN	TYP	MAX			
Static Supply Current	I <sub>DD</sub>	ICM7555	V <sub>DD</sub> = 5V	40	200	μA		
				60	300	μA		
		ICM7556	V <sub>DD</sub> = 15V	80	400	μA		
				120	600	μA		
Monostable Timing Accuracy		R <sub>A</sub> = 10k, C = 0.1μF, V <sub>DD</sub> = 5V			2	%		
						μs		
Drift with Temperature (Note 7)		V <sub>DD</sub> = 5V				ppm/°C		
		V <sub>DD</sub> = 10V				ppm/°C		
		V <sub>DD</sub> = 15V				ppm/°C		
Drift with Supply (Note 7)		V <sub>DD</sub> = 5V to 15V			0.5	%/V		
Astable Timing Accuracy		R <sub>A</sub> = R <sub>B</sub> = 10k, C = 0.1μF, V <sub>DD</sub> = 5V			2	%		
						μs		
Drift with Temperature (Note 7)		V <sub>DD</sub> = 5V				ppm/°C		
		V <sub>DD</sub> = 10V				ppm/°C		
		V <sub>DD</sub> = 15V				ppm/°C		
Drift with Supply (Note 7)		V <sub>DD</sub> = 5V to 15V			0.5	%/V		
Threshold Voltage	V <sub>TH</sub>	V <sub>DD</sub> = 15V			62	67	71	% V <sub>DD</sub>
Trigger Voltage	V <sub>TRIG</sub>	V <sub>DD</sub> = 15V			28	32	36	% V <sub>DD</sub>
Trigger Current	I <sub>TRIG</sub>	V <sub>DD</sub> = 15V					10	nA
Threshold Current	I <sub>TH</sub>	V <sub>DD</sub> = 15V					10	nA
Control Voltage	V <sub>CV</sub>	V <sub>DD</sub> = 15V			62	67	71	% V <sub>DD</sub>
Reset Voltage	V <sub>RST</sub>	V <sub>DD</sub> = 2V to 15V			0.4		1.0	V

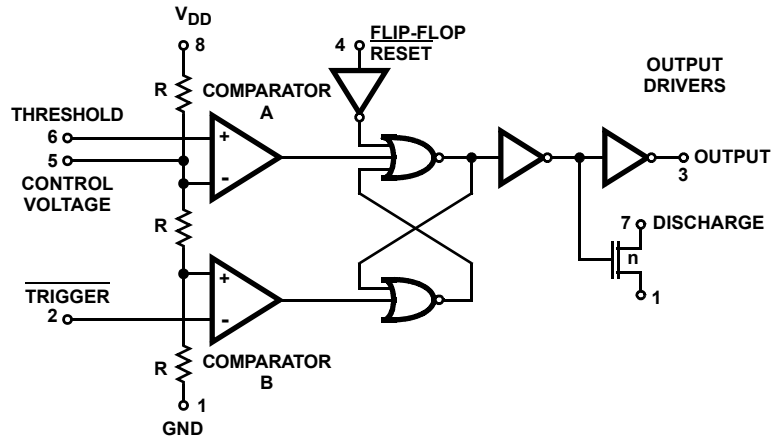
**Electrical Specifications** Applies to ICM7555 and ICM7556, unless otherwise specified. (Continued)

PARAMETER	SYMBOL	TEST CONDITIONS	T <sub>A</sub> = +25°C			UNIT
			MIN	TYP	MAX	
Reset Current	I <sub>RST</sub>	V <sub>DD</sub> = 15V			10	nA
Discharge Leakage	I <sub>DIS</sub>	V <sub>DD</sub> = 15V			10	nA
Output Voltage	V <sub>OL</sub>	V <sub>DD</sub> = 15V, I <sub>SINK</sub> = 20mA		0.4	1.0	V
		V <sub>DD</sub> = 5V, I <sub>SINK</sub> = 3.2mA		0.2	0.4	V
	V <sub>OH</sub>	V <sub>DD</sub> = 15V, I <sub>SOURCE</sub> = 0.8mA	14.3	14.6		V
		V <sub>DD</sub> = 5V, I <sub>SOURCE</sub> = 0.8mA	4.0	4.3		V
Discharge Output Voltage	V <sub>DIS</sub>	V <sub>DD</sub> = 5V, I <sub>SINK</sub> = 15mA		0.2	0.4	V
		V <sub>DD</sub> = 15V, I <sub>SINK</sub> = 15mA				V
Supply Voltage (Note 7)	V <sub>DD</sub>	Functional Operation	2.0		18.0	V
Output Rise Time (Note 7)	t <sub>R</sub>	R <sub>L</sub> = 10M, C <sub>L</sub> = 10pF, V <sub>DD</sub> = 5V		75		ns
Output Fall Time (Note 7)	t <sub>F</sub>	R <sub>L</sub> = 10M, C <sub>L</sub> = 10pF, V <sub>DD</sub> = 5V		75		ns
Oscillator Frequency (Note 7)	f <sub>MAX</sub>	V <sub>DD</sub> = 5V, R <sub>A</sub> = 470Ω, R <sub>B</sub> = 270Ω, C = 200pF		1		MHz

NOTES:

7. These parameters are based upon characterization data and are not tested.

**Functional Diagram**



NOTE: This functional diagram reduces the circuitry down to its simplest equivalent components. Tie down unused inputs.

FIGURE 1. FUNCTIONAL DIAGRAM

TRUTH TABLE

THRESHOLD VOLTAGE	TRIGGER VOLTAGE	RESET	OUTPUT	DISCHARGE SWITCH
Don't Care	Don't Care	Low	Low	On
> <sup>2</sup> / <sub>3</sub> (V <sub>+</sub> )	> <sup>1</sup> / <sub>3</sub> (V <sub>+</sub> )	High	Low	On
< <sup>2</sup> / <sub>3</sub> (V <sub>+</sub> )	> <sup>1</sup> / <sub>3</sub> (V <sub>+</sub> )	High	Stable	Stable
Don't Care	< <sup>1</sup> / <sub>3</sub> (V <sub>+</sub> )	High	High	Off

NOTE:  $\overline{\text{RESET}}$  will dominate all other inputs:  $\overline{\text{TRIGGER}}$  will dominate over THRESHOLD.

## Schematic Diagram

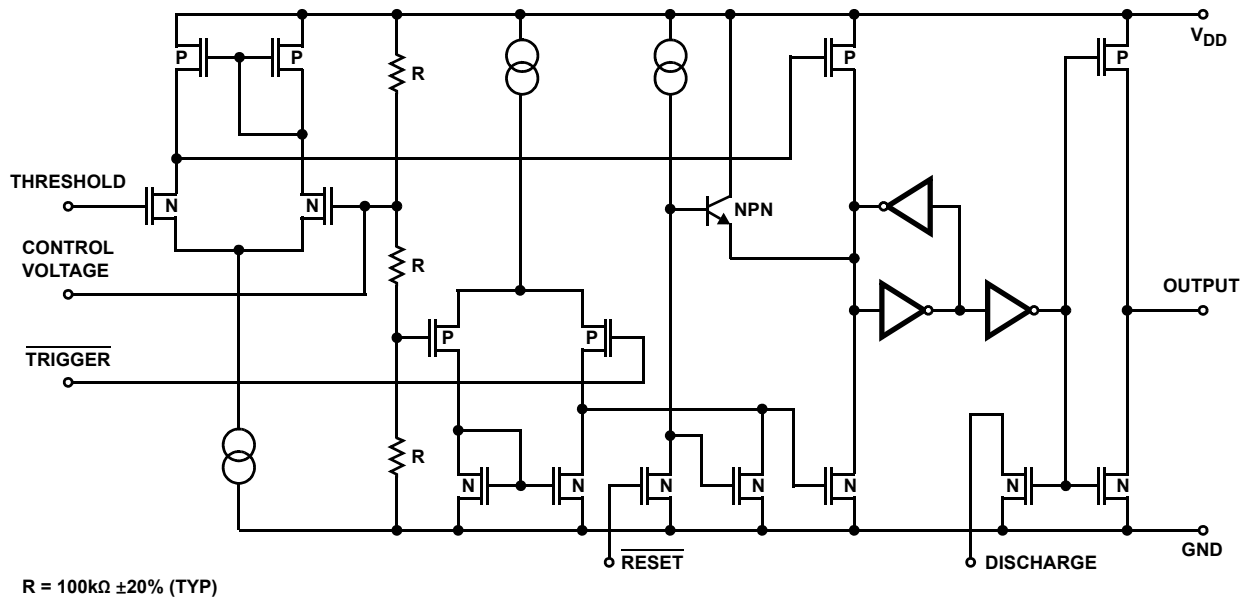


FIGURE 2. SCHEMATIC DIAGRAM

## Application Information

### General

The ICM7555 and ICM7556 devices are, in most instances, direct replacements for the SE/NE 555/556 devices. However, it is possible to effect economies in the external component count using the ICM7555 and ICM7556. Because the bipolar SE/NE 555/556 devices produce large crowbar currents in the output driver, it is necessary to decouple the power supply lines with a good capacitor close to the device. The ICM7555 and ICM7556 devices produce no such transients (see [Figure 3](#)).

The ICM7555 and ICM7556 produce supply current spikes of only 2mA to 3mA instead of 300mA to 400mA and supply decoupling is normally not necessary. Also, in most instances, the Control Voltage decoupling capacitors are not required since the input impedance of the CMOS comparators on chip are very high. Thus, for many applications, two capacitors can be saved using an ICM7555 and three capacitors with an ICM7556.

### POWER SUPPLY CONSIDERATIONS

Although the supply current consumed by the ICM7555 and ICM7556 devices is very low, the total system supply current can be high unless the timing components are high impedance. Therefore, use high values for R and low values for C in [Figures 4, 5, and 6](#).

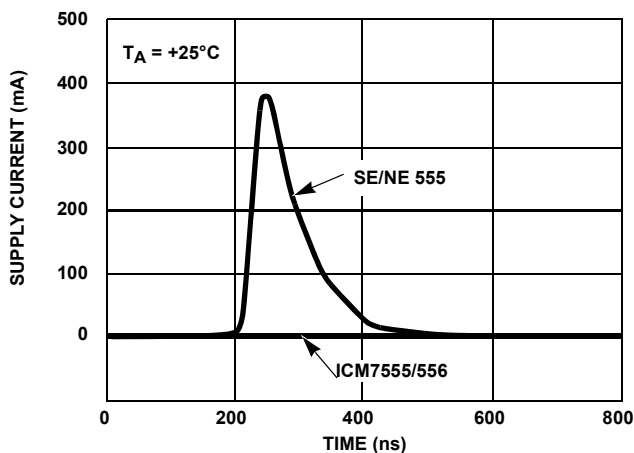


FIGURE 3. SUPPLY CURRENT TRANSIENT COMPARED WITH A STANDARD BIPOLAR 555 DURING AN OUTPUT TRANSITION

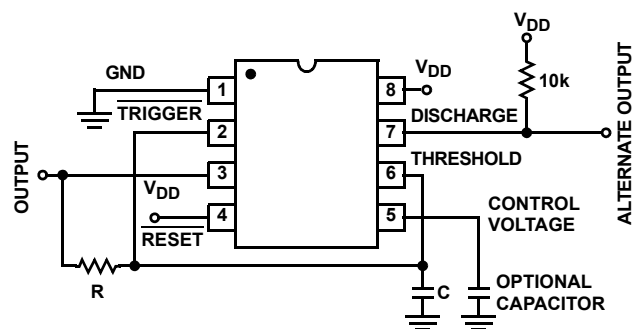


FIGURE 4. ASTABLE OPERATION

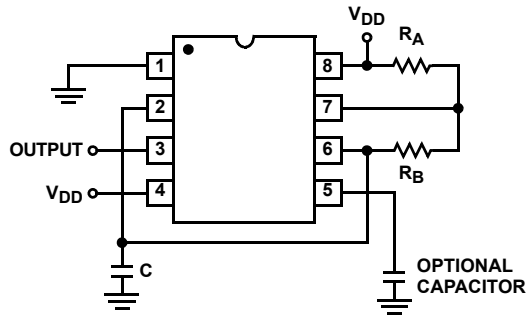


FIGURE 5. ALTERNATE ASTABLE CONFIGURATION

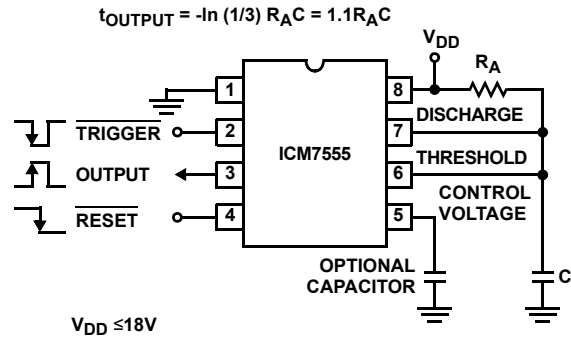


FIGURE 6. MONOSTABLE OPERATION

**OUTPUT DRIVE CAPABILITY**

The output driver consists of a CMOS inverter capable of driving most logic families including CMOS and TTL. As such, if driving CMOS, the output swing at all supply voltages will equal the supply voltage. At a supply voltage of 4.5V or more, the ICM7555 and ICM7556 will drive at least two standard TTL loads.

**ASTABLE OPERATION**

The circuit can be connected to trigger itself and free run as a multivibrator, see Figure 4. The output swings from rail-to-rail, and is a true 50% duty cycle square wave. Trip points and output swings are symmetrical. Less than a 1% frequency variation is observed over a voltage range of +5V to +15V.

$$f = \frac{1}{1.4 RC} \tag{EQ. 1}$$

The timer can also be connected as shown in Figure 5. In this circuit, the frequency is as shown by Equation 2:

$$f = 1.44 / (R_A + 2R_B) C \tag{EQ. 2}$$

The duty cycle is controlled by the values of RA and RB, by Equation 3:

$$D = (R_A + R_B) / (R_A + 2R_B) \tag{EQ. 3}$$

**MONOSTABLE OPERATION**

In this mode of operation, the timer functions as a one-shot (see Figure 6). Initially the external capacitor (C) is held discharged by a transistor inside the timer. Upon application of a negative Trigger pulse to pin 2, the internal flip-flop is set, which releases the short-circuit across the external capacitor and drives the Output high. The voltage across the capacitor now increases exponentially with a time constant  $t = R_A C$ . When the voltage across the capacitor equals  $\frac{2}{3} V+$ , the comparator resets the flip-flop, which in turn discharges the capacitor rapidly and also drives the OUTPUT to its low state. Trigger must return to a high state before the OUTPUT can return to a low state.

**CONTROL VOLTAGE**

The Control Voltage terminal permits the two trip voltages for the Threshold and Trigger internal comparators to be controlled. This provides the possibility of oscillation frequency modulation in the astable mode or even inhibition of oscillation, depending on the applied voltage. In the monostable mode, delay times can be changed by varying the applied voltage to the Control Voltage pin.

**RESET**

The Reset terminal is designed to have essentially the same trip voltage as the standard bipolar 555/556, i.e., 0.6V to 0.7V. At all supply voltages it represents an extremely high input impedance. The mode of operation of the Reset function is, however, much improved over the standard bipolar SE/NE 555/556 in that it controls only the internal flip-flop, which in turn controls simultaneously the state of the Output and Discharge pins. This avoids the multiple threshold problems sometimes encountered with slow falling edges in the bipolar devices.

# Typical Performance Curves

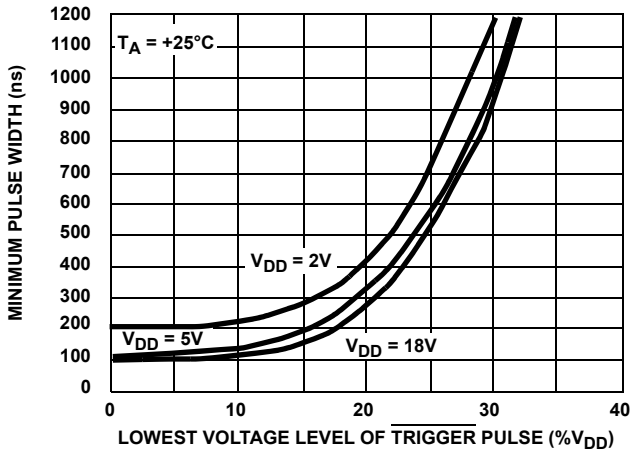


FIGURE 7. MINIMUM PULSE WIDTH REQUIRED FOR TRIGGERING

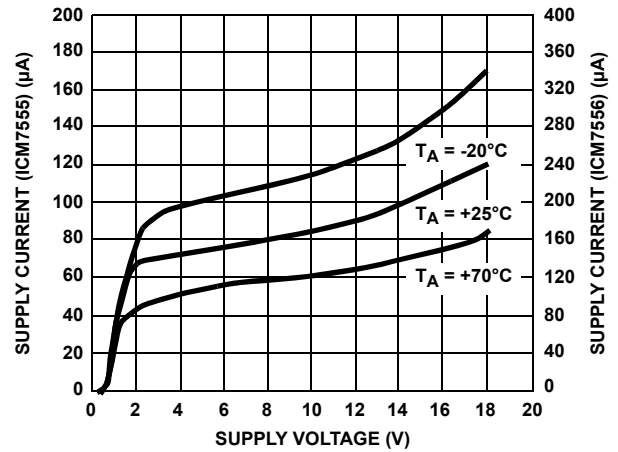


FIGURE 8. SUPPLY CURRENT vs SUPPLY VOLTAGE

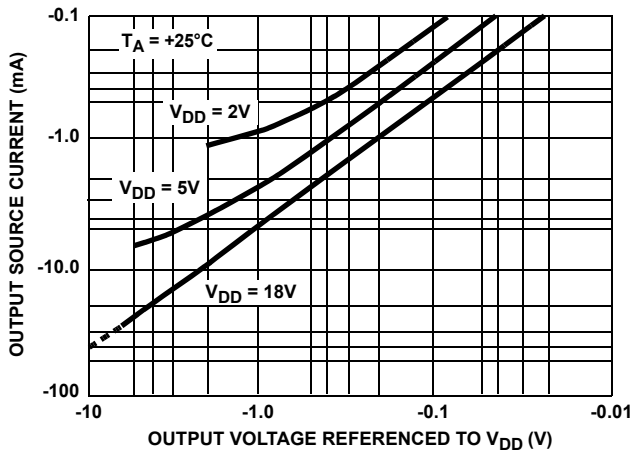


FIGURE 9. OUTPUT SOURCE CURRENT vs OUTPUT VOLTAGE

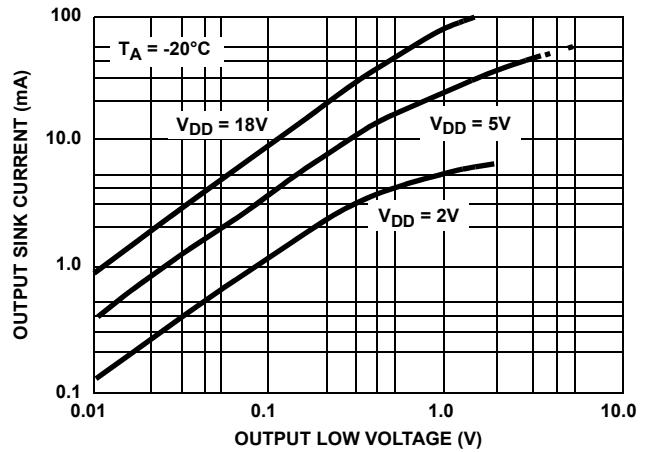


FIGURE 10. OUTPUT SINK CURRENT vs OUTPUT VOLTAGE

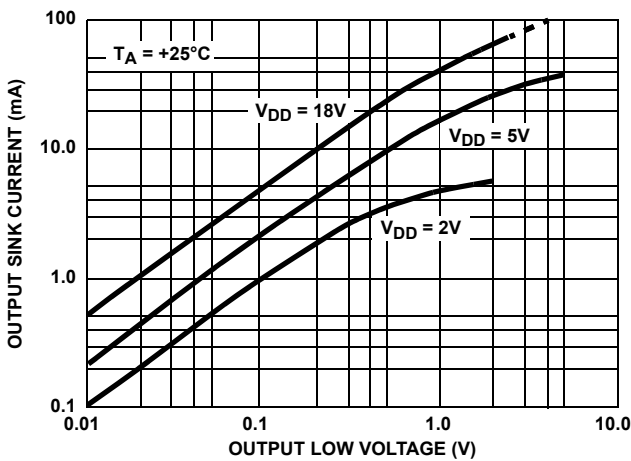


FIGURE 11. OUTPUT SINK CURRENT vs OUTPUT VOLTAGE

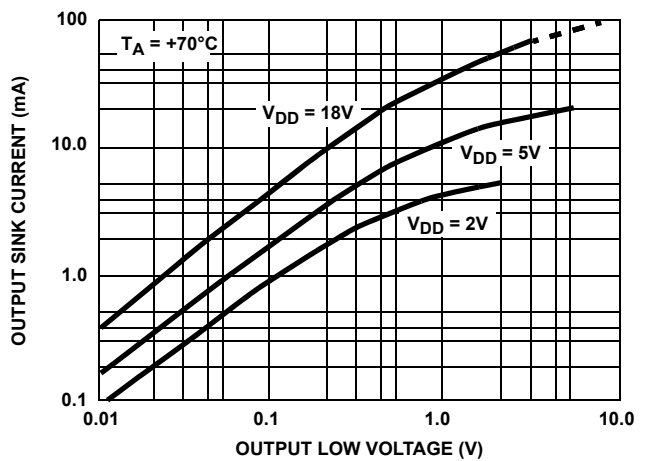


FIGURE 12. OUTPUT SINK CURRENT vs OUTPUT VOLTAGE

## Typical Performance Curves (Continued)

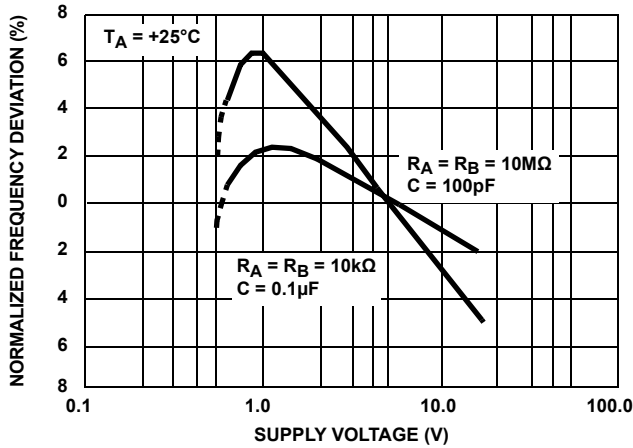


FIGURE 13. NORMALIZED FREQUENCY STABILITY IN THE ASTABLE MODE vs SUPPLY VOLTAGE

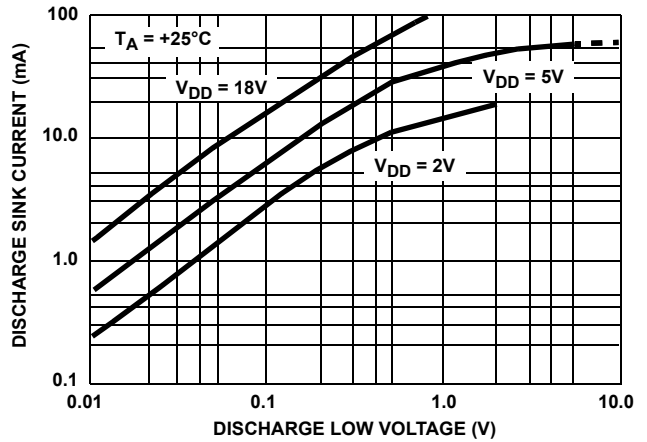


FIGURE 14. DISCHARGE OUTPUT CURRENT vs DISCHARGE OUTPUT VOLTAGE

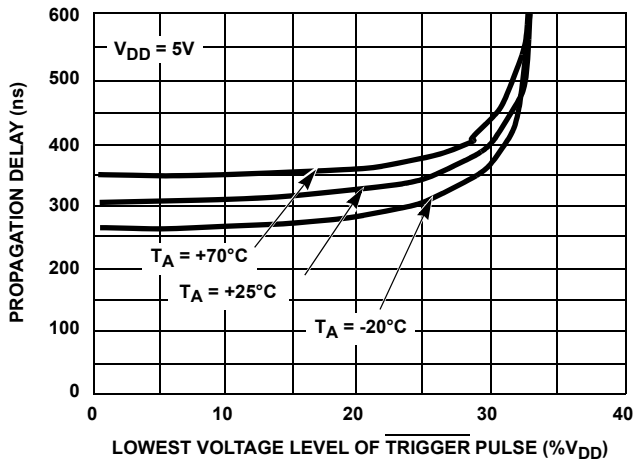


FIGURE 15. PROPAGATION DELAY vs VOLTAGE LEVEL OF TRIGGER PULSE

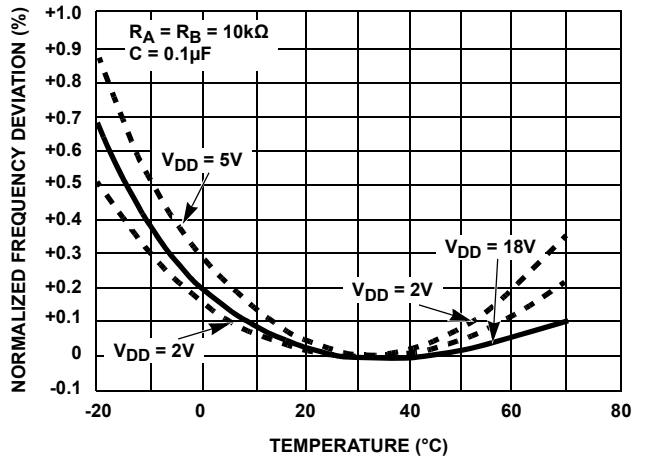


FIGURE 16. NORMALIZED FREQUENCY STABILITY IN THE ASTABLE MODE vs TEMPERATURE

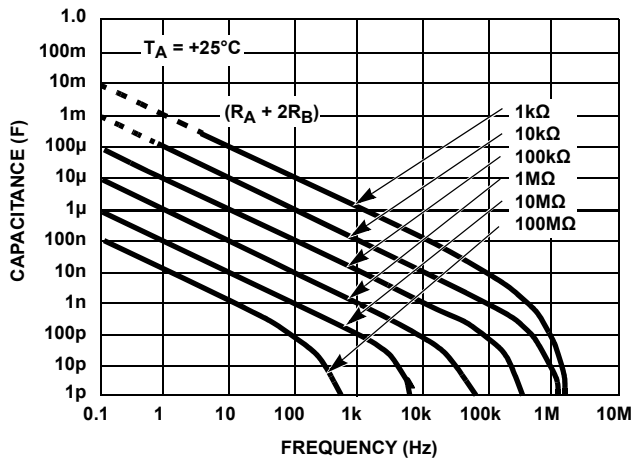


FIGURE 17. FREE RUNNING FREQUENCY vs  $R_A$ ,  $R_B$  AND  $C$

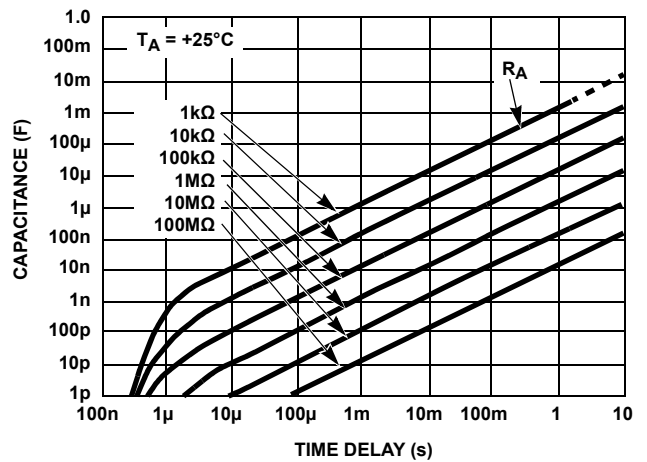


FIGURE 18. TIME DELAY IN THE MONOSTABLE MODE vs  $R_A$  AND  $C$



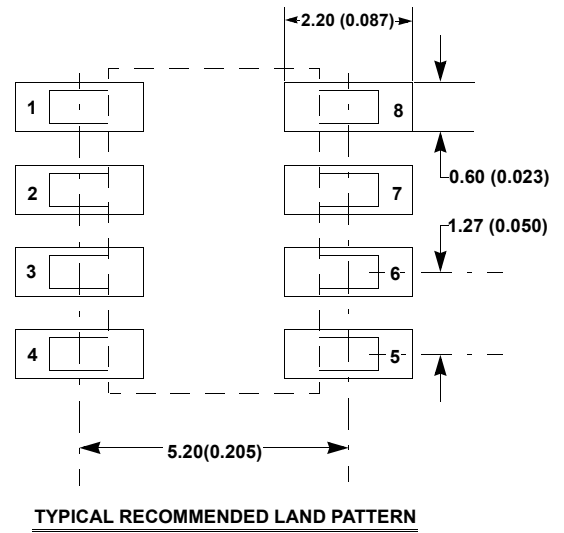
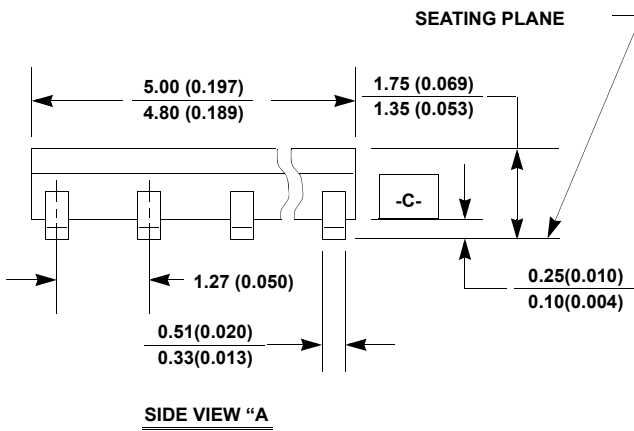
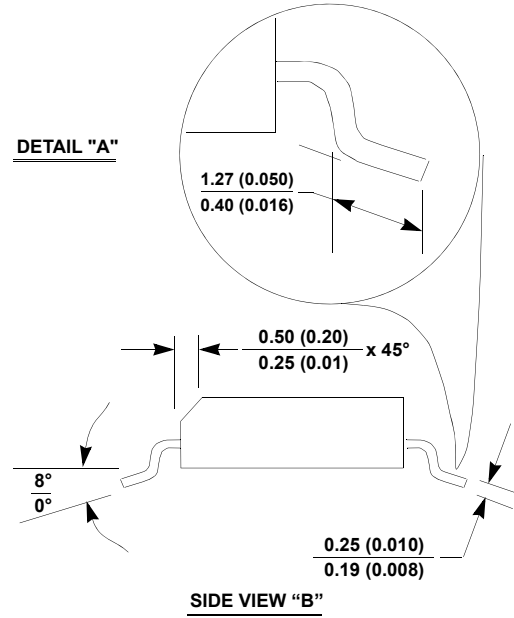
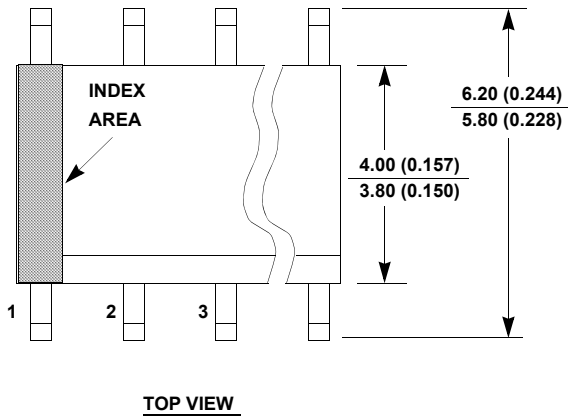
**Revision History** The revision history provided is for informational purposes only and is believed to be accurate, but not warranted. Please go to the web to make sure that you have the latest revision.

DATE	REVISION	CHANGE
Mar 5, 2020	10.01	Added Related Literature section. Removed CERDIP part information. Added ESD information. Removed About Intersil Updated Disclaimer
Jun 28, 2016	10.00	Converted to new datasheet template. Updated 14 Ld PDIP "Pin Configuration" on page 1 by adding "1" or "2" to pins that have same name. Updated "Thermal Information" on page 3 by removing Maximum Lead Temperature and Adding T <sub>JC</sub> values with corresponding note. Updated "Ordering Information" table on page 2 by removing obsoleted parts, adding Tape and Reel option column, adding MSL note and numbering notes accordingly. Updated POD M8.15 to most current version. POD changes are as follows: Changed in Typical Recommended Land Pattern the following: 2.41(0.095) to 2.20(0.087) 0.76 (0.030) to 0.60(0.023) 0.200 to 5.20(0.205) Updated to new POD format by removing table and moving dimensions onto drawing and adding land pattern

# Package Outline Drawing

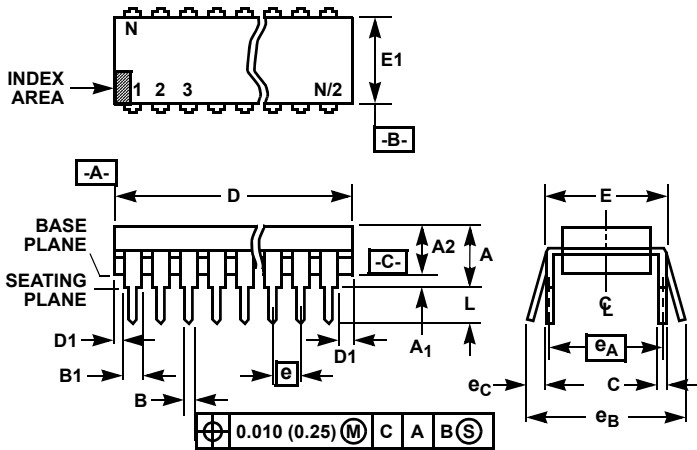
For the most recent package outline drawing, see [M8.15](#).

M8.15  
 8 LEAD NARROW BODY SMALL OUTLINE PLASTIC PACKAGE  
 Rev 4, 1/12



**NOTES:**

1. Dimensioning and tolerancing per ANSI Y14.5M-1994.
2. Package length does not include mold flash, protrusions or gate burrs. Mold flash, protrusion and gate burrs shall not exceed 0.15mm (0.006 inch) per side.
3. Package width does not include interlead flash or protrusions. Interlead flash and protrusions shall not exceed 0.25mm (0.010 inch) per side.
4. The chamfer on the body is optional. If it is not present, a visual index feature must be located within the crosshatched area.
5. Terminal numbers are shown for reference only.
6. The lead width as measured 0.36mm (0.014 inch) or greater above the seating plane, shall not exceed a maximum value of 0.61mm (0.024 inch).
7. Controlling dimension: MILLIMETER. Converted inch dimensions are not necessarily exact.
8. This outline conforms to JEDEC publication MS-012-AA ISSUE C.



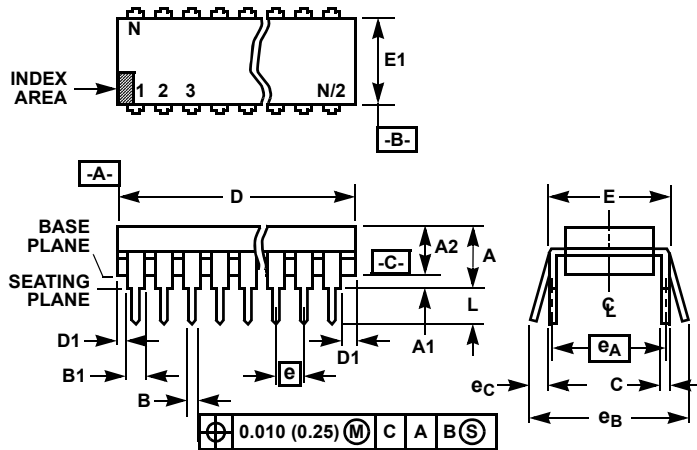
E8.3 (JEDEC MS-001-BA ISSUE D)  
8 LEAD DUAL-IN-LINE PLASTIC PACKAGE (PDIP)

SYMBOL	INCHES		MILLIMETERS		NOTES
	MIN	MAX	MIN	MAX	
A	-	0.210	-	5.33	4
A1	0.015	-	0.39	-	4
A2	0.115	0.195	2.93	4.95	-
B	0.014	0.022	0.356	0.558	-
B1	0.045	0.070	1.15	1.77	8, 10
C	0.008	0.014	0.204	0.355	-
D	0.355	0.400	9.01	10.16	5
D1	0.005	-	0.13	-	5
E	0.300	0.325	7.62	8.25	6
E1	0.240	0.280	6.10	7.11	5
e	0.100 BSC		2.54 BSC		-
eA	0.300 BSC		7.62 BSC		6
eB	-	0.430	-	10.92	7
L	0.115	0.150	2.93	3.81	4
N	8		8		9

NOTES:

- Controlling Dimensions: INCH. In case of conflict between English and Metric dimensions, the inch dimensions control.
- Dimensioning and tolerancing per ANSI Y14.5M-1982.
- Symbols are defined in the "M0 Series Symbol List" in Section 2.2 of Publication No. 95.
- Dimensions A, A1 and L are measured with the package seated in JEDEC seating plane gauge GS-3.
- D, D1, and E1 dimensions do not include mold flash or protrusions. Mold flash or protrusions shall not exceed 0.010 inch (0.25mm).
- E and eA are measured with the leads constrained to be perpendicular to datum -C-.
- eB and eC are measured at the lead tips with the leads unconstrained. eC must be zero or greater.
- B1 maximum dimensions do not include dambar protrusions. Dambar protrusions shall not exceed 0.010 inch (0.25mm).
- N is the maximum number of terminal positions.
- Corner leads (1, N, N/2 and N/2 + 1) for E8.3, E16.3, E18.3, E28.3, E42.6 will have a B1 dimension of 0.030 - 0.045 inch (0.76 - 1.14mm).

Rev. 0 12/93



NOTES:

1. Controlling Dimensions: INCH. In case of conflict between English and Metric dimensions, the inch dimensions control.
2. Dimensioning and tolerancing per ANSI Y14.5M-1982.
3. Symbols are defined in the "MO Series Symbol List" in Section 2.2 of Publication No. 95.
4. Dimensions A, A1 and L are measured with the package seated in JEDEC seating plane gauge GS-3.
5. D, D1, and E1 dimensions do not include mold flash or protrusions. Mold flash or protrusions shall not exceed 0.010 inch (0.25mm).
6. E and  $e_A$  are measured with the leads constrained to be perpendicular to datum -C-.
7.  $e_B$  and  $e_C$  are measured at the lead tips with the leads unconstrained.  $e_C$  must be zero or greater.
8. B1 maximum dimensions do not include dambar protrusions. Dambar protrusions shall not exceed 0.010 inch (0.25mm).
9. N is the maximum number of terminal positions.
10. Corner leads (1, N, N/2 and N/2 + 1) for E8.3, E16.3, E18.3, E28.3, E42.6 will have a B1 dimension of 0.030 - 0.045 inch (0.76 - 1.14mm).

E14.3 (JEDEC MS-001-AA ISSUE D)  
14 LEAD DUAL-IN-LINE PLASTIC PACKAGE (PDIP)

SYMBOL	INCHES		MILLIMETERS		NOTES
	MIN	MAX	MIN	MAX	
A	-	0.210	-	5.33	4
A1	0.015	-	0.39	-	4
A2	0.115	0.195	2.93	4.95	-
B	0.014	0.022	0.356	0.558	-
B1	0.045	0.070	1.15	1.77	8
C	0.008	0.014	0.204	0.355	-
D	0.735	0.775	18.66	19.68	5
D1	0.005	-	0.13	-	5
E	0.300	0.325	7.62	8.25	6
E1	0.240	0.280	6.10	7.11	5
e	0.100 BSC		2.54 BSC		-
$e_A$	0.300 BSC		7.62 BSC		6
$e_B$	-	0.430	-	10.92	7
L	0.115	0.150	2.93	3.81	4
N	14		14		9

Rev. 0 12/93

## IMPORTANT NOTICE AND DISCLAIMER

RENESAS ELECTRONICS CORPORATION AND ITS SUBSIDIARIES (“RENESAS”) PROVIDES TECHNICAL SPECIFICATIONS AND RELIABILITY DATA (INCLUDING DATASHEETS), DESIGN RESOURCES (INCLUDING REFERENCE DESIGNS), APPLICATION OR OTHER DESIGN ADVICE, WEB TOOLS, SAFETY INFORMATION, AND OTHER RESOURCES “AS IS” AND WITH ALL FAULTS, AND DISCLAIMS ALL WARRANTIES, EXPRESS OR IMPLIED, INCLUDING, WITHOUT LIMITATION, ANY IMPLIED WARRANTIES OF MERCHANTABILITY, FITNESS FOR A PARTICULAR PURPOSE, OR NON-INFRINGEMENT OF THIRD PARTY INTELLECTUAL PROPERTY RIGHTS.

These resources are intended for developers skilled in the art designing with Renesas products. You are solely responsible for (1) selecting the appropriate products for your application, (2) designing, validating, and testing your application, and (3) ensuring your application meets applicable standards, and any other safety, security, or other requirements. These resources are subject to change without notice. Renesas grants you permission to use these resources only for development of an application that uses Renesas products. Other reproduction or use of these resources is strictly prohibited. No license is granted to any other Renesas intellectual property or to any third party intellectual property. Renesas disclaims responsibility for, and you will fully indemnify Renesas and its representatives against, any claims, damages, costs, losses, or liabilities arising out of your use of these resources. Renesas' products are provided only subject to Renesas' Terms and Conditions of Sale or other applicable terms agreed to in writing. No use of any Renesas resources expands or otherwise alters any applicable warranties or warranty disclaimers for these products.

(Rev.1.0 Mar 2020)

### Corporate Headquarters

TOYOSU FORESIA, 3-2-24 Toyosu,  
Koto-ku, Tokyo 135-0061, Japan  
[www.renesas.com](http://www.renesas.com)

### Contact Information

For further information on a product, technology, the most up-to-date version of a document, or your nearest sales office, please visit:  
[www.renesas.com/contact/](http://www.renesas.com/contact/)

### Trademarks

Renesas and the Renesas logo are trademarks of Renesas Electronics Corporation. All trademarks and registered trademarks are the property of their respective owners.