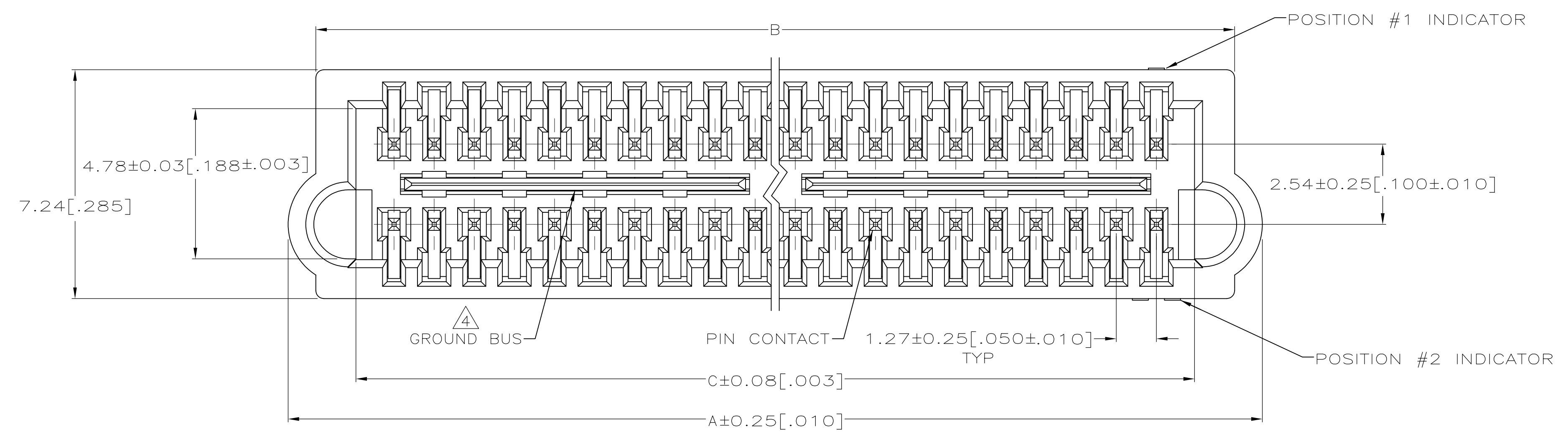
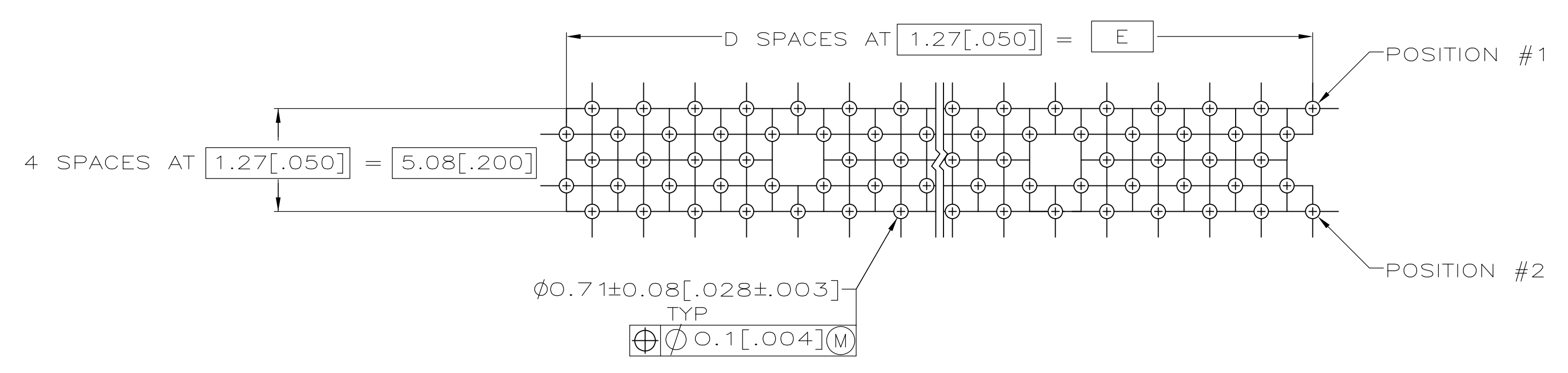
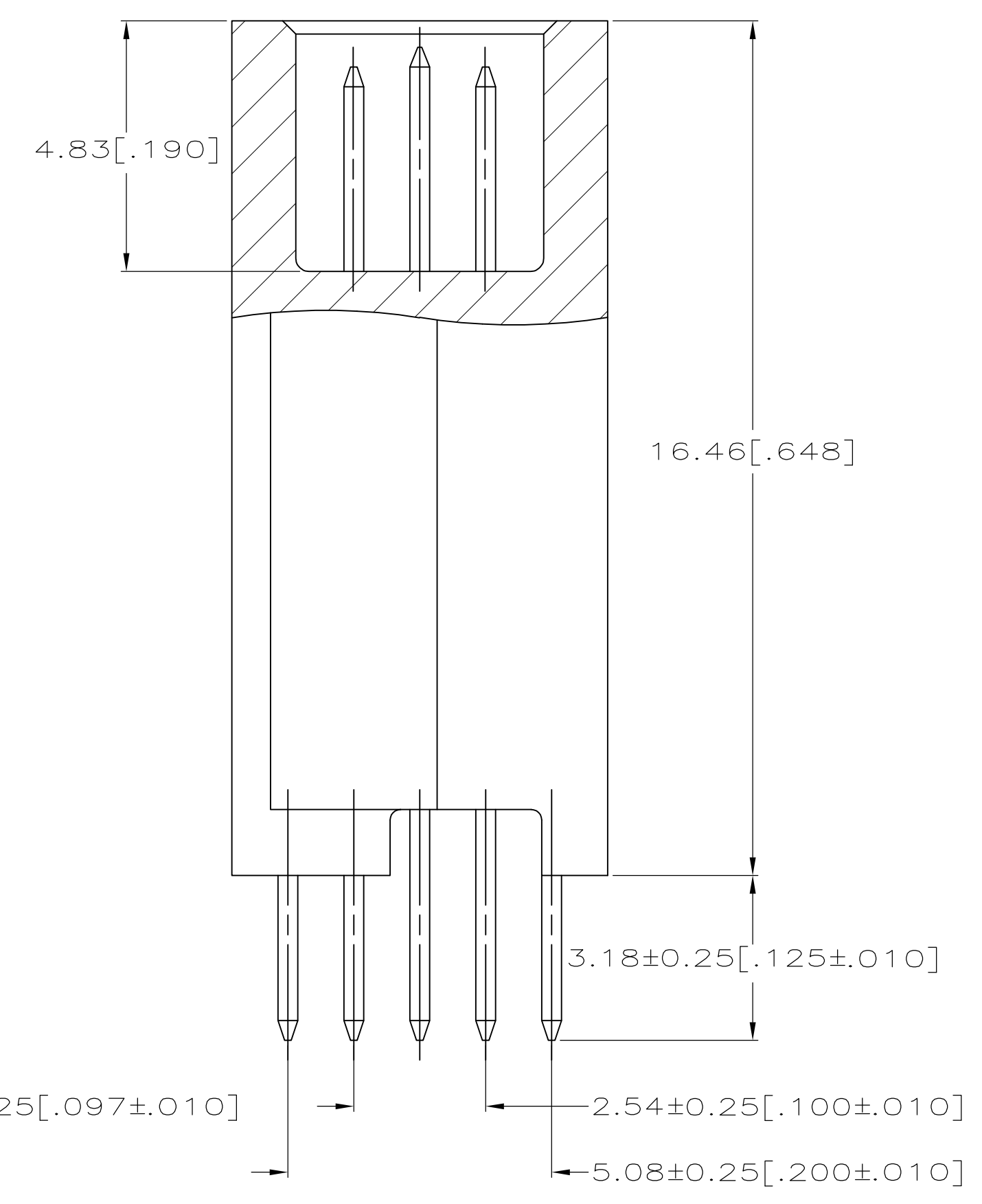
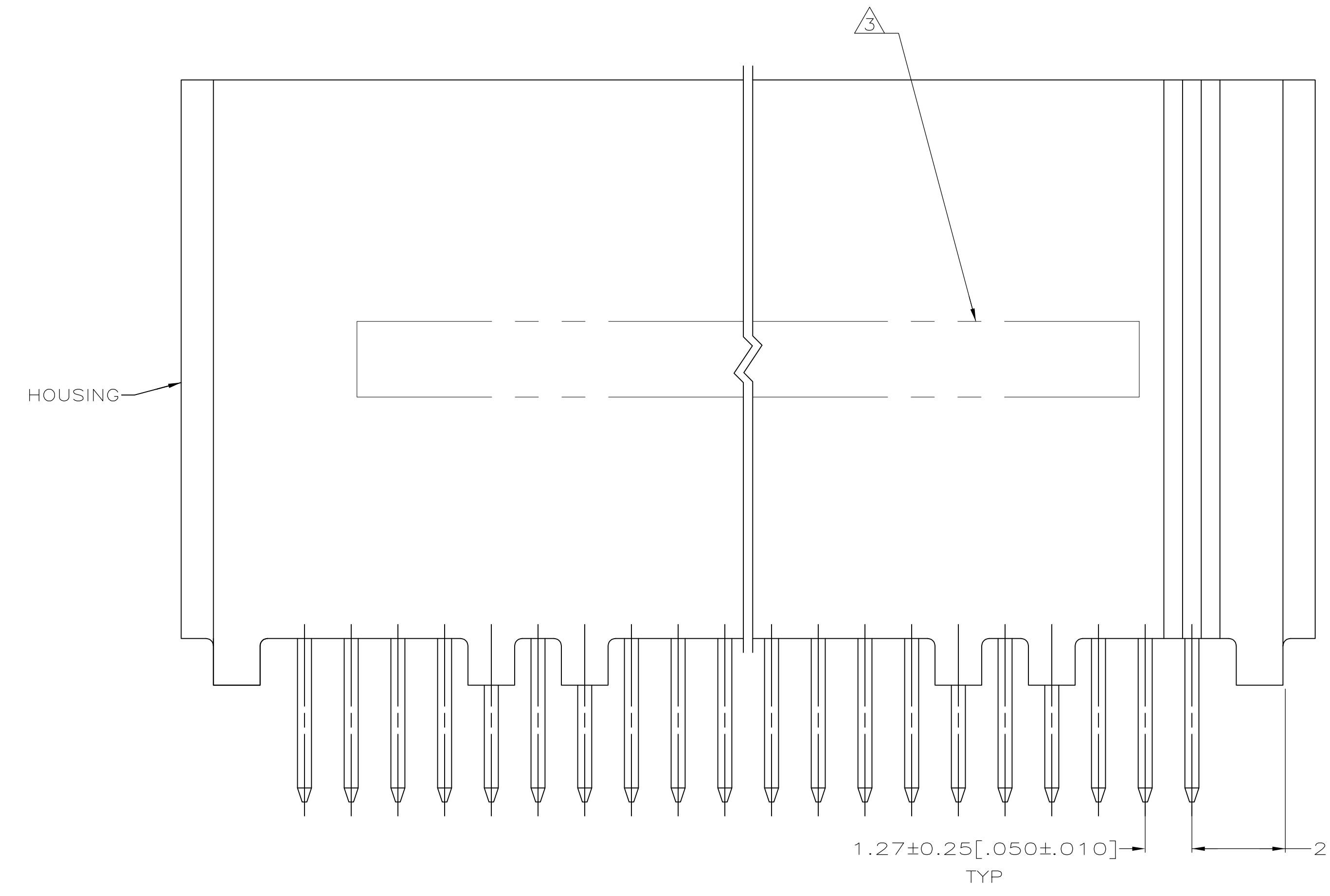


REVISIONS				
P	LTR	DESCRIPTION	DATE	APPD
A		REVISED PER ECO-16-010704	20JUL2016	SY SY



- △ HOUSING: HIGH TEMPERATURE THERMOPLASTIC, COLOR NATURAL OR LIGHT NATURAL. PIN CONTACTS: PHOSPHOR BRONZE. GROUND BUSES: PHOSPHOR BRONZE.
- △ CONTACTS & GROUND BUSES: 0.00076(.000030) MIN. GOLD PER ASTM B 488 ON CONTACT AREA, 0.00254-0.00762(.000100-.000300) MATTE TIN PER ASTM B 545 ON SOLDER TAIL, ALL OVER 0.00127-0.00254(.000050-.000100) MATTE NICKEL PER SAE AMS-QQ-N-290 ON ENTIRE CONTACT.
- △ AMP AND DATE CODE MARKED IN AREA INDICATED, ON SAME SIDE AS POSITION NUMBER 2 INDICATOR.
- △ ONE GROUND BUS WITH 4 TAILS PER EACH 20 PIN CONTACTS.



125.73 [4.950]	99	128.22 [5.048]	130.81 [5.150]	132.44 [5.214]	200	5149011-9
113.03 [4.450]	89	115.52 [4.548]	118.11 [4.650]	119.74 [4.714]	180	5149011-8
100.33 [3.950]	79	102.82 [4.048]	105.41 [4.150]	107.04 [4.214]	160	5149011-7
87.63 [3.450]	69	90.12 [3.548]	92.71 [3.650]	94.34 [3.714]	140	5149011-6
74.93 [2.950]	59	77.42 [3.048]	80.01 [3.150]	81.64 [3.214]	120	5149011-5
62.23 [2.450]	49	64.72 [2.548]	67.31 [2.650]	68.94 [2.714]	100	5149011-4
49.53 [1.950]	39	52.02 [2.048]	54.61 [2.150]	56.24 [2.214]	80	5149011-3
36.83 [1.450]	29	39.32 [1.548]	41.91 [1.650]	43.54 [1.714]	60	5149011-2
OBSOLETE 24.13 [.950]	19	26.62 [1.048]	29.21 [1.150]	30.84 [1.214]	40	5149011-1
E	D	C	B	A	NO OF POS	PART NUMBER

THIS DRAWING IS A CONTROLLED DOCUMENT.

DIMENSIONS: mm [INCHES]	TOLERANCES UNLESS OTHERWISE SPECIFIED:	DIN L VARELA - DOCKS 01-19-05	CHK D DIXON 01-19-05	APPRO D DIXON 01-19-05	NAME
0 PLC ± -	1 PLC ± -	2 PLC ± -	3 PLC ± 0.1 [.005]	4 PLC ± -	ANGLES ± -
MATERIAL	FINISH	WEIGHT 0.000000	SIZE A1	CAGE CODE 00779	DRAWING NO. 5149011
CUSTOMER DRAWING		SCALE 10:1	SHEET 1 of 1	REV A	RESTRICTED TO

STE TE Connectivity  
 PLUG ASSEMBLY, 18.75 [.738] STACK, 3.18 [.125] TAIL, BOARD TO BOARD, MICROSTRIP

# Mouser Electronics

Authorized Distributor

Click to View Pricing, Inventory, Delivery & Lifecycle Information:

[TE Connectivity:](#)

[5149011-4](#)