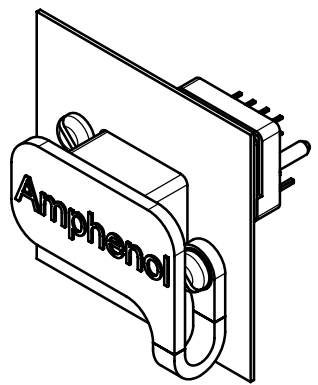
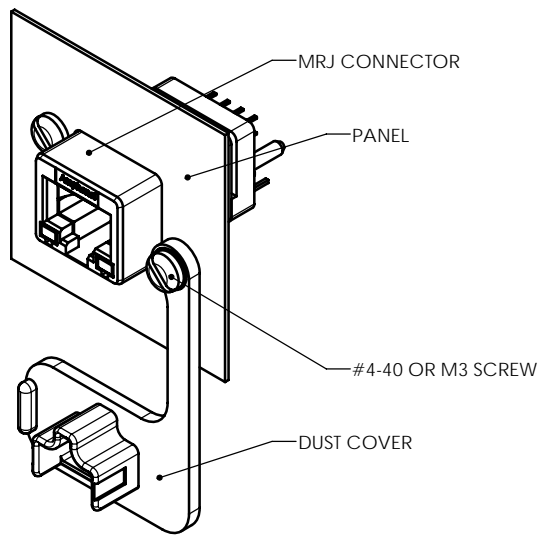
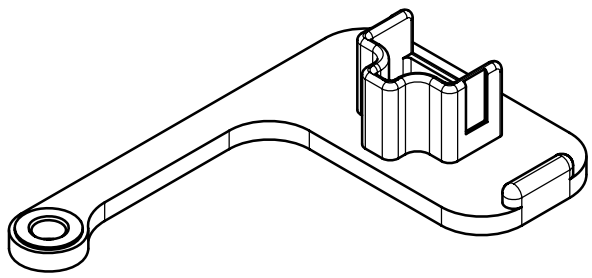
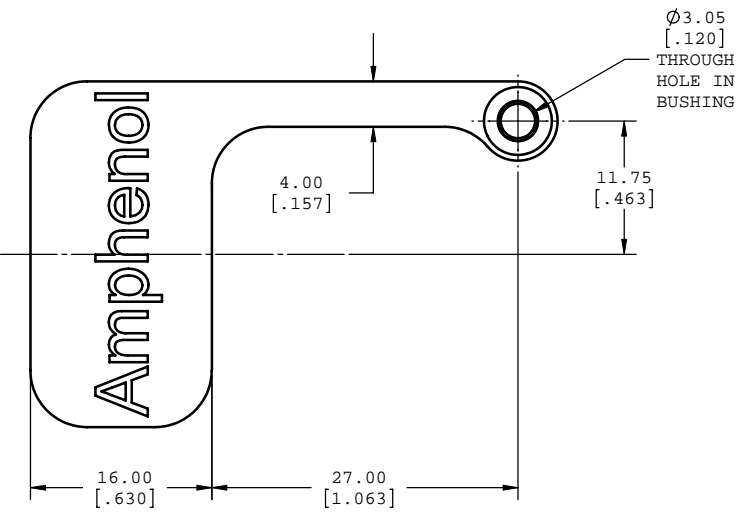
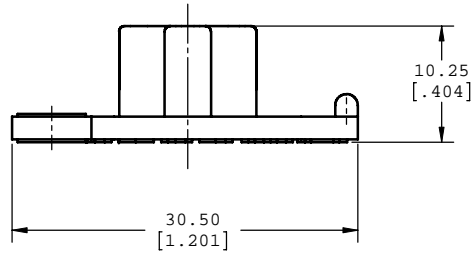
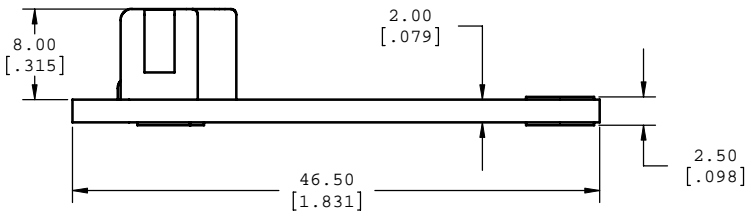


REVISIONS			
REV	ECN, ERN NO.	DATE	APPRD.
A	PRODUCT DRAWING	JUN28/07	K.L.
B	ADD MRJ-2586-20BP (EAR 13215)	FEB07/08	K.L.



AMPHENOL PART NUMBER	COVER COLOR
MRJ-2586-10BP	GREY
MRJ-2586-20BP	BLACK

**NOTES:**

- MATERIAL:
  - DUST COVER - SILICONE RUBBER, COLOR - SEE CHART.
  - BUSHING - BRASS, NICKEL PLATED.
- OPERATING TEMPERATURE: -40°C TO +105°C.
- PART IS ROHS COMPLIANT PER EU DIRECTIVE 2002/95/EC AND AMENDMENTS.
- PART SUPPLIED BULK PACKED.

TYPICAL APPLICATION MRJ CONNECTOR WITH DUST COVER  
SCALE 2:1

DO NOT SCALE DRAWING  
THIS DOCUMENT CONTAINS PROPRIETARY INFORMATION AND SUCH INFORMATION MAY NOT BE DISCLOSED TO OTHERS FOR ANY PURPOSE OR USED FOR MANUFACTURING PURPOSES WITHOUT PERMISSION FROM AMPHENOL CANADA CORP.

PROPRIETARY AND CONFIDENTIAL  
THIS DOCUMENT CONTAINS PROPRIETARY INFORMATION AND SUCH INFORMATION MAY NOT BE DISCLOSED TO OTHERS FOR ANY PURPOSE OR USED FOR MANUFACTURING PURPOSES WITHOUT WRITTEN PERMISSION FROM AMPHENOL CANADA CORP.

UNLESS OTHERWISE SPECIFIED:		DATE	Amphenol Canada Corp.
DIMENSIONS ARE IN MILLIMETERS		DRAWN A. DODDS JUN28/07	
FRACTIONAL ±		DESIGNED	TITLE: MRJ SERIES DUST COVER FOR RECEPTACLE CONNECTOR, INTERNAL STYLE, ROHS COMPLIANT
ANGULAR MATCH ± BEND ±		CHECKED K. LAMBE JUN28/07	
TWO PLACE DECIMAL ±		I.E. APPRD.	SIZE DWG. NO. REV C P-MRJ-2586-X0BP B
THREE PLACE DECIMAL ±		D. A. APPRD.	
INTERPRET GEOMETRIC TOLERANCING PER:		DWG. APPRD.	SCALE: 3:1 WEIGHT: SHEET 1 OF 1
MATERIAL		ENG. REL. NO. EAR E13132	
NEXT ASSY	USED ON	REF.	
APPLICATION	DO NOT SCALE DRAWING	DIMENSIONS ARE IN MILLIMETERS	CODE ID. NO.

# Mouser Electronics

Authorized Distributor

Click to View Pricing, Inventory, Delivery & Lifecycle Information:

[Amphenol:](#)

[MRJ258610BP](#) [MRJ-2586-20BP](#)