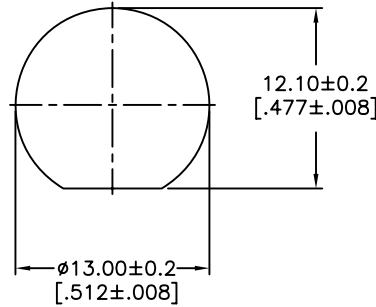
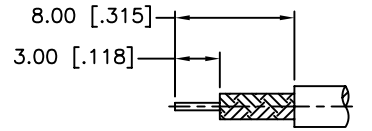


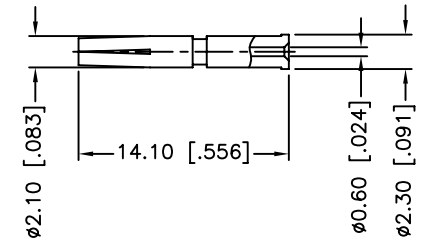
REV.	DATE	ECR NO.	DESCRIPTION
NC	09/15/10	XXXXXX	INITIAL RELEASE



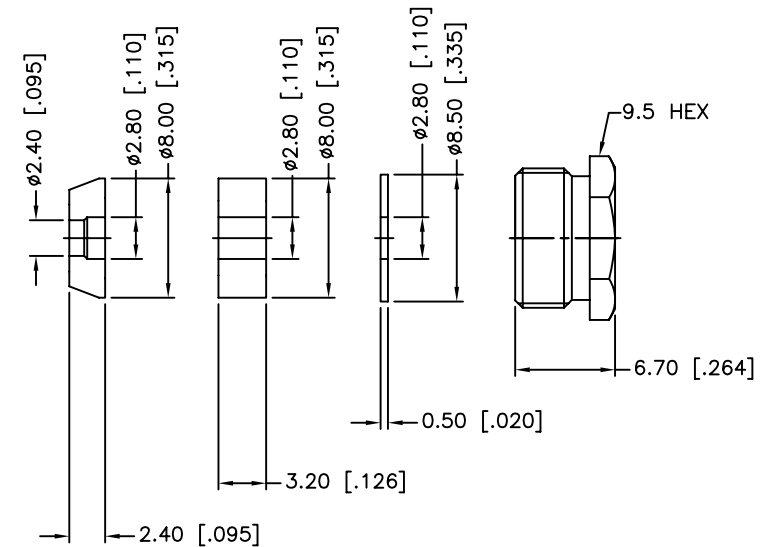
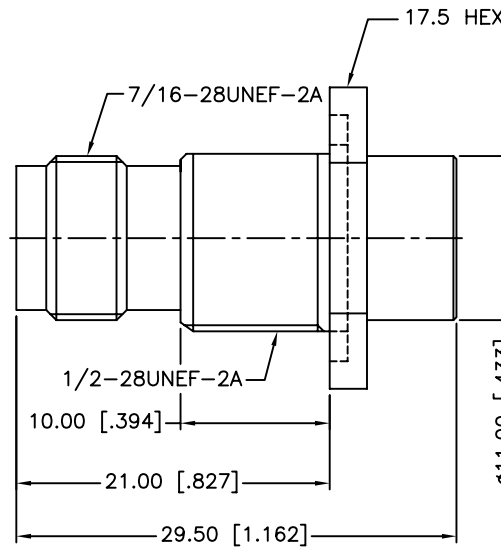
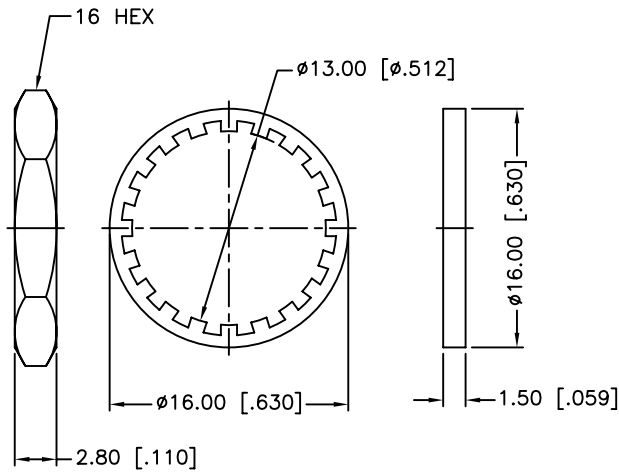
RECOMMENDED MOUNTING HOLE



RECOMMENDED CABLE STRIPPING DIM'S



MOUNTING HOLE



NOTE:  
1. CRIMPED CONTACT PIN  
HEX CRIMP SIZE .068"

DESCRIPTION	MATERIAL	FINISH	QTY	
11	HEX NUT	BRASS	NICKEL	1
10	WASHER	BRASS	NICKEL	1
9	GASKET	SILICONE	RED	1
8	CONTACT PIN	PHOSPHOR BRONZE	GOLD	1
7	HEX NUT	BRASS	NICKEL	1
6	WASHER	BRASS	NICKEL	1
5	GASKET	SILICONE	RED	1
4	TAP HAT	BRASS	NICKEL	1
3	HOUSING	BRASS	NICKEL	1
2	INSULATOR	PTFE	NATURAL	1
1	BODY	BRASS	NICKEL	1

UNLESS OTHERWISE SPECIFIED DIMENSIONS ARE IN MILLIMETERS. DIMENSIONS IN [ ] ARE IN INCHES AND FOR CUSTOMER REFERENCE ONLY.

UNLESS OTHERWISE SPECIFIED TOLERANCES FOR MILLIMETERS ARE:  
0.5 - 8mm ± 0.20mm  
8 - 30mm ± 0.40mm  
30 - 120mm ± 0.50mm

UNLESS OTHERWISE SPECIFIED TOLERANCES FOR INCHES ARE:  
.020 - .315 ± ± 0.007"  
.315 - 1.180 ± ± 0.015"  
1.180 - 4.724 ± ± 0.020"

DO NOT SCALE DRAWING

APPROVALS	DATE
DRAWN M.ZHANG	09/15/10
CHECKED	
ISSUED	
SHEET 1 OF 1	
CAD FILE C:/CONNEX/122452.DWG	

PART DESCRIPTION			
<b>Amphenol Connex</b>			
TNC BULKHEAD CLAMP JACK (FOR RG-174/U,188A/U,316/U)			
PART NO. 122452			
DWG. NO.	122452.DWG	REV. NC	SCALE NA

# Mouser Electronics

Authorized Distributor

Click to View Pricing, Inventory, Delivery & Lifecycle Information:

[Amphenol:](#)

[122452](#)