



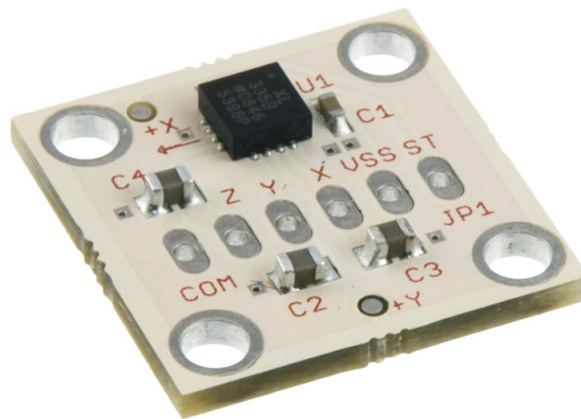
# DKSB1002A

## Analog Devices ADXL335 Prototyping Board

01 Nov 2009

### Features

Analog Devices ADXL335 3-axis accelerometer



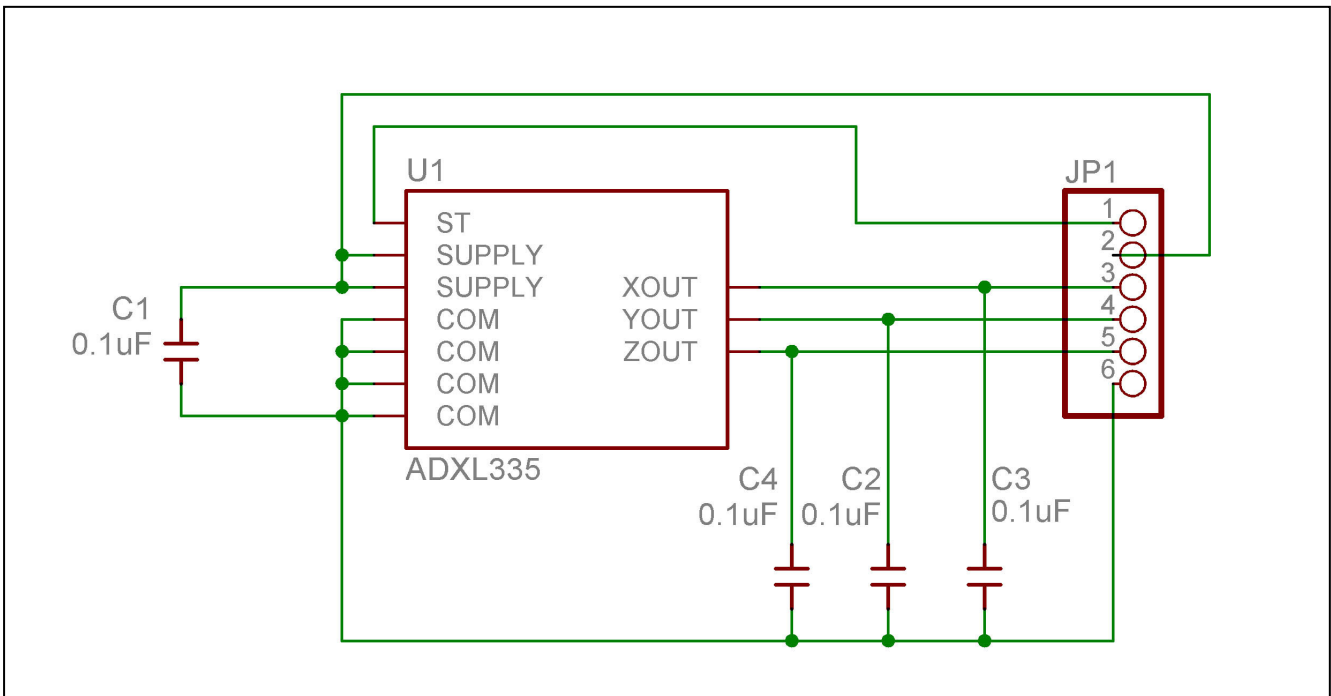
### Functional Description

The DKSB1002B is a low cost, minimal implementation of the Analog Devices ADXL335 three-axis accelerometer. It provides a convenient means of making mechanical and electrical connections to the ADXL335, facilitating its use when the surface mount form factor of the device might otherwise be inconvenient.

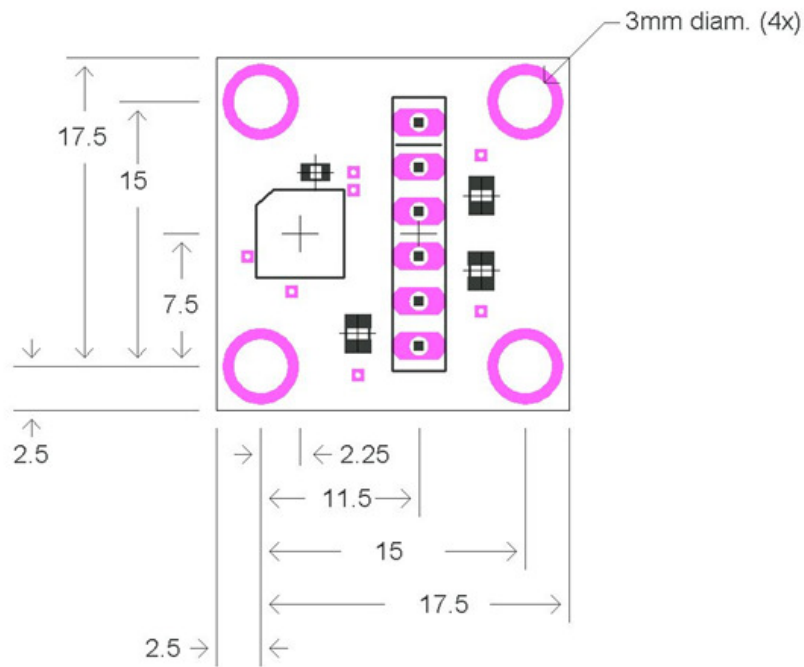
The DKSB1002B is modeled after the Analog Devices EVAL-ADXL335Z evaluation board for the ADXL335. Both boards are approximately 20mm square with mounting holes on a 15mm spacing. The orientation and location of the accelerometer and 6-pin connector are common to both boards as well. The locations of the output filter capacitors differ from those on the EVAL-ADXL335Z in order to facilitate manual replacement of these components if a change in their value is desired.

Please refer to the ADXL335 datasheet at [www.analog.com](http://www.analog.com) for electrical specifications and application information.

## Schematic



## Physical Dimensions



All dimensions in millimeters  
Typical values shown

## Bill of Materials

Ref-Des	Digi-Key P/N	Mfr P/N	Description
C1	PCC2277CT-ND	ECJ-1VB1E104K	0.1uF ceramic cap X7R 25V 0603
C2,C3,C4	PCC1828CT-ND	ECJ-2VB1E104K	0.1uF ceramic cap X7R 25V 0805
U1	ADXL335BCPZ-RL7CT-ND	ADXL335BCPZ-RL7	3-axis accelerometer
JP1	SAM1038-06-ND	SAM1038-06-ND	0.1" header, 0.025" sq. pin, 6 pos

## Hardware Revision History

Rev A:

- Initial Revision

Rev B:

- Cosmetic changes to bottom silkscreen layer
- Populated C2,C3,C4 with 0.1uF capacitor
- Populated JP1
- Updated documentation to reflect hardware changes

## Disclaimer

This document is for informational use only and is subject to change without prior notice. Digi-Key makes no commitment to update or keep current the information contained herein. Digi-Key does not guarantee or warrant that any information provided is accurate, complete, or correct and disclaims any and all liability associated with the use of the information contained herein. The use of this information and Digi-Key's liability is subject to Digi-Key's standard Terms & Conditions which can be found at [www.digi-key.com](http://www.digi-key.com) by clicking on the Terms & Conditions link at the bottom of the web page.

No license, whether express, implied, arising by estoppel or otherwise is granted under any intellectual property or other rights of Digi-Key or others.

DIGI-KEY MAKES NO REPRESENTATIONS OR WARRANTIES OF ANY KIND WHETHER EXPRESS OR IMPLIED, WRITTEN OR ORAL, STATUTORY OR OTHERWISE, RELATED TO THE INFORMATION, INCLUDING BUT NOT LIMITED TO PRODUCT CONDITION, QUALITY, PERFORMANCE, MERCHANTABILITY OR FITNESS FOR PURPOSE.

Digi-Key disclaims all liability arising from this information and its use. Use of Digi-Key devices in life support and/or safety applications is entirely at the buyer's risk, and the buyer agrees to defend, indemnify and hold harmless Digi-Key from any and all damages, claims, suits, or expenses resulting from such use. No licenses are conveyed, implicitly or otherwise, under any Digi-Key intellectual property rights.

## Trademarks

DIGI-KEY® is a registered trademark of Digi-Key Corporation. All other trademarks, service marks and product names contained herein are the sole property of their respective owner and their use is for informational purposes only and does not imply any endorsement, recommendation, sponsorship or approval by the trademark owner of the contents.

## Copyright

**Use of this document is limited to customer's internal business use for the evaluation and purchase of products. No permission is granted to the user to copy, print, store, distribute, transmit, display in public or modify the content of this document in any way for any other purpose.**

© Copyright 2009 Digi-Key Corporation. All rights reserved.