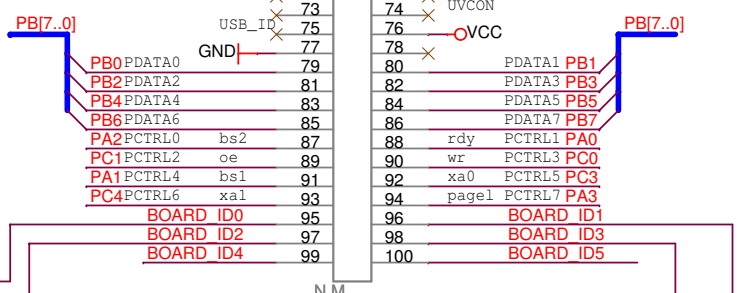
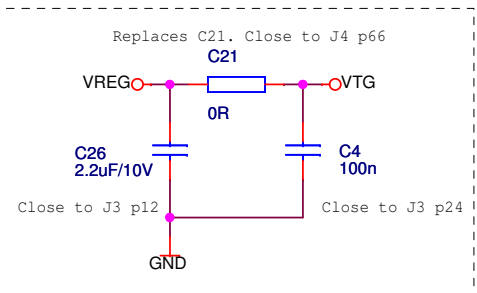
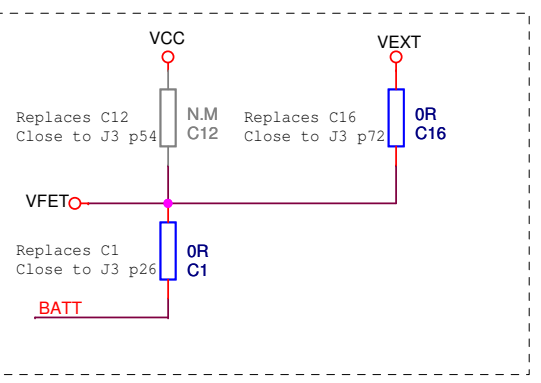
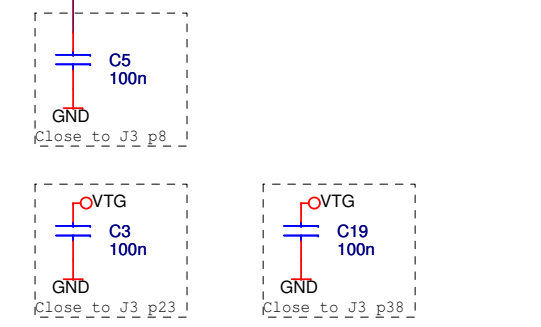
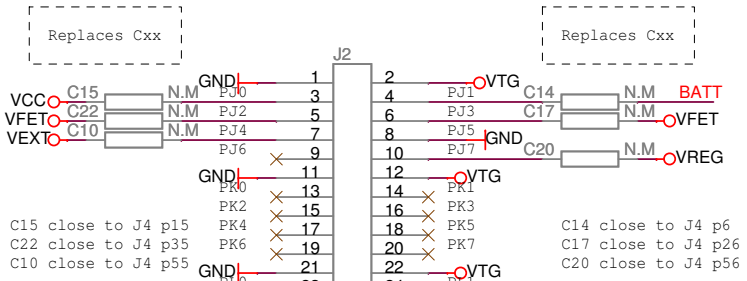
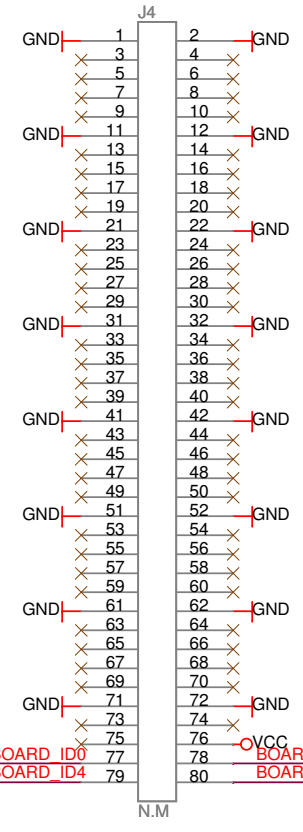
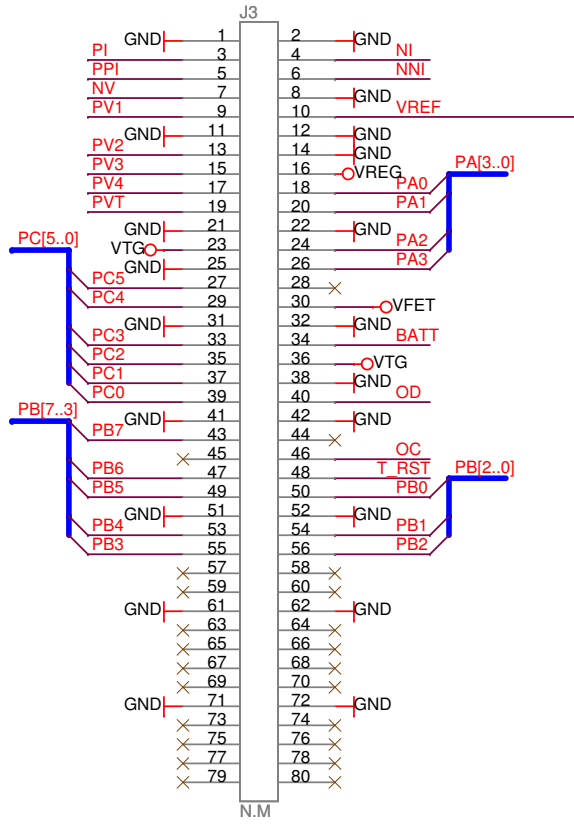
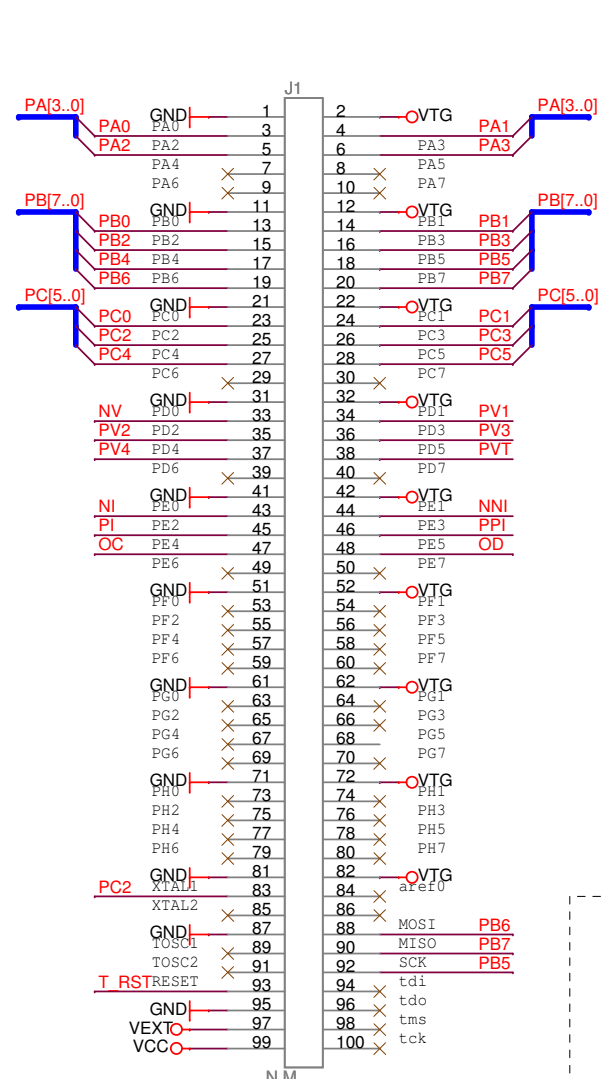
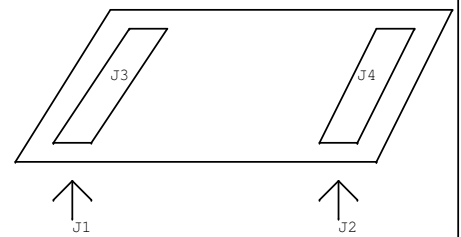
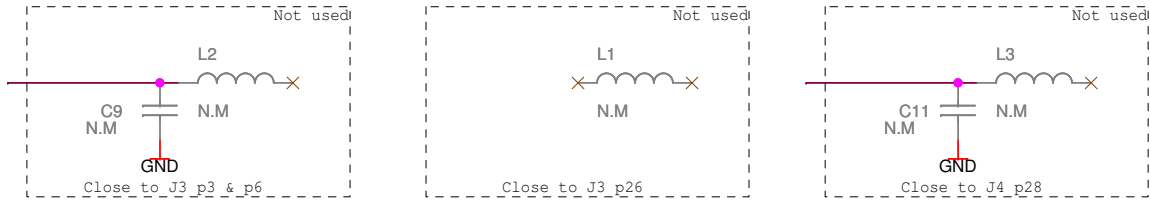
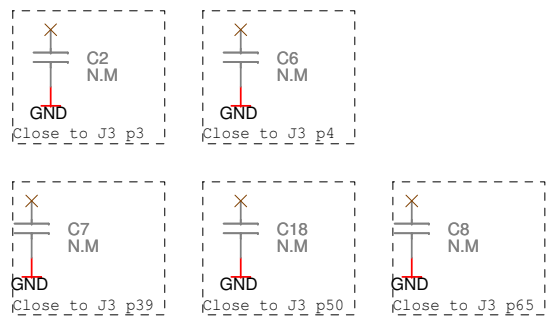
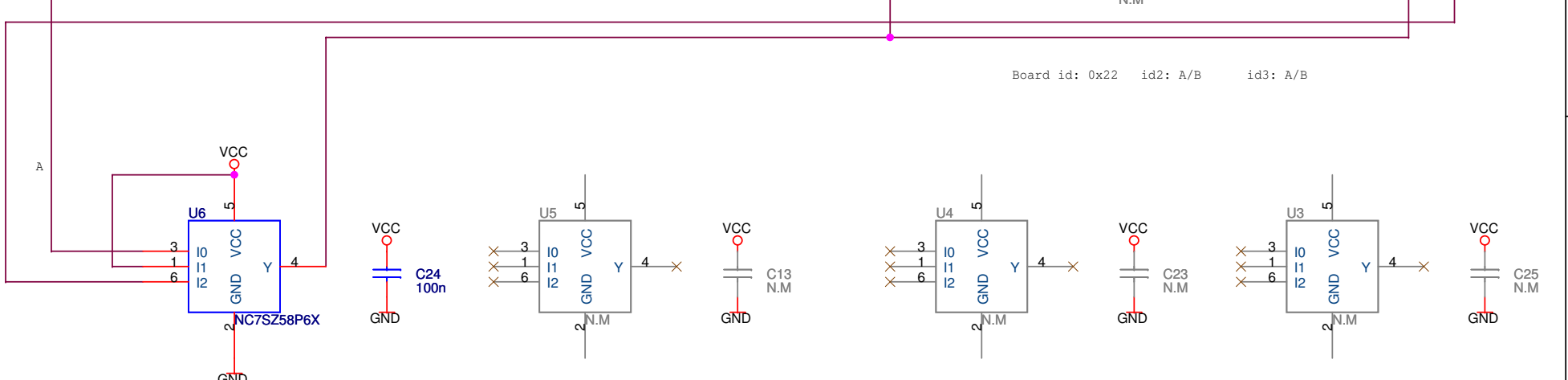
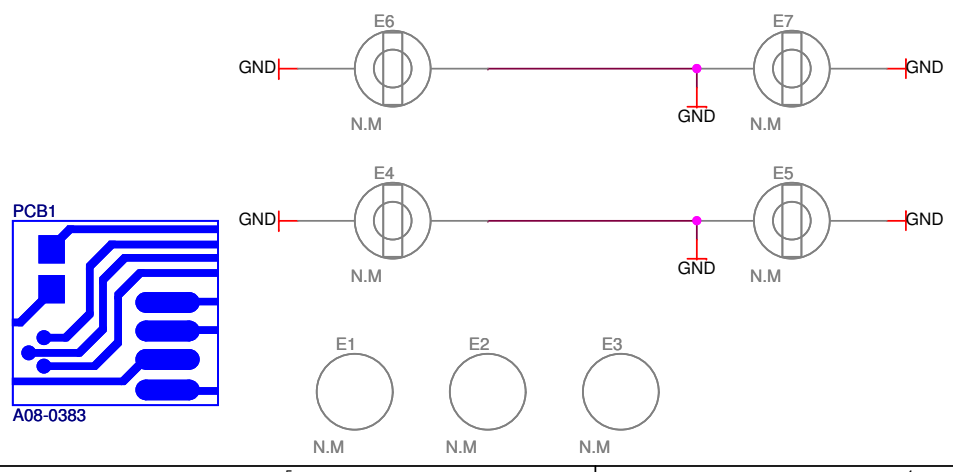


STK600-RC044M-24 Routing card

J3 and J4 mates up to the socket card, while J1 and J2 goes down to the mother board. J1 is physical placed below J3, and J2 below J4.



Board id: 0x22 id2: A/B id3: A/B



ATMEL Norway AS
Vestre Rosten 79
N-7075 TILLER
Norway

ATMEL

Title: STK600-RC044M-24 routing card
Size: A3 Document Number: <Doc> Rev: A
Date: Monday, July 02, 2007 Sheet: 1 of 1

Mouser Electronics

Authorized Distributor

Click to View Pricing, Inventory, Delivery & Lifecycle Information:

[Microchip:](#)

[ATSTK600-RC24](#)