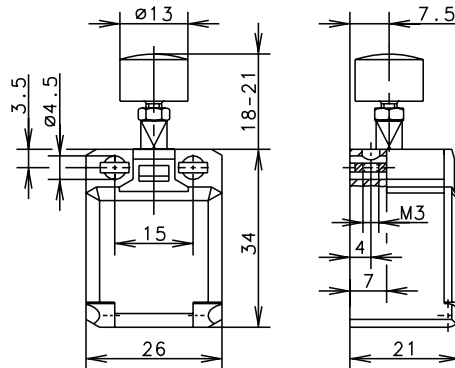


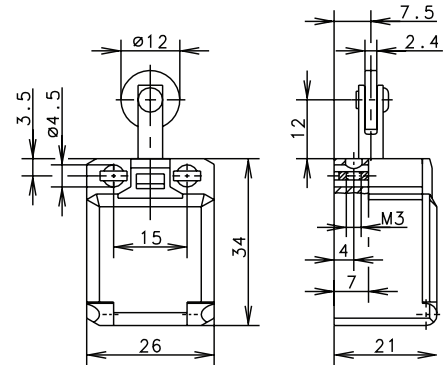
**C2 Series**



**K**



**R**



Switching Operation	Slow Action	Snap Action	Slow Action	Snap Action
<b>1 NC / 1 NO Contacts</b>	<b>600.8107.019</b> C2-U1Z K 	<b>600.8357.020</b> C2-SU1Z K 	<b>600.8116.013</b> C2-U1Z R 	<b>600.8366.014</b> C2-SU1Z R 
<b>2 NC Contacts</b>	<b>600.8807.021</b> C2-A2Z K 	<b>600.8857.022</b> C2-SA2Z K 	<b>600.8816.015</b> C2-SU1Z R 	<b>600.8866.016</b> C2-SA2Z R 
<b>2 NO Contacts</b>	-	-	<b>600.8816.017</b> C2-E2 R 	-
<b>1 NC / 1 NO Contacts Overlapping</b>	-	-	-	-

**Technical Information**

	Slow Action	Snap Action	Slow Action	Snap Action
Maximum Switching Voltage	240V	240V	240V	240V
Maximum Switching Amperage	10A	10A	10A	10A
B10d	6 Million	6 Million	6 Million	6 Million
Mechanical Service Life	3 x 10 <sup>6</sup>	3 x 10 <sup>6</sup>	3 x 10 <sup>6</sup>	3 x 10 <sup>6</sup>
Switching Frequency	≤ 100/min	≤ 100/min	≤ 100/min	≤ 100/min
Operating Temperature	-30 °C to +80 °C	-30 °C to +80 °C	-30 °C to +80 °C	-30 °C to +80 °C
Protection Rating	IP20	IP20	IP20	IP20
Utilization Category	AC-15, Ue/Ue 240V 3A	AC-15, Ue/Ue 240V 3A	AC-15, Ue/Ue 240V 3A	AC-15, Ue/Ue 240V 3A
Rate Insulation Voltage	240VAC	240VAC	240VAC	240VAC
Approvals				

# Mouser Electronics

Authorized Distributor

Click to View Pricing, Inventory, Delivery & Lifecycle Information:

[Altech:](#)

[600.8366.014](#) [600.8866.016](#) [600.8816.015](#) [600.8357.020](#) [600.8116.013](#) [600.8816.017](#) [600.8107.019](#)  
[600.8807.021](#) [600.8857.022](#)