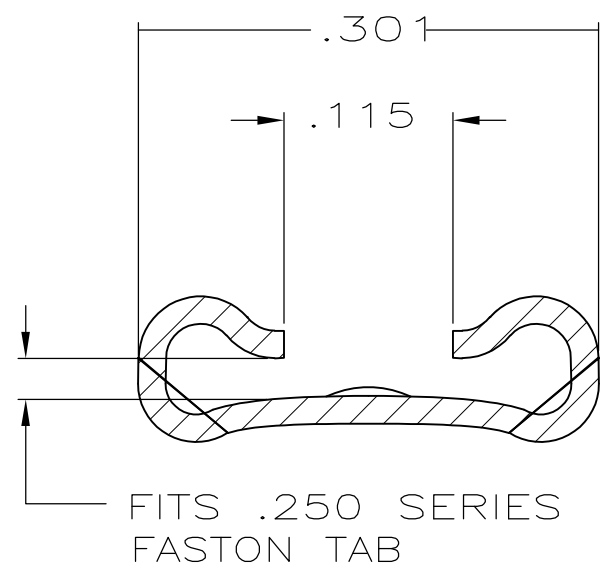
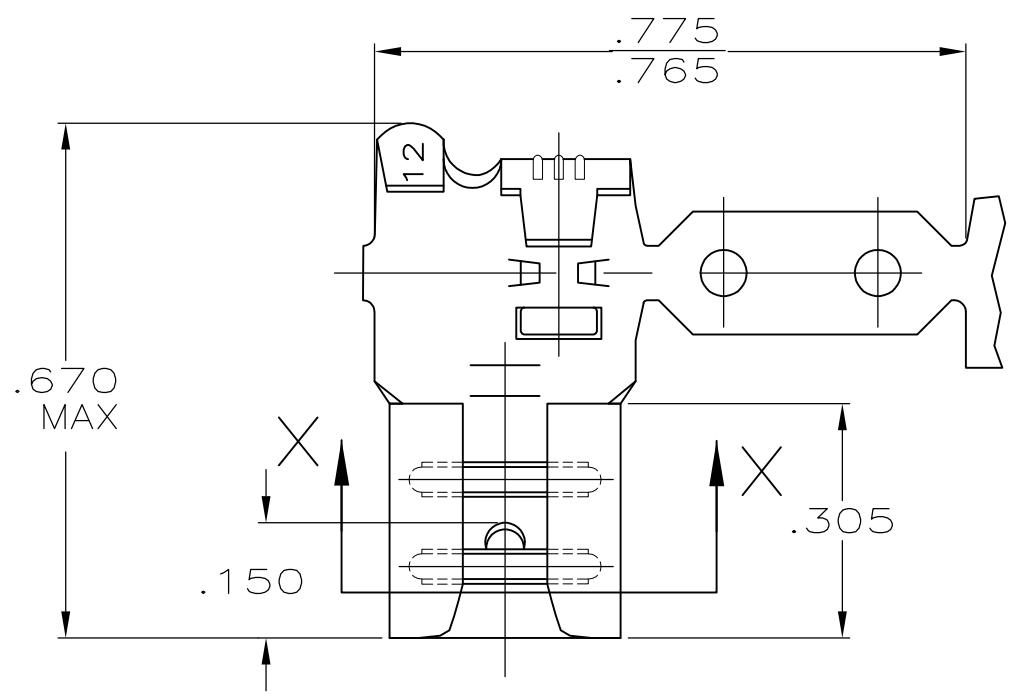


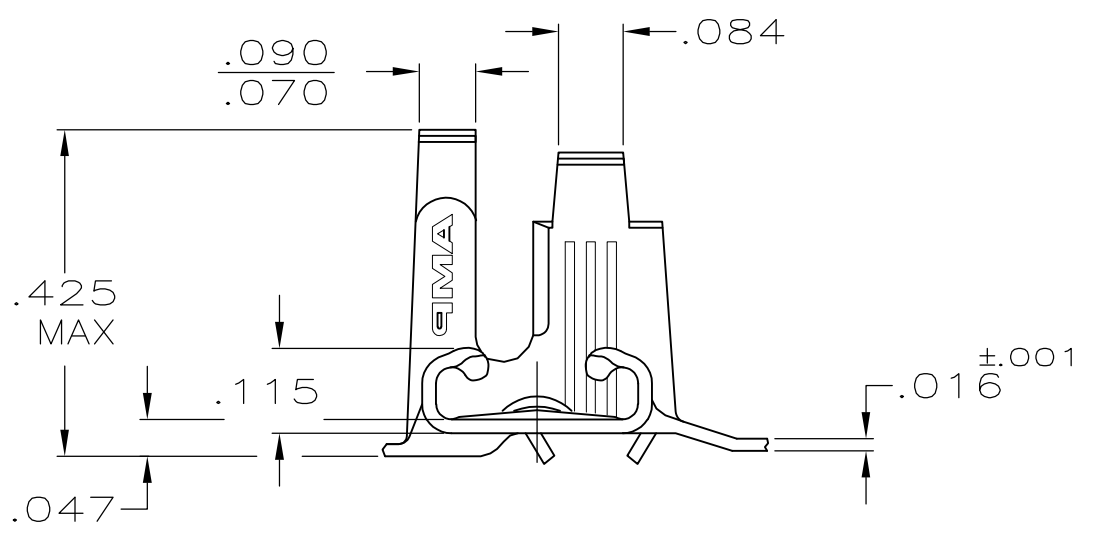
THIS DRAWING IS UNPUBLISHED. RELEASED FOR PUBLICATION
 © COPYRIGHT - By - ALL RIGHTS RESERVED.

LOC	DIST	REVISIONS			
P	LTR	DESCRIPTION	DATE	DWN	APVD
AF	50	S	REVISED PER ECR-12-013445	09NOV12	KH PD



SECTION X-X
SCALE 8:1

- 1 CONTINUOUS STRIP ON REELS.
- 2 FOREIGN PRODUCTION ONLY.
- 4 MATING TAB THK IS .032±.001.
- 5 WIRE SIZE IS #18-#12 AWG
- 6 INSULATION RANGE IS .110-.210 DIA.
- 7 PRELIMINARY - NOT FOR PRODUCTION



FINISH	MATERIAL	PART NO
.000150 MIN NICKEL	T2 STEEL	42742-5
PRE-TIN	4M BRASS	42742-3
TIN	BRASS	42742-2
-	BRASS	42742-1

THIS DRAWING IS A CONTROLLED DOCUMENT.		DWN JR RUTH 1/23/91	TE Connectivity RECEPTACLE, FASTON,™ FLAG, .250 SERIES					
DIMENSIONS: INCHES		CHK MS FEHER 1/24/93				NAME		
		APVD J GILLESPIE 1/24/93				PRODUCT SPEC		
TOLERANCES UNLESS OTHERWISE SPECIFIED:		APPLICATION SPEC						
0 PLC ± - 1 PLC ± - 2 PLC ± - 3 PLC ± .015 4 PLC ± - ANGLES ± -		WEIGHT -	SIZE A3	CAGE CODE 00779	DRAWING NO C-42742	RESTRICTED TO -		
MATERIAL BRASS		FINISH SEE TABLE		CUSTOMER DRAWING		SCALE 4:1	SHEET 1 OF 1	REV S

Mouser Electronics

Authorized Distributor

Click to View Pricing, Inventory, Delivery & Lifecycle Information:

[TE Connectivity:](#)

[42742-2 \(MOUSER REEL\)](#) [42742-2 \(CUT STRIP\)](#)