

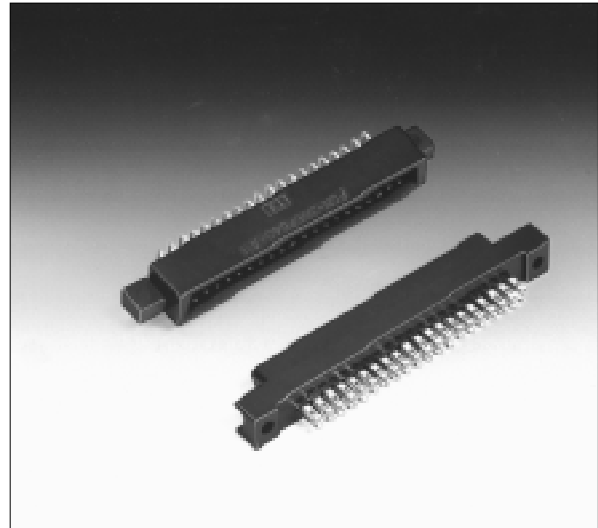
# RECTANGULAR CONNECTORS

## FCN-360 SERIES

*Not for New Design*

### ■ FEATURES

- Many applications  
Various connectors are available for connection by means of soldering, wire wrapping, crimping, PC board mounting, and insulation displacement connection (IDC). The user can choose a plug and jack combination that best meet each application.
- Small size for high-density mounting  
The connectors are small with a contact and terminal pitch of 2.54 mm (0.100 in.) between pins and between rows and are thus well suited for high-density mounting.
- Sturdy shell guide  
Sturdy shell guides are used to prevent mismatching and to protect the pins.
- Excellent cost performance  
Streamlined design and automated manufacturing, including use of partial solder plating, provide excellent cost performance.



### ■ SPECIFICATIONS

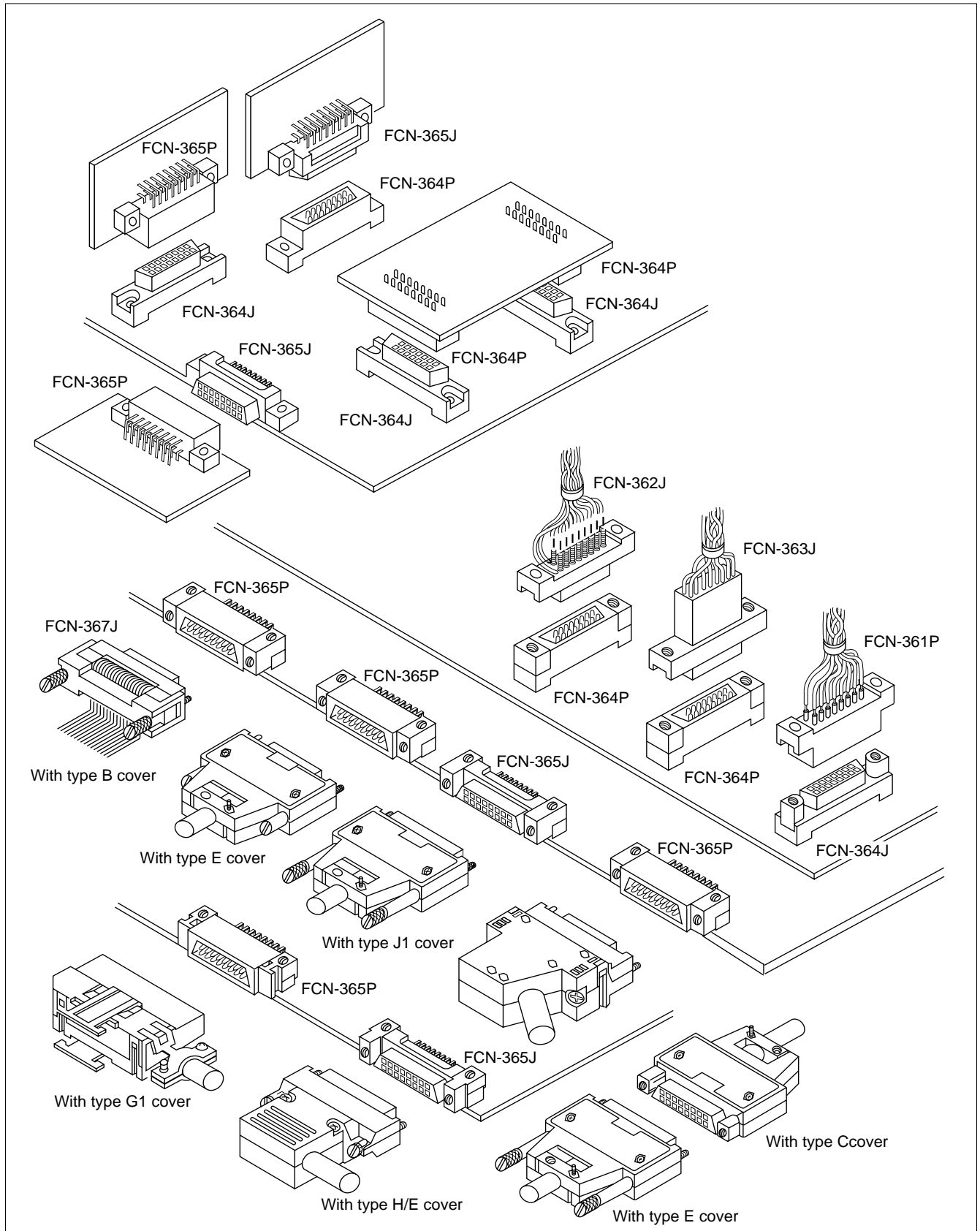
| Item                            | Specification                                       |  |
|---------------------------------|---|--|
| Operating temperature range     | -55°C to +85°C                                      |  |
| Current Rating                  | DC 3 A (IDC type: 1 A)                              |  |
| Voltage Rating                  | AC 250 V  |  |
| Contact resistance              | 15 mΩ max. (DC 6 V, 0.3 A)                          |  |
| Insulation resistance           | 1000 MΩ min. (DC 500 V)                             |  |
| Dielectric withstanding voltage | AC 500 V for 1 minute                               |  |
| Insertion force                 | 2.5 kg max. (8 contacts), 20 kg max. (64 contacts)  |  |
| Withdrawal force                | 0.3 kg min. (8 contacts), 2.3 kg min. (64 contacts) |  |
| Applicable wire                 | Soldering   | φ0.60 mm (0.024 in.) max, AWG #23 or less  |
|                                 | Wire-wrapping                                       | φ0.32 mm (0.013 in.) to φ0.26 mm (0.010 in.), AWG #28 to #30   |
|                                 | Crimping  | Standard contacts φ0.51 mm (0.020 in.) to φ0.32 mm (0.013 in.), AWG #24 to #28, insulator φ1.2 mm (0.047 in.) max.<br>Contacts for thick wires φ0.64 mm (0.025 in.) to φ0.32 mm (0.013 in.), AWG #22 to #28, insulator φ1.7 (0.067 in.) max. |
|                                 | IDC   | Flat cable 1.27 mm (0.050 in.) pitch, AWG #28 (stranded wire), AWG #30 (solid wire)  |
| Applicable PC board             | 1.6 mm (0.063 in.) standard thick                   |  |

### ■ MATERIALS

| Item      | Material                     |
|-----------|------------------------------|
| Insulator | Polyester (363J: PC94V-2)    |
| Conductor | Copper alloy                 |
| Plating   | Gold plating, silver plating |

# FCN-360 Series

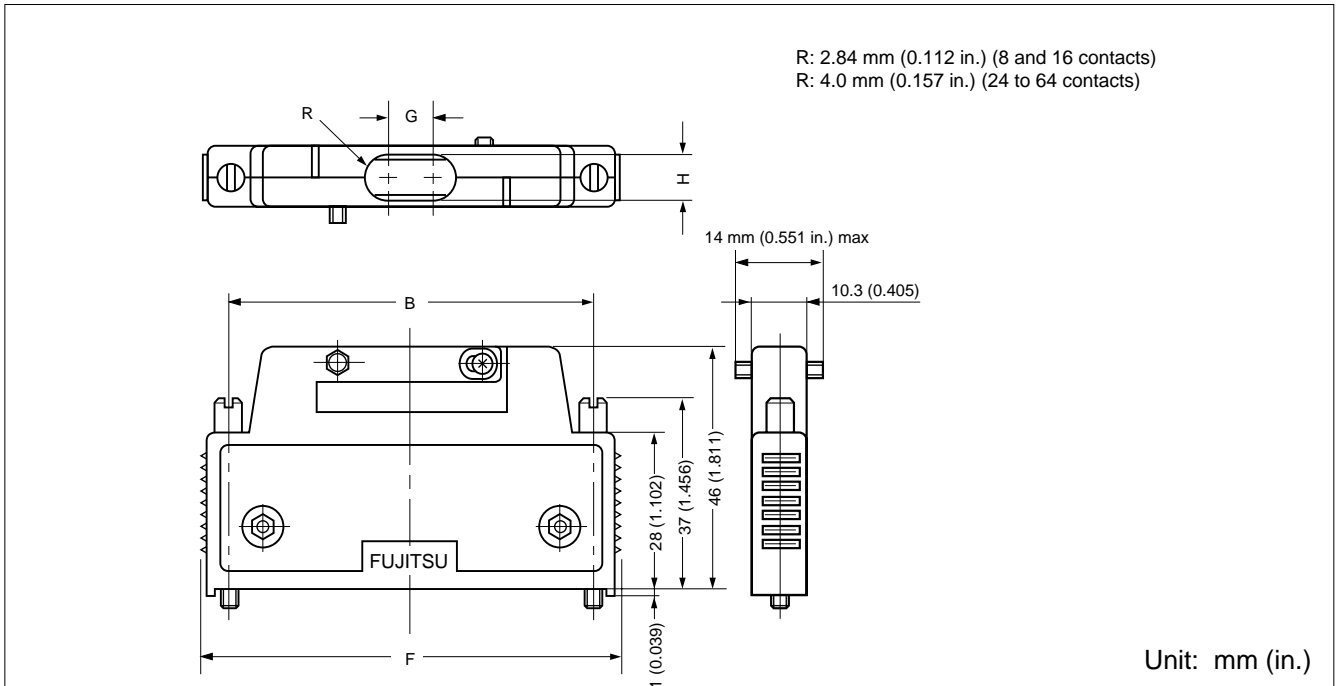
## APPLICATION EXAMPLE



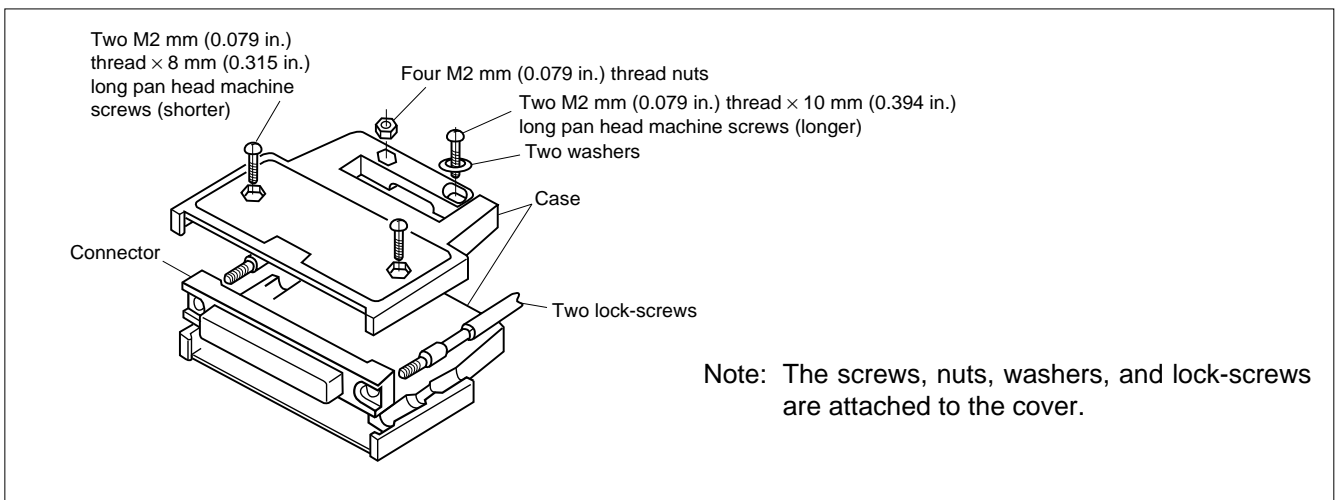
# FCN-360 Series

## COVER (TYPE B)

### ■ DIMENSIONS



### ■ EXPLODED VIEW



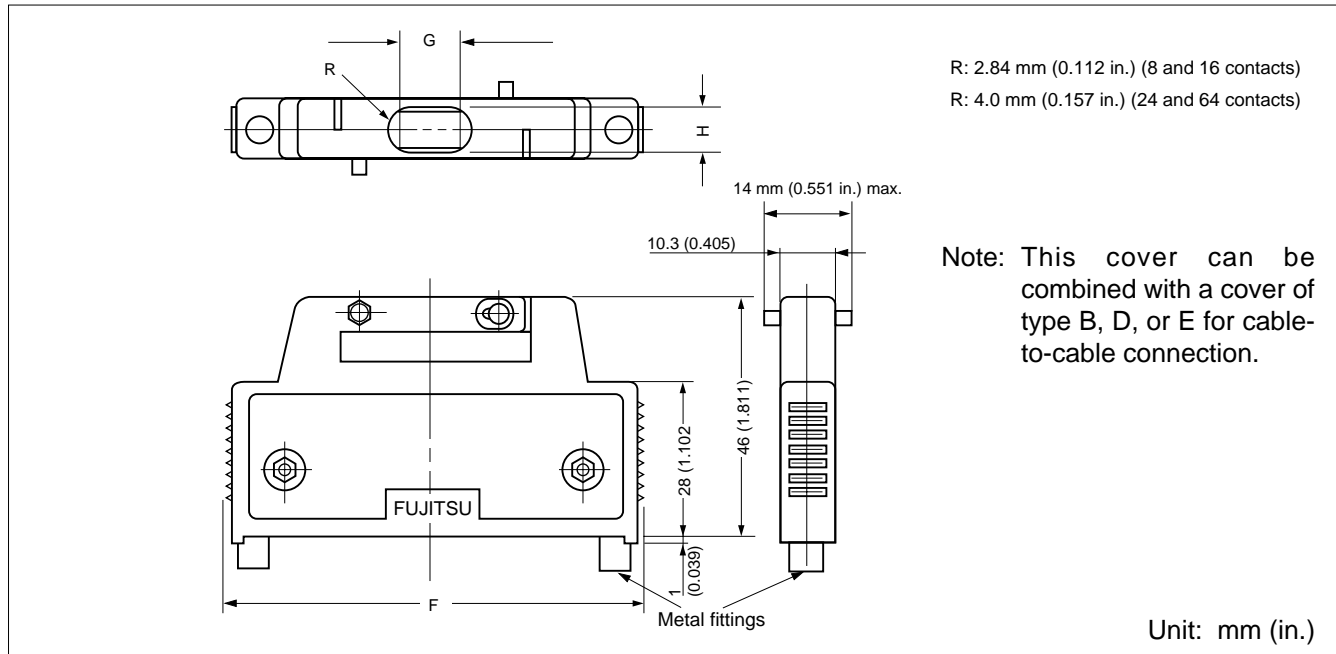
### ■ PART NUMBERS AND DIMENSIONS

| Number of contacts | Part number   | Dimensions: mm (in.) |                |              |               |
|--------------------|---------------|----------------------|----------------|--------------|---------------|
|                    |               | B                    | F              | G            | H             |
| 8                  | FCN-360C008-B | 23.34 (0.918)        | 32.08 (1.262)  | —            | ∅ 5.7 (0.224) |
| 16                 | FCN-360C016-B | 33.50 (1.318)        | 42.24 (1.662)  | —            | ∅ 5.7 (0.224) |
| 24                 | FCN-360C024-B | 43.66 (1.718)        | 52.40 (2.062)  | —            | ∅ 8.0 (0.314) |
| 32                 | FCN-360C032-B | 53.82 (2.118)        | 62.56 (2.462)  | 2.0 (0.078)  | 8.0 (0.314)   |
| 40                 | FCN-360C040-B | 63.98 (2.518)        | 72.72 (2.862)  | 6.0 (0.236)  | 8.0 (0.314)   |
| 48                 | FCN-360C048-B | 74.14 (2.918)        | 82.88 (3.262)  | 10.0 (0.393) | 8.0 (0.314)   |
| 56                 | FCN-360C056-B | 84.30 (3.318)        | 93.04 (3.662)  | 14.0 (0.551) | 8.0 (0.314)   |
| 64                 | FCN-360C064-B | 94.46 (3.718)        | 103.20 (4.062) | 18.0 (0.708) | 8.0 (0.314)   |

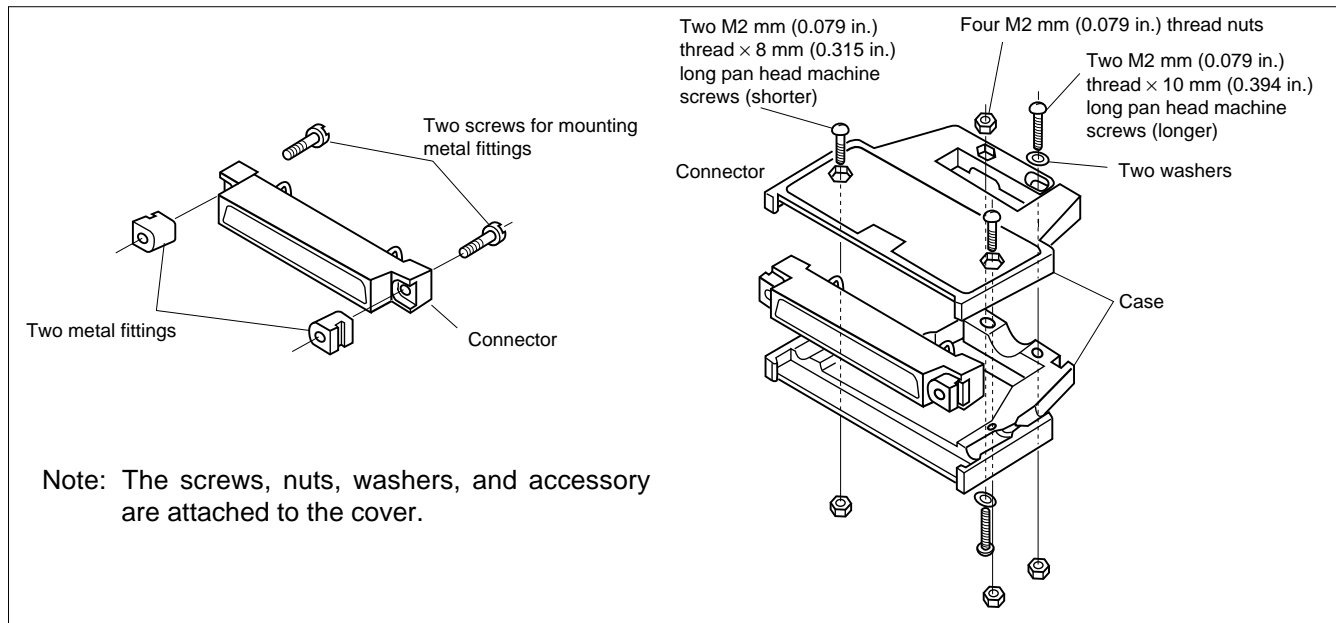
# FCN-360 Series

## COVER FOR CABLE TO CABLE CONNECTION (TYPE C)

### ■ DIMENSIONS



### ■ EXPLODED VIEW



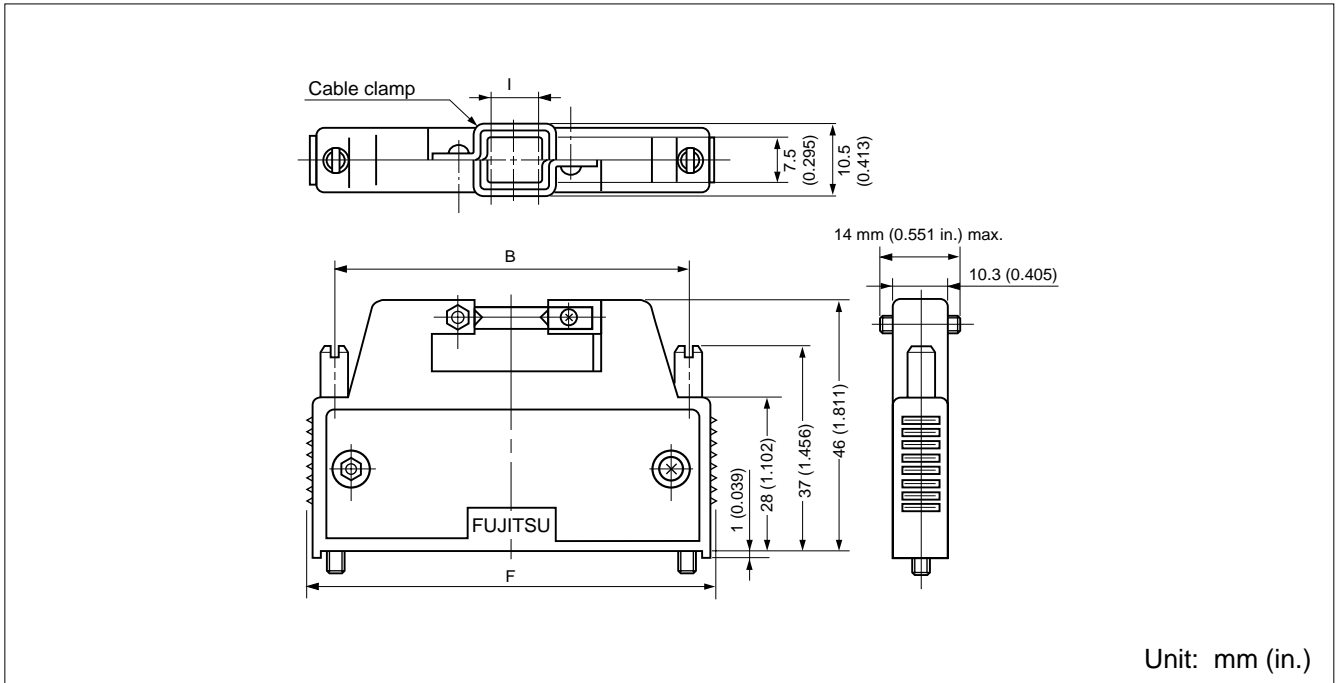
### ■ PART NUMBERS AND DIMENSIONS

| Number of contacts | Part number   | Dimensions: mm (in.) |              |               |
|--------------------|---------------|----------------------|--------------|---------------|
|                    |               | F                    | G            | H             |
| 8                  | FCN-360C008-C | 32.08 (1.262)        | —            | φ 5.7 (0.224) |
| 16                 | FCN-360C016-C | 42.24 (1.662)        | —            | φ 5.7 (0.224) |
| 24                 | FCN-360C024-C | 52.40 (2.062)        | —            | φ 8.0 (0.314) |
| 32                 | FCN-360C032-C | 62.56 (2.462)        | 2.0 (0.078)  | 8.0 (0.314)   |
| 40                 | FCN-360C040-C | 72.72 (2.862)        | 6.0 (0.236)  | 8.0 (0.314)   |
| 48                 | FCN-360C048-C | 82.88 (3.262)        | 10.0 (0.393) | 8.0 (0.314)   |
| 56                 | FCN-360C056-C | 93.04 (3.662)        | 14.0 (0.551) | 8.0 (0.314)   |
| 64                 | FCN-360C064-C | 103.20 (4.062)       | 18.0 (0.708) | 8.0 (0.314)   |

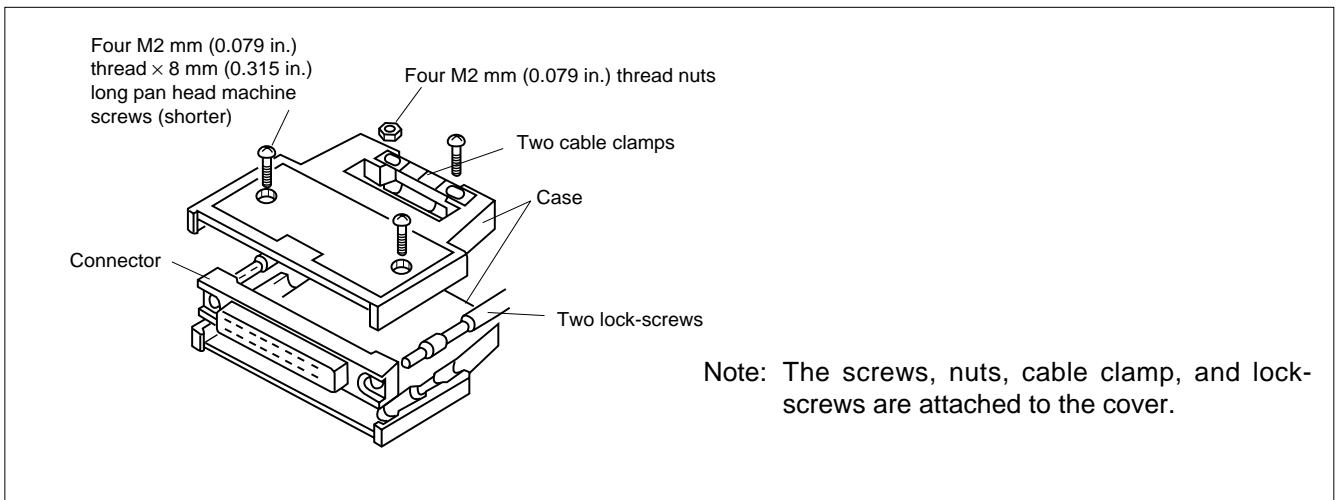
# FCN-360 Series

## COVER (WIDE OPENING TYPE) (TYPE D)

### ■ DIMENSIONS



### ■ EXPLODED VIEW



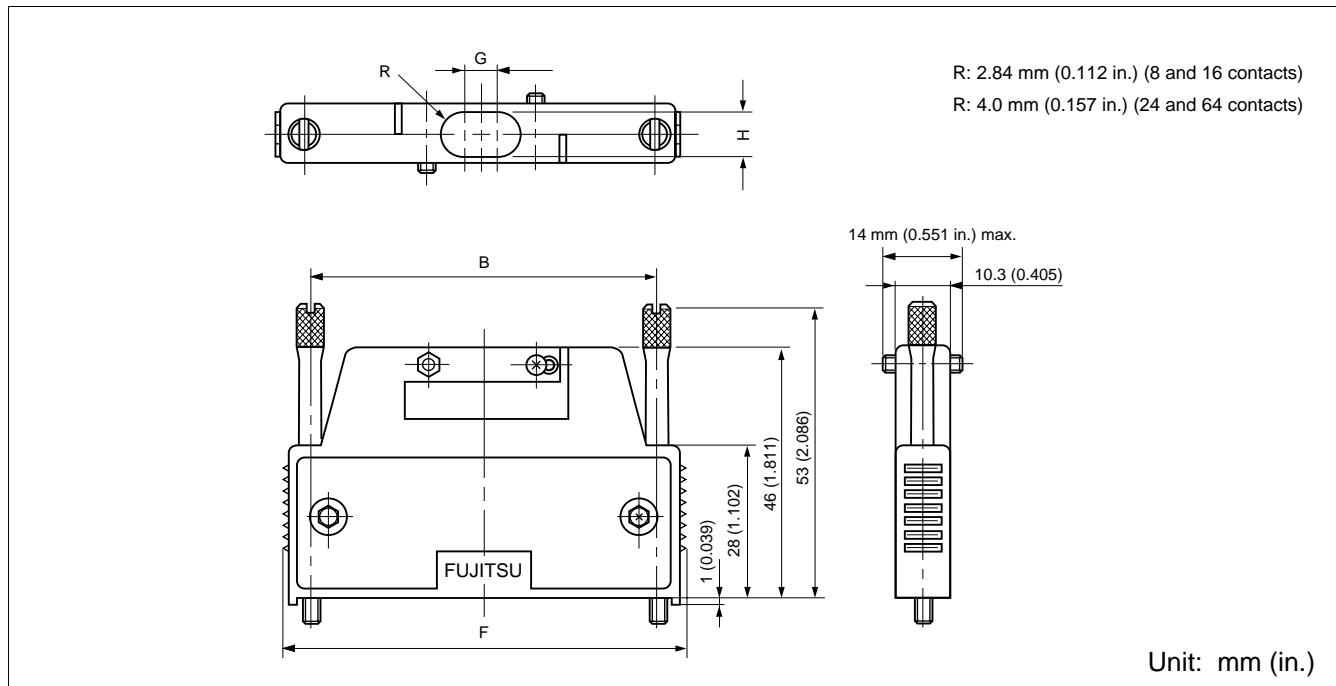
### ■ PART NUMBERS AND DIMENSIONS

| Number of contacts | Part number   | Dimensions: mm (in.) |                |              |
|--------------------|---------------|----------------------|----------------|--------------|
|                    |               | B                    | F              | I            |
| 40                 | FCN-360C040-D | 63.98 (2.518)        | 72.72 (2.862)  | 8.0 (0.314)  |
| 48                 | FCN-360C048-D | 74.14 (2.918)        | 82.88 (3.262)  | 12.0 (0.472) |
| 56                 | FCN-360C056-D | 84.30 (3.318)        | 93.04 (3.662)  | 16.0 (0.629) |
| 64                 | FCN-360C064-D | 94.46 (3.718)        | 103.20 (4.062) | 20.0 (0.789) |

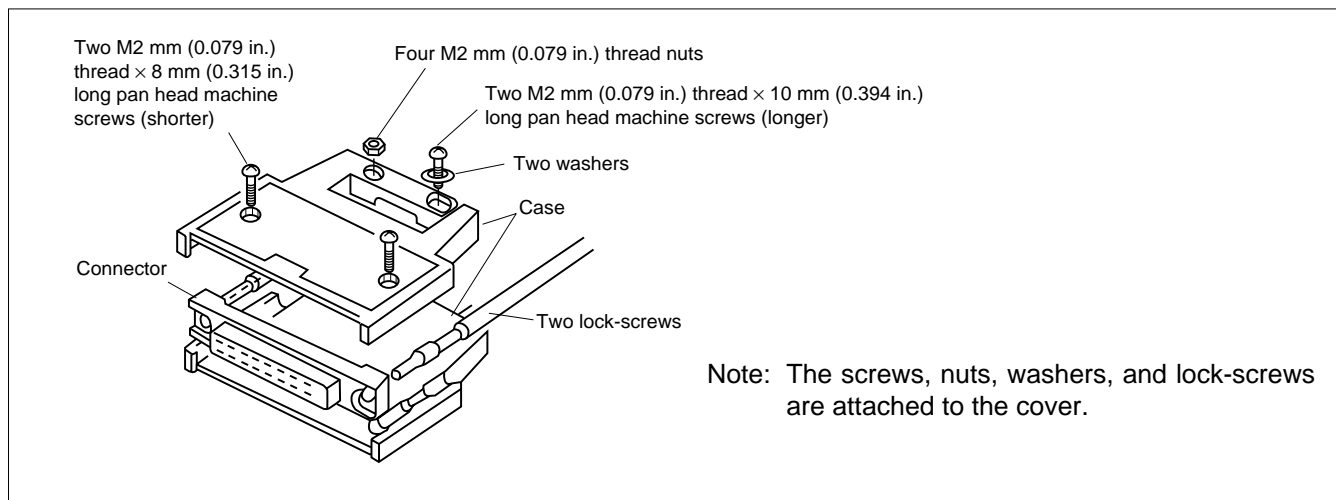
# FCN-360 Series

## COVER (LONG-SCREW TYPE) (TYPE E)

### ■ DIMENSIONS



### ■ EXPLODED VIEW

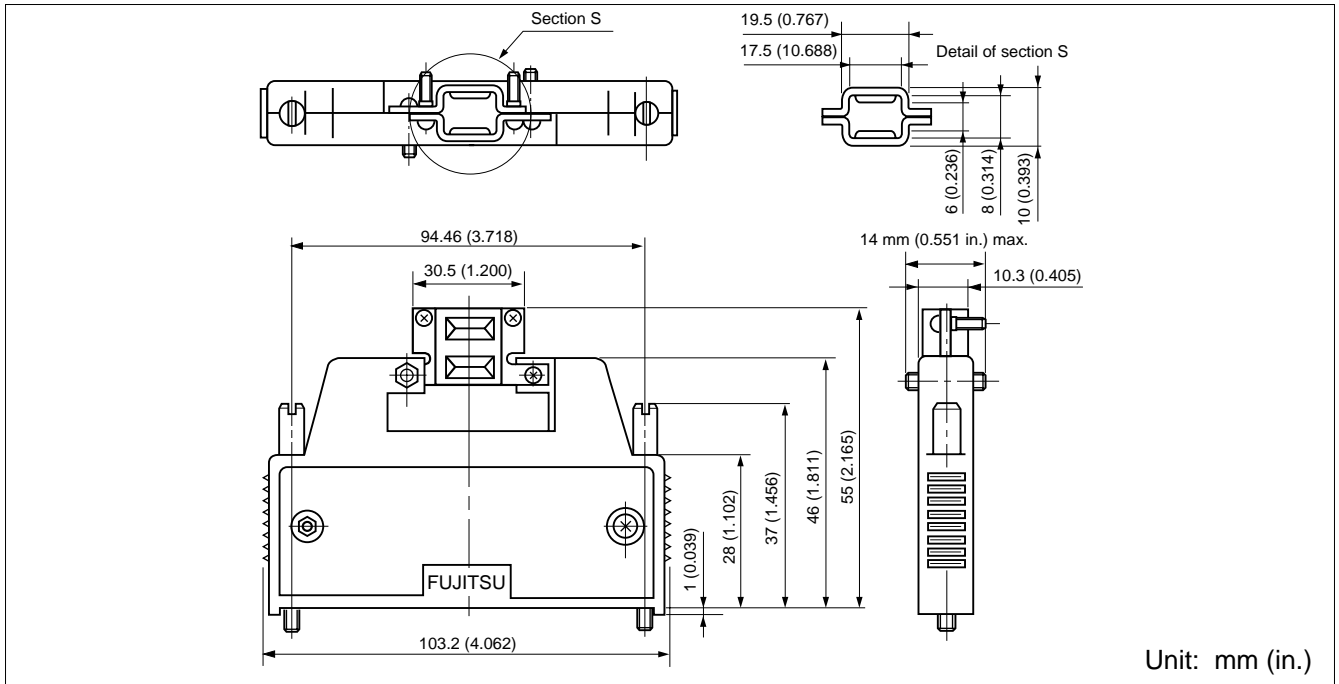


### ■ PART NUMBERS AND DIMENSIONS

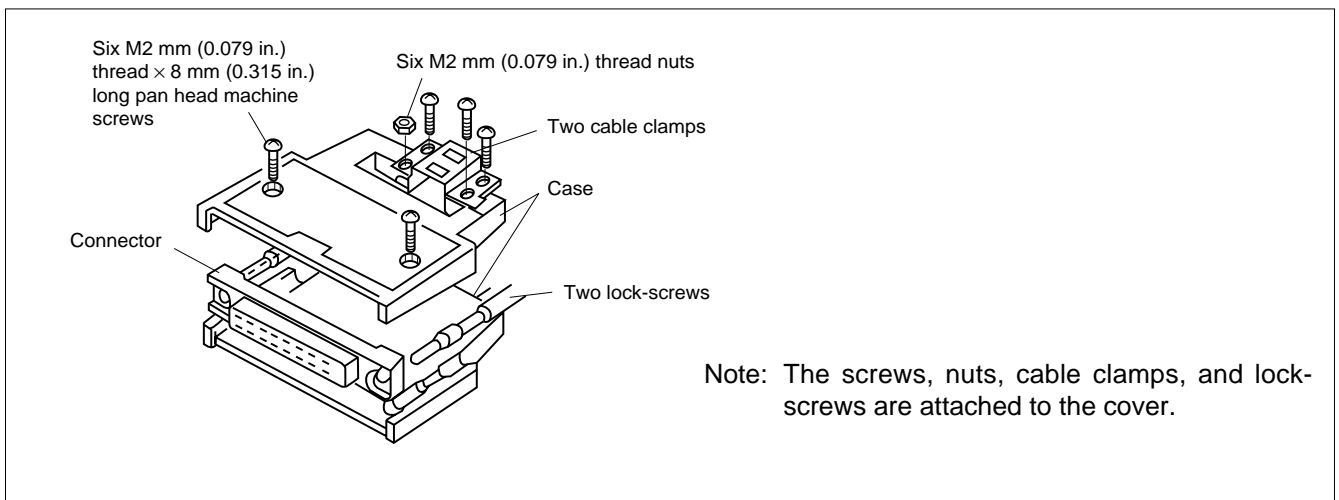
| Number of contacts | Part number   | Dimensions: mm (in.) |                |              |               |
|--------------------|---------------|----------------------|----------------|--------------|---------------|
|                    |               | B                    | F              | G            | H             |
| 8                  | FCN-360C008-E | 23.34 (0.918)        | 32.08 (1.262)  | —            | φ 5.7 (0.224) |
| 16                 | FCN-360C016-E | 33.50 (1.318)        | 42.24 (1.662)  | —            | φ 5.7 (0.224) |
| 24                 | FCN-360C024-E | 43.66 (1.718)        | 52.40 (2.062)  | —            | φ 8.0 (0.314) |
| 32                 | FCN-360C032-E | 53.82 (2.118)        | 62.56 (2.462)  | 2.0 (0.078)  | 8.0 (0.314)   |
| 40                 | FCN-360C040-E | 63.98 (2.518)        | 72.72 (2.862)  | 6.0 (0.236)  | 8.0 (0.314)   |
| 48                 | FCN-360C048-E | 74.14 (2.918)        | 82.88 (3.262)  | 10.0 (0.393) | 8.0 (0.314)   |
| 56                 | FCN-360C056-E | 84.30 (3.318)        | 93.04 (3.662)  | 14.0 (0.551) | 8.0 (0.314)   |
| 64                 | FCN-360C064-E | 94.46 (3.718)        | 103.20 (4.062) | 18.0 (0.708) | 8.0 (0.314)   |

## COVER (STRAIGHT CABLE-OUT COVER) (TYPE F)

### ■ DIMENSIONS



### ■ EXPLODED VIEW



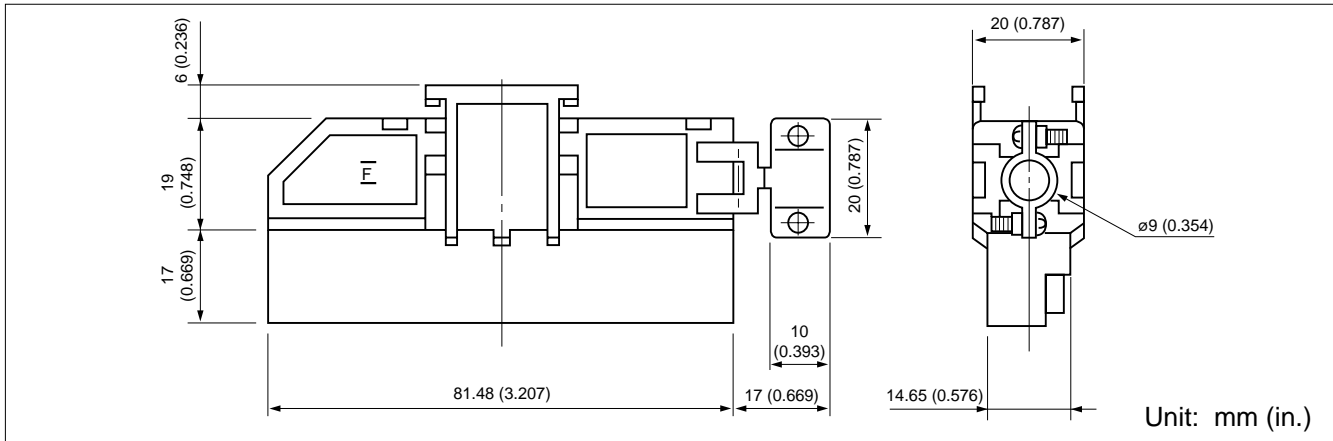
### ■ PART NUMBER

FCN-360C064-F

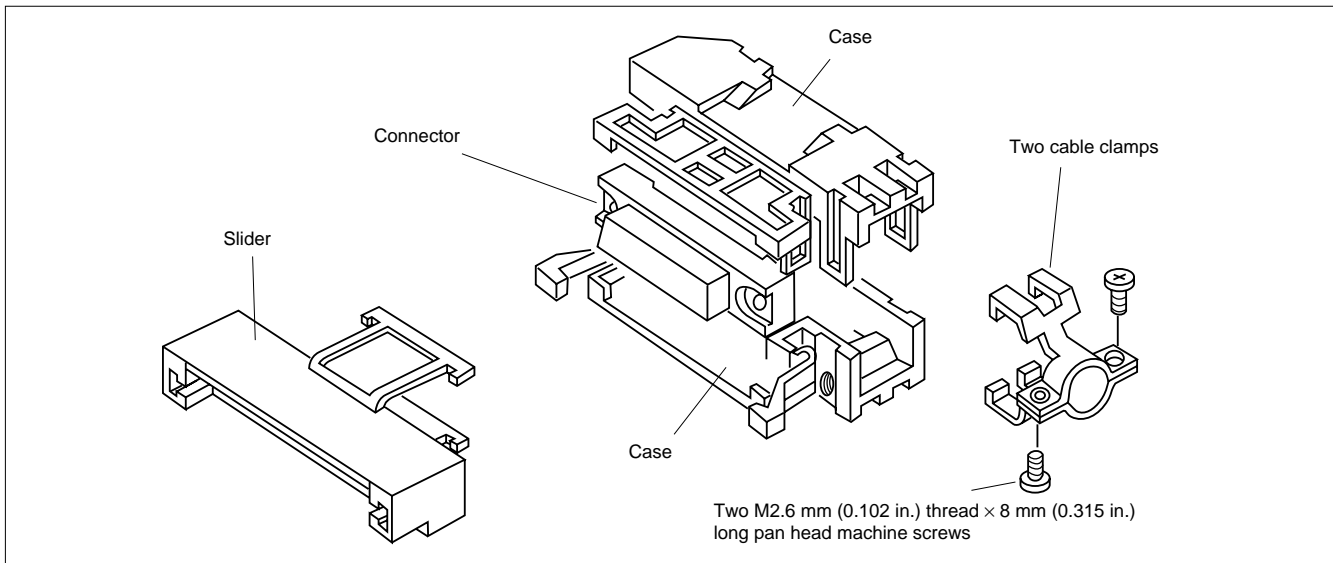
# FCN-360 Series

## COVER (RIGHT ANGLE CABLE-OUT COVER) (TYPE G1)

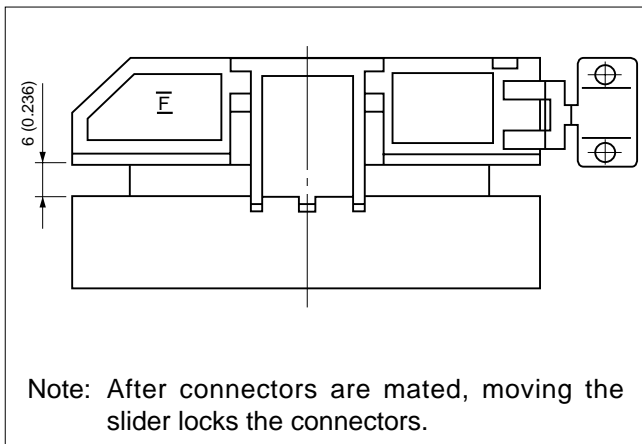
### ■ DIMENSIONS



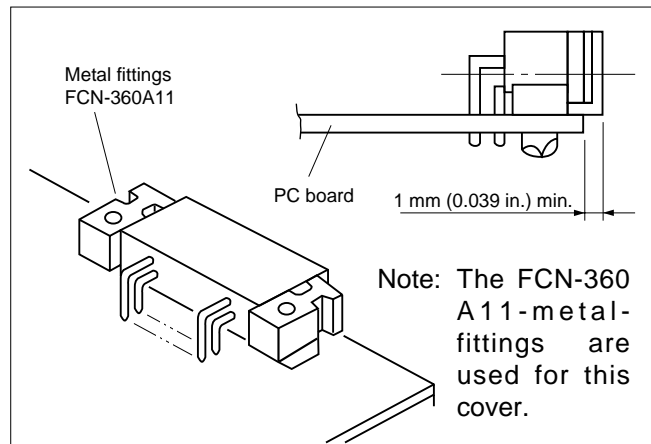
### ■ EXPLODED VIEW



### ■ LOCKED STATE



### ■ METAL FITTINGS



### ■ PART NUMBER

FCN-360C040-G1

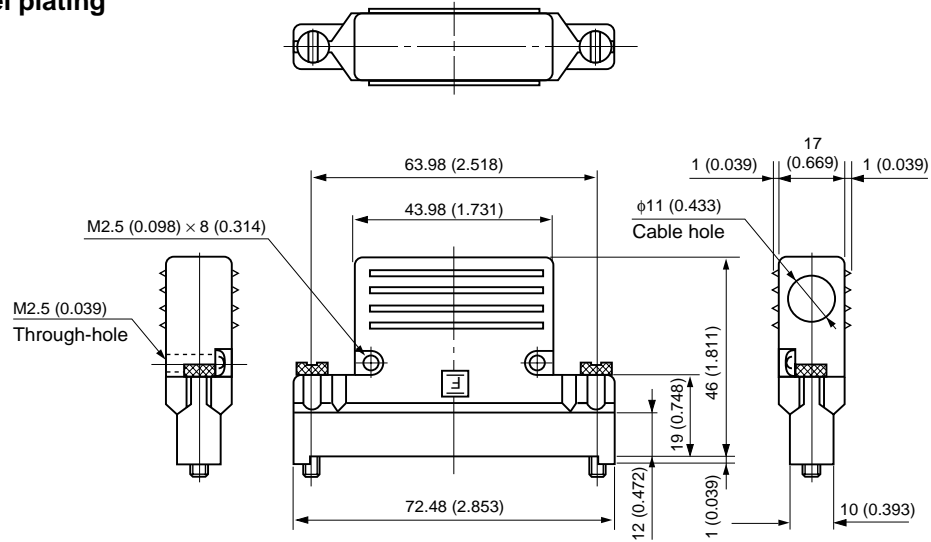


## COVER (RIGHT ANGLE CABLEOUT COVER) (TYPE H/E)

### ■ DIMENSIONS

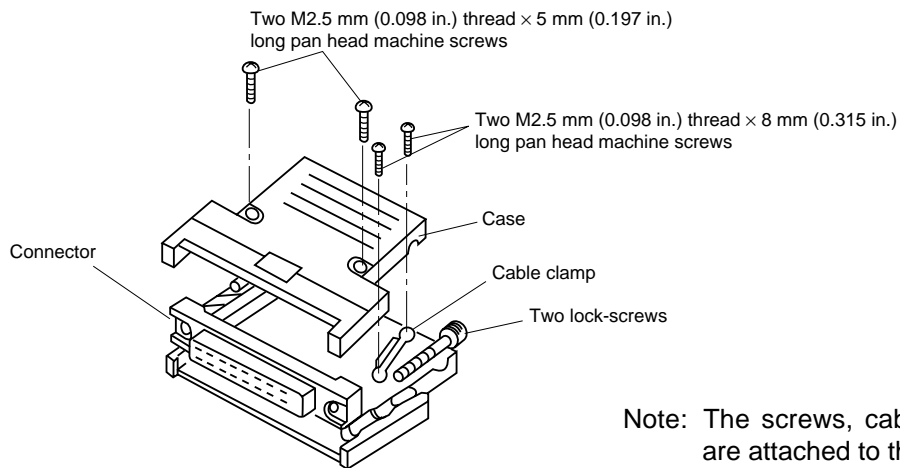
Material: Zinc die cast

Plating: Nickel plating



Unit: mm (in.)

### ■ EXPLODED VIEW



Note: The screws, cable clamp, and lock-screws are attached to the cover.

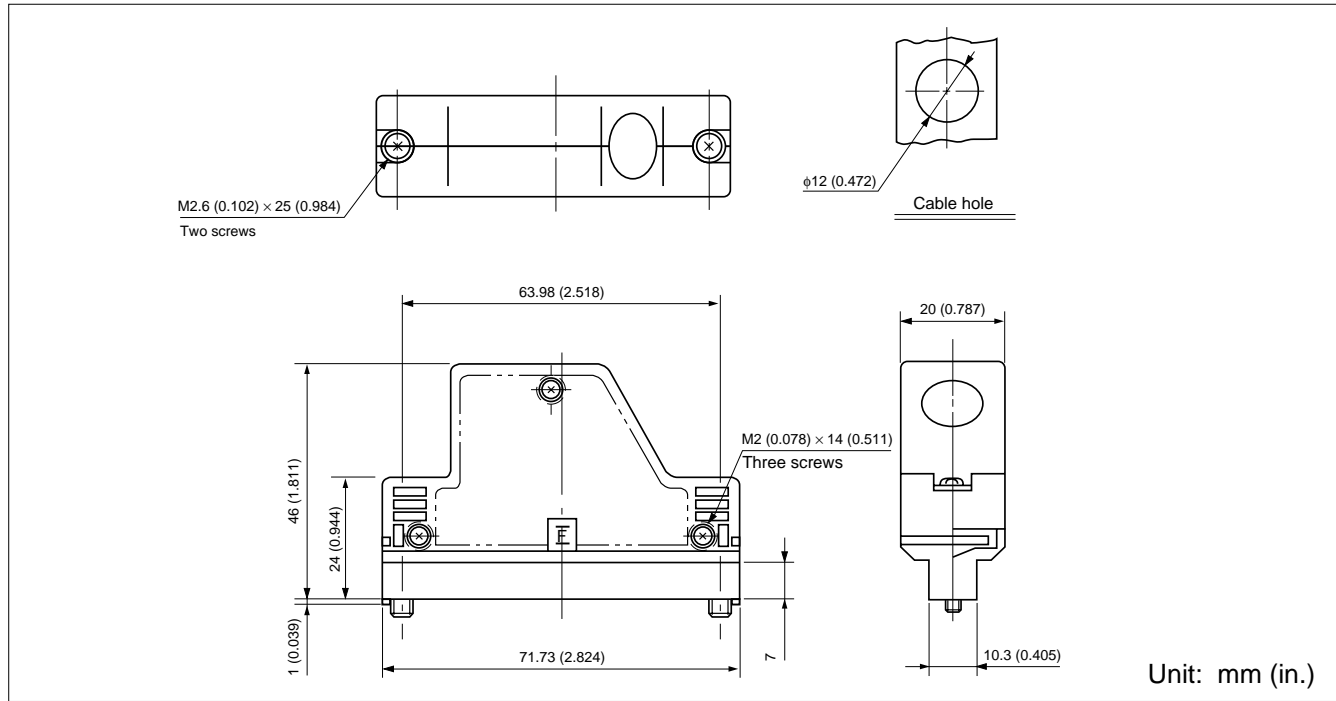
### ■ PART NUMBER

FCN-360C040-H/E

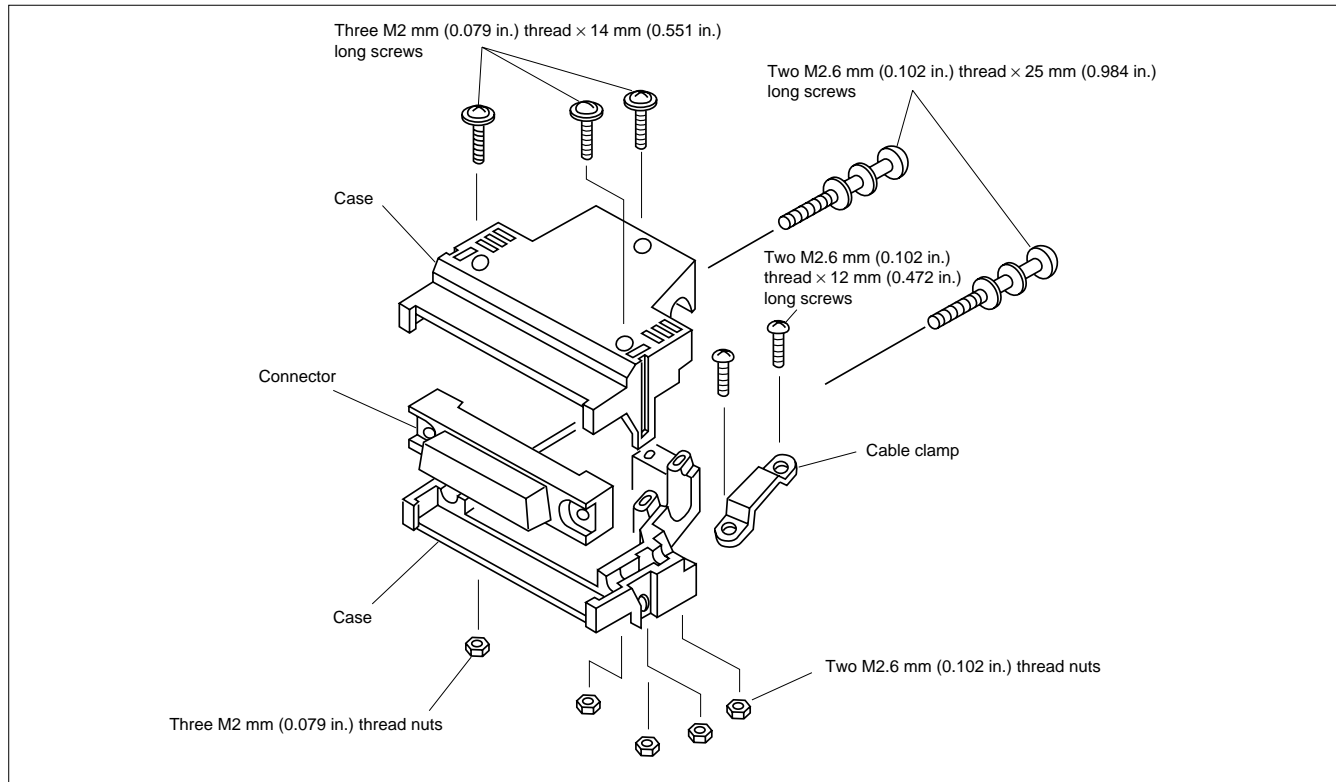
# FCN-360 Series

## COVER (OBTUSE ANGLE CABLE-OUT COVER (40 CONTACTS ONLY)) (TYPE J1)

### ■ DIMENSIONS



### ■ EXPLODED VIEW



### ■ PART NUMBER

FCN-360C040-J1

## **Fujitsu Components International Headquarter Offices**

### **Japan**

Fujitsu Component Limited  
Gotanda-Chuo Building  
3-5, Higashigotanda 2-chome, Shinagawa-ku  
Tokyo 141, Japan  
Tel: (81-3) 5449-7010  
Fax: (81-3) 5449-2626  
Email: [promothq@ft.ed.fujitsu.com](mailto:promothq@ft.ed.fujitsu.com)  
Web: [www.fcl.fujitsu.com](http://www.fcl.fujitsu.com)

### **North and South America**

Fujitsu Components America, Inc.  
250 E. Caribbean Drive  
Sunnyvale, CA 94089 U.S.A.  
Tel: (1-408) 745-4900  
Fax: (1-408) 745-4970  
Email: [marcom@fcai.fujitsu.com](mailto:marcom@fcai.fujitsu.com)  
Web: [www.fcai.fujitsu.com](http://www.fcai.fujitsu.com)

### **Europe**

Fujitsu Components Europe B.V.  
Diamantlaan 25  
2132 WV Hoofddorp  
Netherlands  
Tel: (31-23) 5560910  
Fax: (31-23) 5560950  
Email: [info.marketing@fceu.fujitsu.com](mailto:info.marketing@fceu.fujitsu.com)  
Web: [www.fceu.fujitsu.com](http://www.fceu.fujitsu.com)

### **Asia Pacific**

Fujitsu Components Asia Ltd.  
102E Pasir Panjang Road  
#04-01 Citilink Warehouse Complex  
Singapore 118529  
Tel: (65) 375-8560  
Fax: (65) 273-3021  
Email: [fcal@fcal.fujitsu.com](mailto:fcal@fcal.fujitsu.com)  
[www.fcal.fujitsu.com](http://www.fcal.fujitsu.com)

© 2001 Fujitsu Components America, Inc. All company and product names are trademarks or registered trademarks of their respective owners. Rev. 09/2001

# Mouser Electronics

Authorized Distributor

Click to View Pricing, Inventory, Delivery & Lifecycle Information:

[Fujitsu:](#)

[FCN-360C016-E](#)