

RoHS COMPATIBLE PRODUCT NUMBER

54122-XXXXXXXXXLF

LEADED PRODUCT NUMBER

54122-XXX-XX-XXXX

AS AVAILABLE

PLATING

- 1 = 0.76µm GOLD/GXT ON CONTACT AREA
2µm MIN MATTE TIN ON TAIL
OVER 1.27µm Ni MIN
- 4 = 2µm MIN MATTE TIN
OVER 1.27µm Ni MIN
- 5 = 0.25µm GOLD/GXT ON CONTACT AREA
2µm MIN MATTE TIN ON TAIL
OVER 1.27µm Ni MIN
- 8 = 0.38µm GOLD/GXT ON CONTACT AREA
2µm MIN MATTE TIN ON TAIL
OVER 1.27µm Ni MIN

RoHS COMPATIBLE
SEE NOTE 9

R : RETENTIVE LEG
NOTE 8

STACK HEIGHT, NOTE 6

TOTAL NB OF POSITIONS
04 TO 72

OAL	PIN STYLE
11.17	29
12.2	01
13.5	02
15.9	03
16.56	15
16.76	04
17.65	05
18.91	06
20.50	28
20.96	07
22.40	19
23.5	08
26.04	09
26.42	14
28.00	18
28.58	10
29.70	31
30.48	20
31.12	11
32.15	21
33.66	12
34.00	13
36.20	16
37.30	22
40.00	30
42.30	24
43.00	25
47.00	26
52.00	27

NOTES:

1. HOUSING MAT'L : HIGH TEMPERATURE THERMOPLASTIC. UL94V-0 COLOR: BLACK
2. PIN MATERIAL : PHOSPHOR BRONZE
3. STANDARD PACKAGING IN POLYBAG
4. 9N MIN RETENTION IN EITHER DIRECTION
5. TO DETERMINE DIMENSIONS :
N = NUMBER OF POSITIONS PER ROW
EXAMPLE : 8 POS PER ROW, N x 2.54 = 20.32mm
6. XXXX = MILLIMETERS
SPECIFY MILLIMETERS
5.0mm MIN TO 60.00mm MAX AVAILABLE
OAL 65.0MM MAX AVAILABLE.
EXAMPLE FOR STACK HEIGHT: $1 \underline{2} \underline{5} \underline{0} = 12.5\text{mm}$
7. MATING LENGTH = (OAL)-(3.05)-(STACK HEIGHT)
8. RETENTION IS APPLIED TO TWO ADJACENT PINS AT EACH END OF THE PRODUCT SEE SCHEMA 1
OMIT FROM PRODUCT NUMBER IF THIS FEATURE IS NOT APPLICABLE
9. RoHS COMPATIBLE PRODUCT SPECIFICATIONS

a - PLATING:

- "LF" MEANS THE PRODUCT IS LEAD-FREE,
2µm MINIMUM MATTE TIN OVER 1.27µm
MINIMUM NICKEL UNDERPLATE.

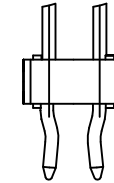
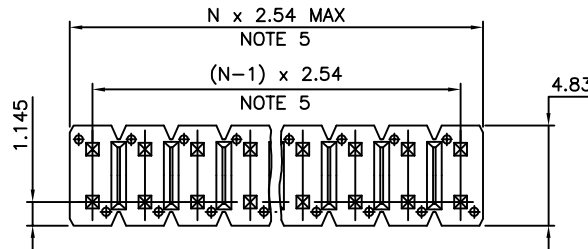
b - MANUFACTURING PROCESS COMPATIBILITY

- THE HOUSING WILL WITHSTAND EXPOSURE TO
260°C ±5°C SOLDER BATH TEMPERATURE FOR
5 SECONDS IN A WAVE SOLDER APPLICATION
WITH A 1.6mm MIN THICK CIRCUIT BOARD.

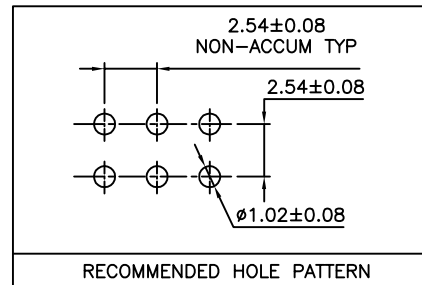
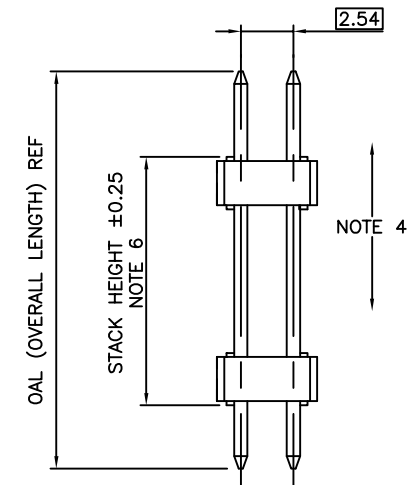
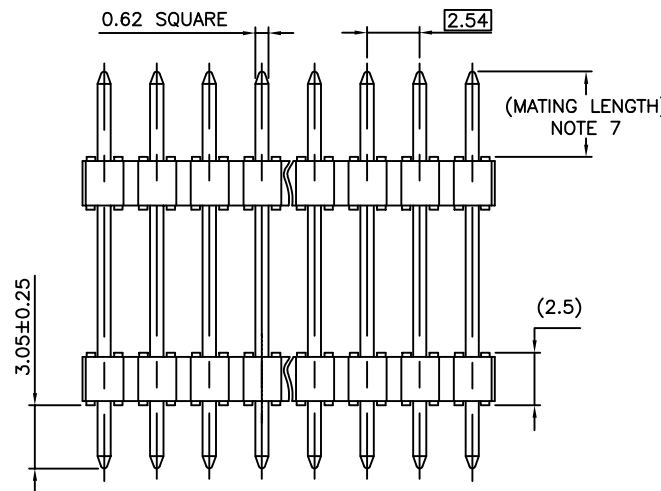
c - LABELLING:

- MEETS PACKAGING SPECS AS PER GS-14-920

- d - THIS PRODUCT MEETS EUROPEAN UNION DIRECTIVES
AND OTHER COUNTRY REGULATIONS AS DESCRIBED
IN GS-47-0004.



SCHEMA 1
TWO RETENTION PIN AT EACH
END OF THE PRODUCT



mat'l. code		surface		tolerance		projection		product family	
SEE NOTES		ISO 1302 ✓		ISO 406 ISO 1101		mm		BERGSTIK	
ltr	ecn no	dr	date	tolerances unless otherwise specified		mm		title	
R	F-22228	AMA	15.10.20	angles	linear	x.x ±0.3		UNSHR.HEADER	
S	F-26104	LMU	17.02.16			x.xx ±0.13		STR DR TMT	
						xxx ±0.05		scale 4:1	
L	B-15673	LMU	13.02.14	dr	D.LE	01.01.24		dwg no	
M	B-18962	LMU	14.09.29	engr	JM.C	01.01.24		sheet 1 of 1 size	
N	B-19782	AMA	14.12.16	chr	JM.C	01.01.24		54122 A3	
P	B-20598	AMA	15.03.30	appd	JF.N	01.01.24		type CUSTOMER Drawing	
sheet	revision								
index	sheet								

Mouser Electronics

Authorized Distributor

Click to View Pricing, Inventory, Delivery & Lifecycle Information:

[FCI / Amphenol:](#)

[54122-103120800LF](#) [54122-103140900LF](#) [54122-103160800LF](#) [54122-104200800LF](#) [54122-104260800LF](#) [54122-105240950LF](#) [54122-105720950LF](#) [54122-106040800LF](#) [54122-106041100LF](#) [54122-106061000LF](#) [54122-106080800LF](#) [54122-106081000LF](#) [54122-106101000RLF](#) [54122-106120800RLF](#) [54122-106140800LF](#) [54122-106140850LF](#) [54122-106200800LF](#) [54122-106200950LF](#) [54122-106201100LF](#) [54122-106381000LF](#) [54122-106401000LF](#) [54122-106401050LF](#) [54122-106720850LF](#) [54122-106721000LF](#) [54122-107041200LF](#) [54122-107081200LF](#) [54122-107120950LF](#) [54122-107120950RLF](#) [54122-107140800LF](#) [54122-107721150LF](#) [54122-107721200LF](#) [54122-108080900LF](#) [54122-108081000LF](#) [54122-108200800LF](#) [54122-108201050LF](#) [54122-108201250LF](#) [54122-108201400LF](#) [54122-108301400RLF](#) [54122-108720950LF](#) [54122-108721450LF](#) [54122-109061200LF](#) [54122-109101500LF](#) [54122-109101600LF](#) [54122-109141650LF](#) [54122-109141800LF](#) [54122-109160800LF](#) [54122-109201250LF](#) [54122-109201650LF](#) [54122-109201650TLF](#) [54122-109221500LF](#) [54122-109321350LF](#) [54122-109341500LF](#) [54122-109401650LF](#) [54122-109721500LF](#) [54122-109721650LF](#) [54122-109721750LF](#) [54122-110042150LF](#) [54122-110081550LF](#) [54122-110101500LF](#) [54122-110121900LF](#) [54122-110122150LF](#) [54122-110141550LF](#) [54122-110161800LF](#) [54122-110201950LF](#) [54122-110202150LF](#) [54122-110221500LF](#) [54122-110221700LF](#) [54122-110241700LF](#) [54122-110242000LF](#) [54122-110321300LF](#) [54122-110322000LF](#) [54122-110341500LF](#) [54122-110361900LF](#) [54122-110501450LF](#) [54122-110701800LF](#) [54122-11062000LF](#) [54122-111161650LF](#) [54122-111221700LF](#) [54122-111402000LF](#) [54122-111722000LF](#) [54122-112042000LF](#) [54122-112082000LF](#) [54122-112101850LF](#) [54122-112261950LF](#) [54122-112261950RLF](#) [54122-112282200LF](#) [54122-112401850LF](#) [54122-112722500LF](#) [54122-113182400LF](#) [54122-113202350LF](#) [54122-113202350RLF](#) [54122-113402350LF](#) [54122-113402350RLF](#) [54122-114081450LF](#) [54122-114101800LF](#) [54122-114181450LF](#) [54122-114201800LF](#) [54122-114501450LF](#) [54122-116082000LF](#) [54122-116122000RLF](#)