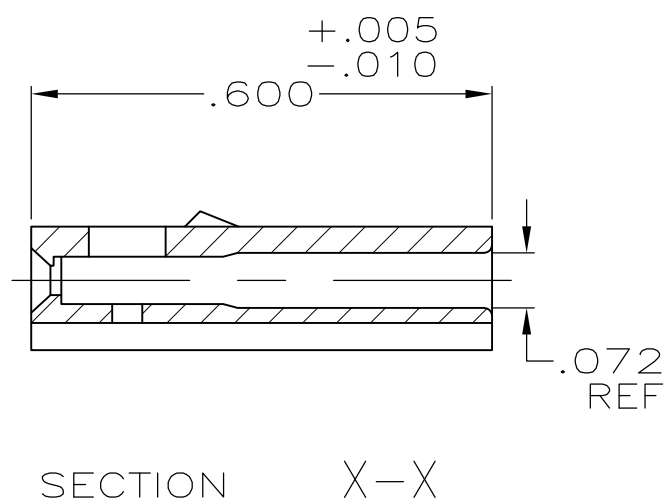
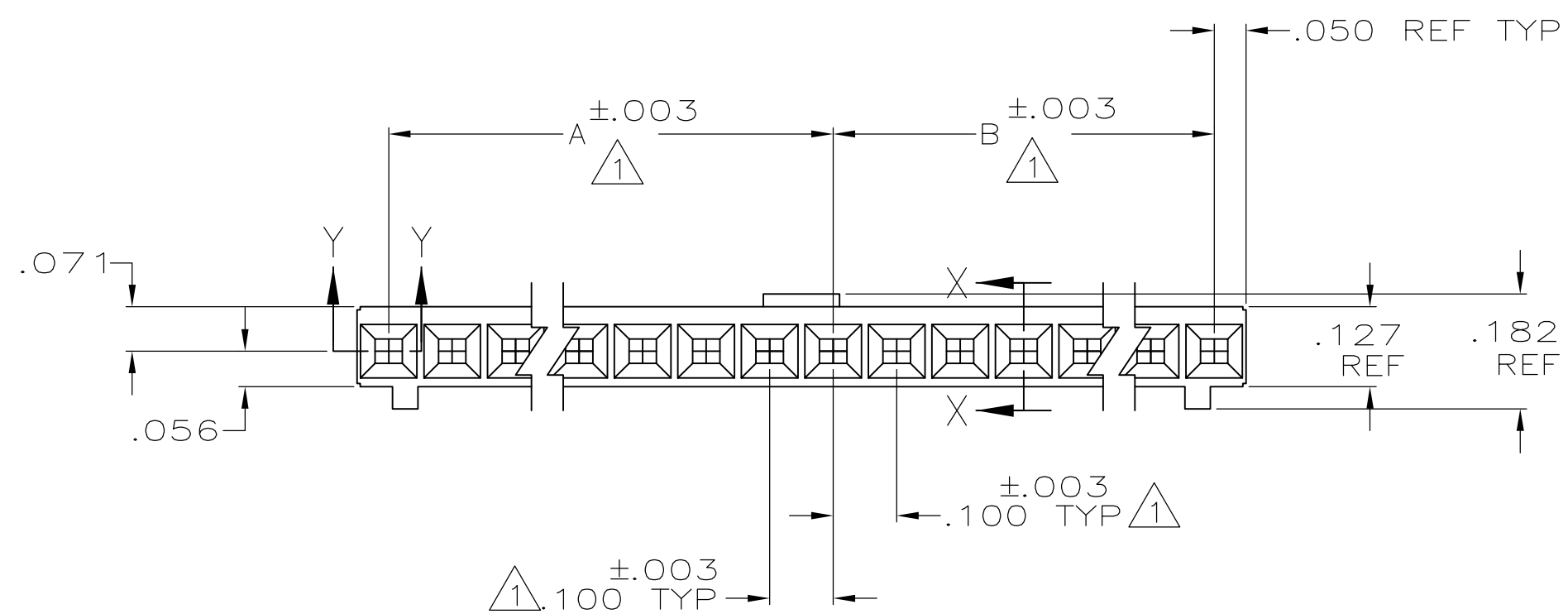
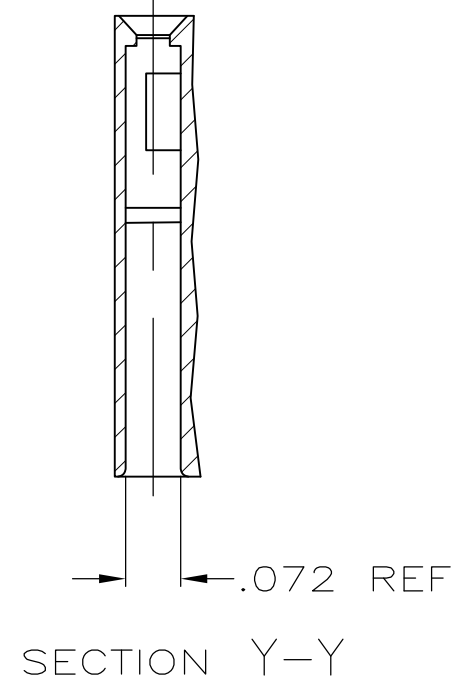
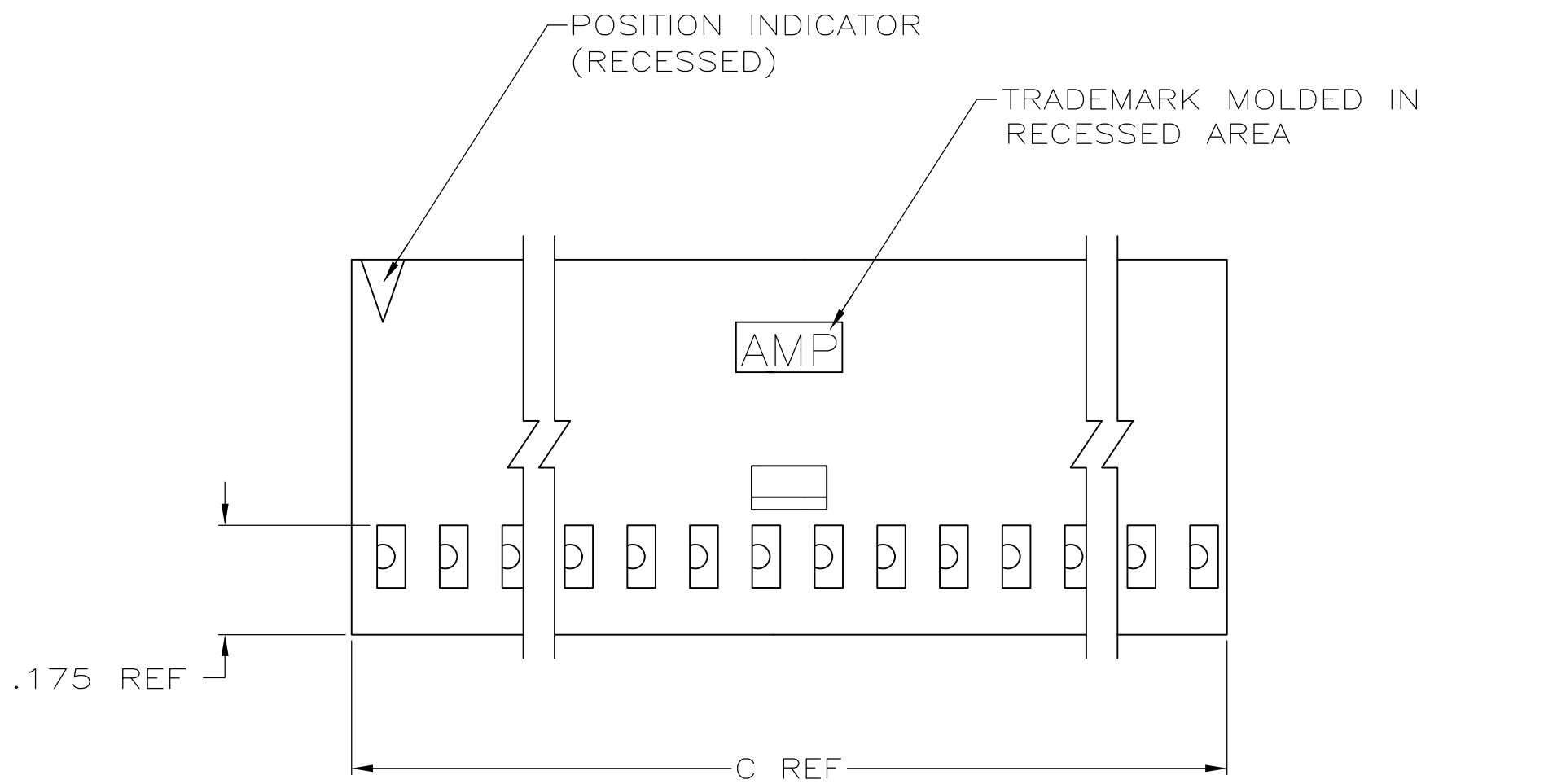


THIS DRAWING IS UNPUBLISHED. RELEASED FOR PUBLICATION  
 © COPYRIGHT - By - ALL RIGHTS RESERVED.

| LOC | DIST | REVISIONS |     |                           |         |     |      |
|-----|------|-----------|-----|---------------------------|---------|-----|------|
| AD  | 39   | P         | LTR | DESCRIPTION               | DATE    | DWN | APVD |
|     |      | N3        |     | REVISED PER ECO-11-004587 | 11MAR11 | RK  | HMR  |



|              |              |       |       |           |             |            |
|--------------|--------------|-------|-------|-----------|-------------|------------|
| <br>OBSOLETE | 3.600        | 1.700 | 1.800 | 36        | 3-102241-4  |            |
|              | 3.500        | 1.700 | 1.700 | 35        | 3-102241-3  |            |
|              | 3.400        | 1.600 | 1.700 | 34        | 3-102241-2  |            |
|              | 3.300        | 1.600 | 1.600 | 33        | 3-102241-1  |            |
|              | 3.200        | 1.500 | 1.600 | 32        | 3-102241-0  |            |
|              | 3.100        | 1.500 | 1.500 | 31        | 2-102241-9  |            |
|              | 3.000        | 1.400 | 1.500 | 30        | 2-102241-8  |            |
|              | 2.900        | 1.400 | 1.400 | 29        | 2-102241-7  |            |
|              | 2.800        | 1.300 | 1.400 | 28        | 2-102241-6  |            |
|              | 2.700        | 1.300 | 1.300 | 27        | 2-102241-5  |            |
|              | 2.600        | 1.200 | 1.300 | 26        | 2-102241-4  |            |
|              | 2.500        | 1.200 | 1.200 | 25        | 2-102241-3  |            |
|              | 2.400        | 1.100 | 1.200 | 24        | 2-102241-2  |            |
|              | 2.300        | 1.100 | 1.100 | 23        | 2-102241-1  |            |
|              | 2.200        | 1.000 | 1.100 | 22        | 2-102241-0  |            |
|              | <br>OBSOLETE | 2.100 | 1.000 | 1.000     | 21          | 1-102241-9 |
|              |              | 2.000 | .900  | 1.000     | 20          | 1-102241-8 |
|              |              | 1.900 | .900  | .900      | 19          | 1-102241-7 |
|              |              | 1.800 | .800  | .900      | 18          | 1-102241-6 |
|              |              | 1.700 | .800  | .800      | 17          | 1-102241-5 |
|              |              | 1.600 | .700  | .800      | 16          | 1-102241-4 |
|              |              | 1.500 | .700  | .700      | 15          | 1-102241-3 |
|              |              | 1.400 | .600  | .700      | 14          | 1-102241-2 |
|              | 1.300        | .600  | .600  | 13        | 1-102241-1  |            |
|              | 1.200        | .500  | .600  | 12        | 1-102241-0  |            |
|              | 1.100        | .500  | .500  | 11        | 102241-9    |            |
|              | 1.000        | .400  | .500  | 10        | 102241-8    |            |
|              | .900         | .400  | .400  | 9         | 102241-7    |            |
|              | .800         | .300  | .400  | 8         | 102241-6    |            |
|              | .700         | .300  | .300  | 7         | 102241-5    |            |
|              | .600         | .200  | .300  | 6         | 102241-4    |            |
|              | .500         | .200  | .200  | 5         | 102241-3    |            |
|              | .400         | .100  | .200  | 4         | 102241-2    |            |
|              | .300         | .100  | .100  | 3         | 102241-1    |            |
|              | C            | B     | A     | NO OF POS | PART NUMBER |            |

- 1 CAVITY LOCATION DIMENSIONS INCREASE IN INCREMENTS OF .100 TOLERANCE NON-CUMULATIVE
- 2 USE EXTRACTION TOOL 91052-1 TO REMOVE RECEPTACLE CONTACTS
- 3 OBSOLETE PARTS: OBSOLETE CIS STREAMLINING PER D.RENAUD/D.SINISI

THIS DRAWING IS A CONTROLLED DOCUMENT.

DWN D FABIAN 8-2-78  
 CHK B WOLFE 10-27-78

TE Connectivity

CONN HOUSING, CRIMP SNAP-IN  
 MOD IV, SINGLE ROW, .100  
 CENTERS, WITH POLARIZATION AND DETENTS

SIZE A2 CAGE CODE 00779 DRAWING NO C=102241 RESTRICTED TO -

MATERIAL GLASS FILLED NYLON FLAME RETARDANT COLOR: BLACK PER ASTM D4066

FINISH -

WEIGHT -

CUSTOMER DRAWING

SCALE - SHEET 1 OF 1 REV N3

# Mouser Electronics

Authorized Distributor

Click to View Pricing, Inventory, Delivery & Lifecycle Information:

[TE Connectivity:](#)

[1-102241-0](#)