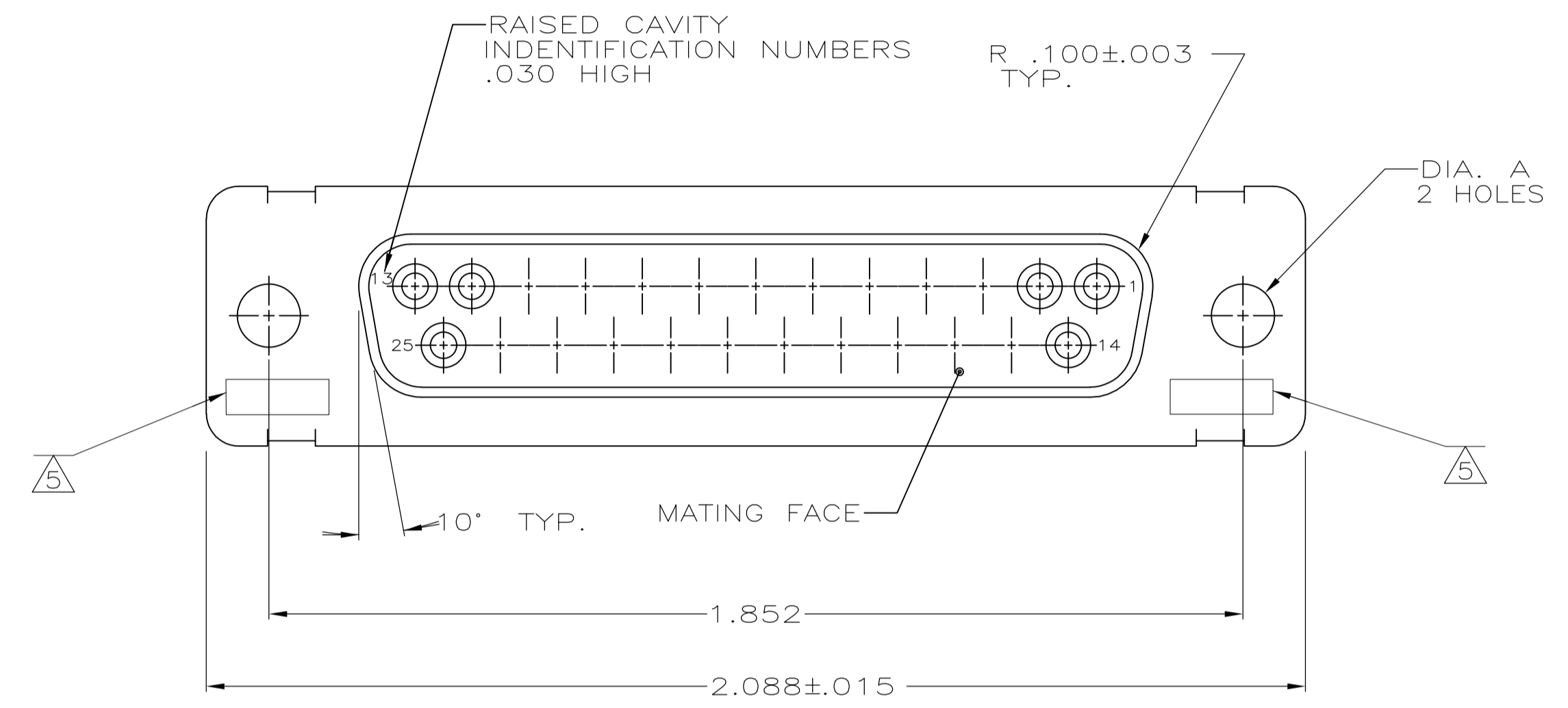
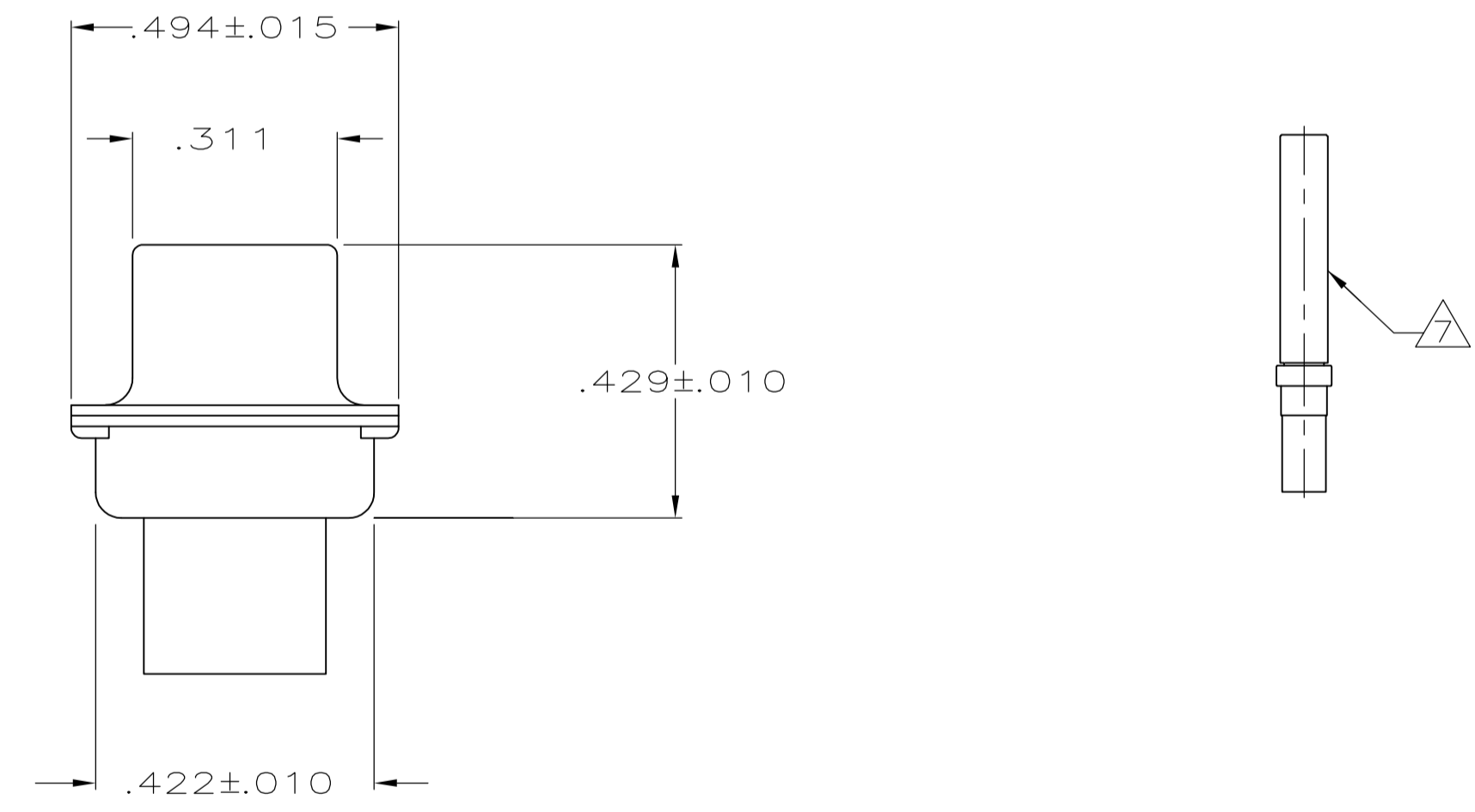
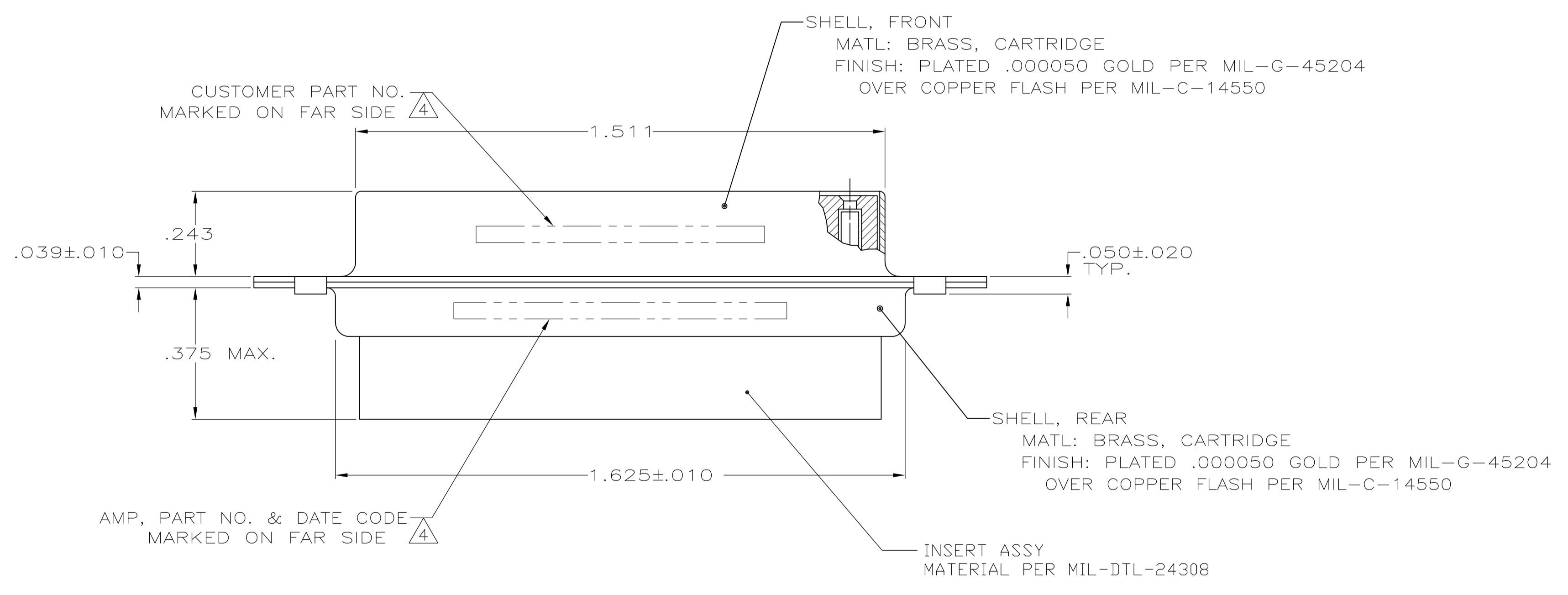


LOC		DIST		REVISIONS			
P	LTR	DESCRIPTION	DATE	DNW	APVD		
R		REV PER ECO 15-016064	11-9-15	CT	CD		



1. THIS RECEPTACLE WILL MATE WITH ANY PLUG CONNECTOR WITH THE SAME INSERT ARRANGEMENT AS DEFINED BY MS18275-1.
 2. MAXIMUM WIRE INSULATION USED WITH THIS RCPT. IS .072 DIA. MAX.
 3. Be-Cu RETENTION CLIPS ARE INCLUDED IN INSERTS.
- ⚠️ 4. FAR SIDE REFERS TO WIDE SIDE OF KEYSTONE.
 - ⚠️ 5. UL/CSA DESIGNATION STAMPED IN THIS AREA, OPTIONAL
 - ⚠️ 6. THESE CONNECTORS ARE QUALIFIED TO GODDARD SPACE FLIGHT CENTER SPECIFICATION S-311-P-4.
 - ⚠️ 7. CONNECTOR SUPPLIED WITH CONTACTS, AMP PART NUMBER 206793-1; (NOT INSTALLED).



OBSOLETE	⚠️	.120	LMSC 1621480-003	206801-8
		.120	LMSC 1621480-003	206801-7
		.120	2A014-008V-001	206801-4
		.154		206801-3
	⚠️	.120	311P409-3S-B-12	206801-2
	⚠️	.154	311P409-3S-B-15	206801-1
REMARKS	DIA A	MARK CUSTOMER P/N		AMP P/N

THIS DRAWING IS A CONTROLLED DOCUMENT.

DIMENSIONS: INCHES
 TOLERANCES UNLESS OTHERWISE SPECIFIED:
 0. PLC ± -
 1. PLC ± -
 2. PLC ± -
 3. PLC ± .005
 4. PLC ANGLES ± -

MATERIAL: SEE CALLOUTS
 FINISH: SEE CALLOUTS
 WEIGHT: -
 CUSTOMER DRAWING

DIN M. CLOUSER 1-3-89
 CHK T. CANTLIN 1-24-89
 APVD -
 NAME: RECEPTACLE FOR SOCKET CONTACTS, SIZE #3, 25 POS. (NON-MAGNETIC)
 SIZE: A1
 CAGE CODE: 00779
 DRAWING NO: 206801
 SCALE: 4:1
 SHEET: 1 OF 1
 REV: R

STE TE Connectivity
 RECEIPT FOR SOCKET CONTACTS, SIZE #3, 25 POS. (NON-MAGNETIC)
 CUSTOMER DRAWING

Mouser Electronics

Authorized Distributor

Click to View Pricing, Inventory, Delivery & Lifecycle Information:

[TE Connectivity:](#)

[206801-2](#)