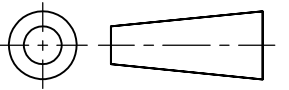


DO NOT SCALE
DIMENSIONS IN mm

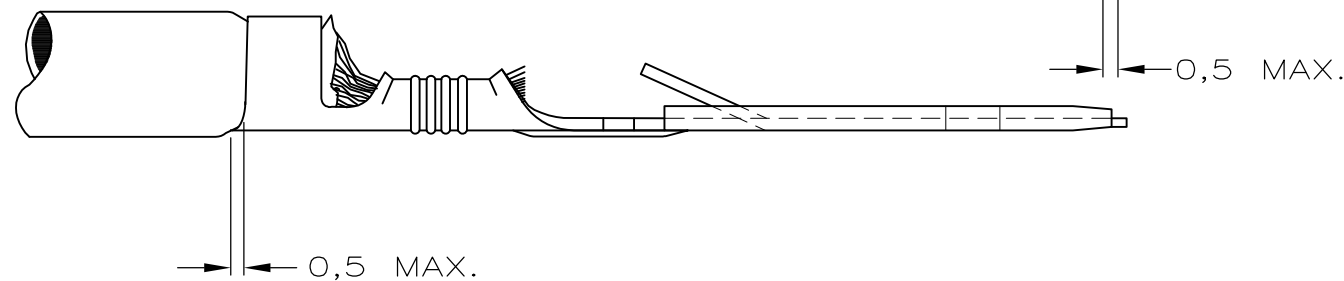
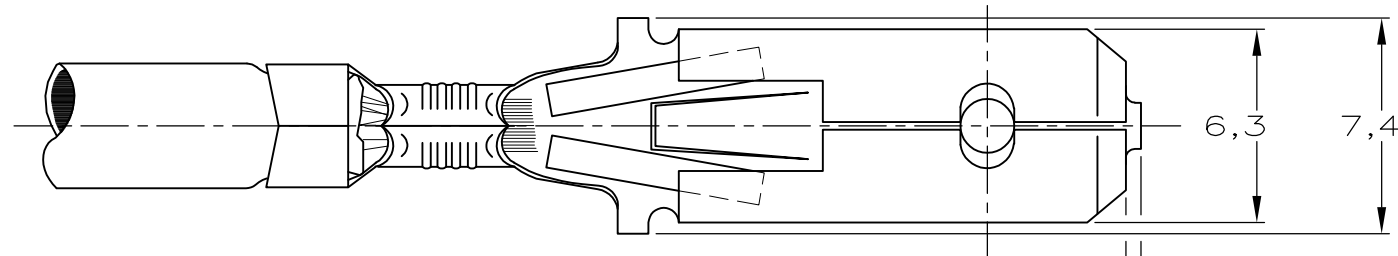
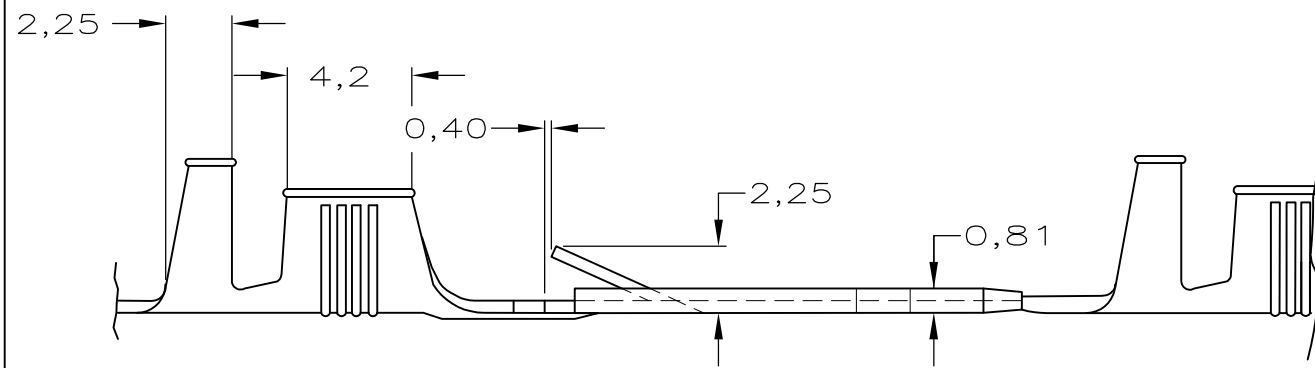
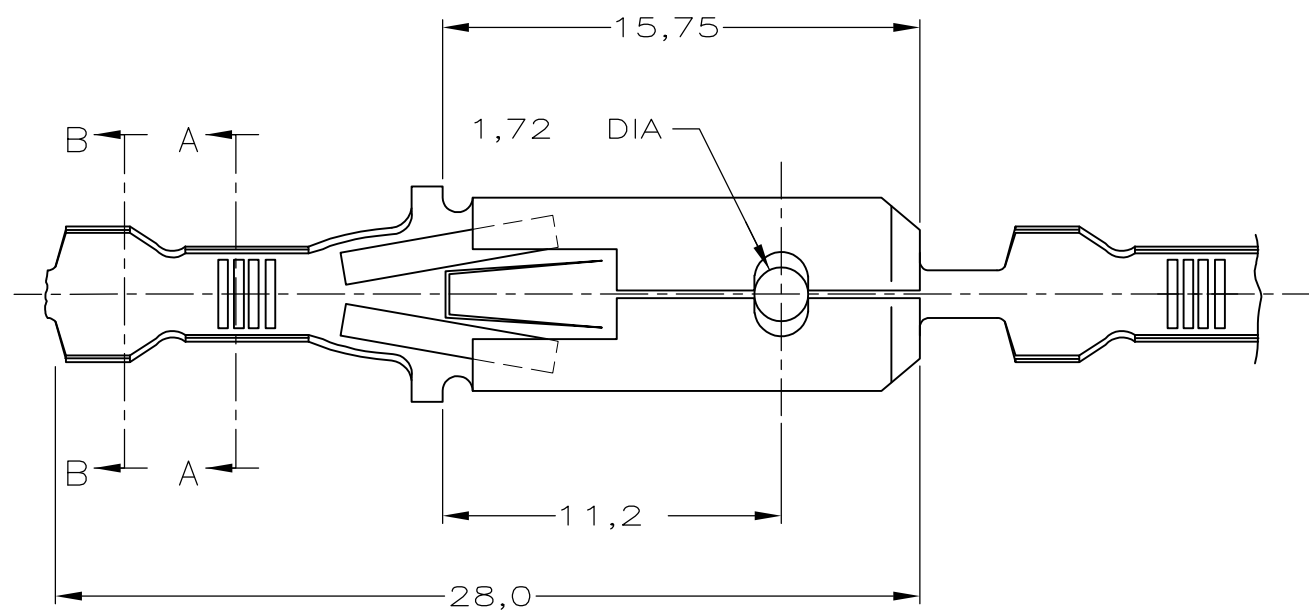
METRIC

THIRD ANGLE
PROJECTION



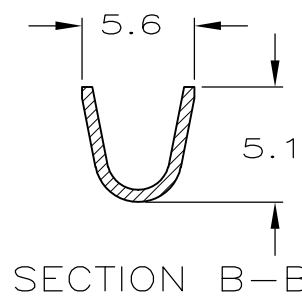
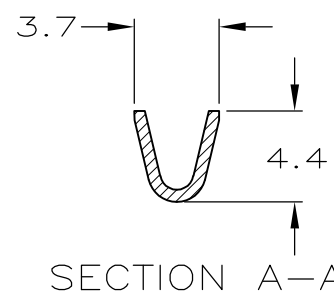
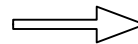
NOTES:

- △1 FOR USE ON MINIATURE APPLICATORS (LEFT-RIGHT FEED)
- △2 OBSOLETE PARTS: OBSOLETE CIS STREAMLINING PER D.RENAUD/D.SINISI



WIRE RANGE :
2,1-3,3 mm²
INSULATION RANGE :
3,0-4,3mm DIA.

DIRECTION OFF TOP OF REEL



PLATING	PLATING	MATERIAL	PARTNUMBER
-	-	-	-
-	-	-	-
△1	TINPLATED	BRASS	160786-5
△1	-	BRASS	160786-4
△1	SILVERPLATED	Ph BRONZE	160786-3
△1	TINPLATED	Ph BRONZE	160786-2
△1	-	Ph BRONZE	160786-1
CUSTOMER DRAWING FOR REFERENCE ONLY WILL NOT BE UPDATED © COPYRIGHT 19 - BY AMP HOLLAND B.V. ALL INTERNATIONAL RIGHTS RESERVED. AMP PRODUCTS MAY BE COVERED BY U.S. AND FOREIGN AND/OR PATENTS PENDING. THIS DRAWING IS UNPUBLISHED RELEASED FOR PUBLICATION _____, 19____			
C2	ECR-17-012072	DL TD	29-08-17
C1	ECO-09-024717	KK AEG	05-11-09
C	H-9671	JvL AB	16-10-95
LTR.	REVISION RECORD	DR. CHK.	DATE
DR.: J.v.LIEMPT.	CHK.: A.BIJNEN.	APP.: M.v.DRIEL	DWG.No. 160786
DATE: 16 OCT 1995	DATE: -	DATE: -	REV.LTR. C2
			SHEET 1 OF 1
A3			