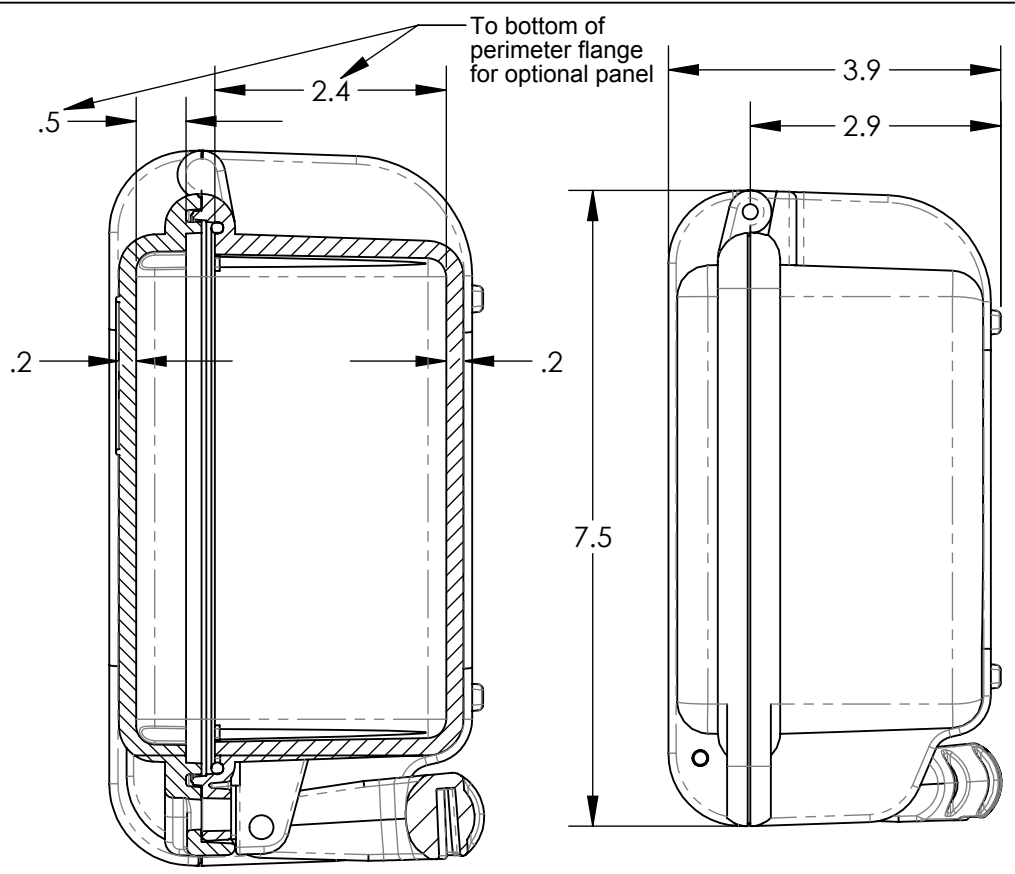
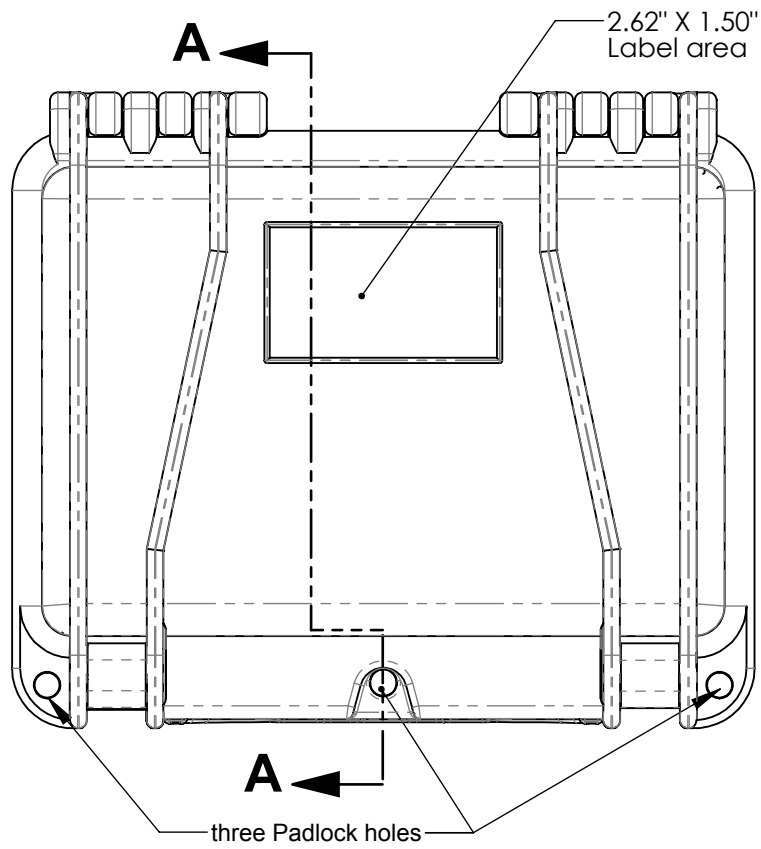
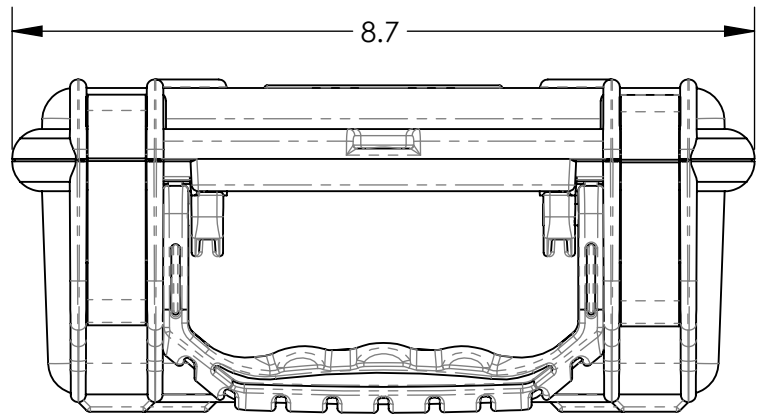


SERPAC 120

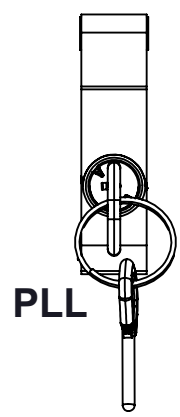
Electronic Enclosures



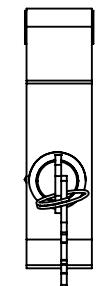
SECTION A-A



Latch with Plastic Lock



Latch with Metal Lock



Optional Latches Must Be Specified at Time of Order. See Note 2

NOTES:

- 1) Max. usable inside dimensions are: 7.50" X 5.00" X 3.23"
- 2) With Metal Lock Latches p/n SE120ML and Plastic Lock Latches p/n SE120PL are optional.

Mouser Electronics

Authorized Distributor

Click to View Pricing, Inventory, Delivery & Lifecycle Information:

[SERPAC:](#)

[SE120F,YL](#) [SE120F,BK](#) [SE120F,OR](#)