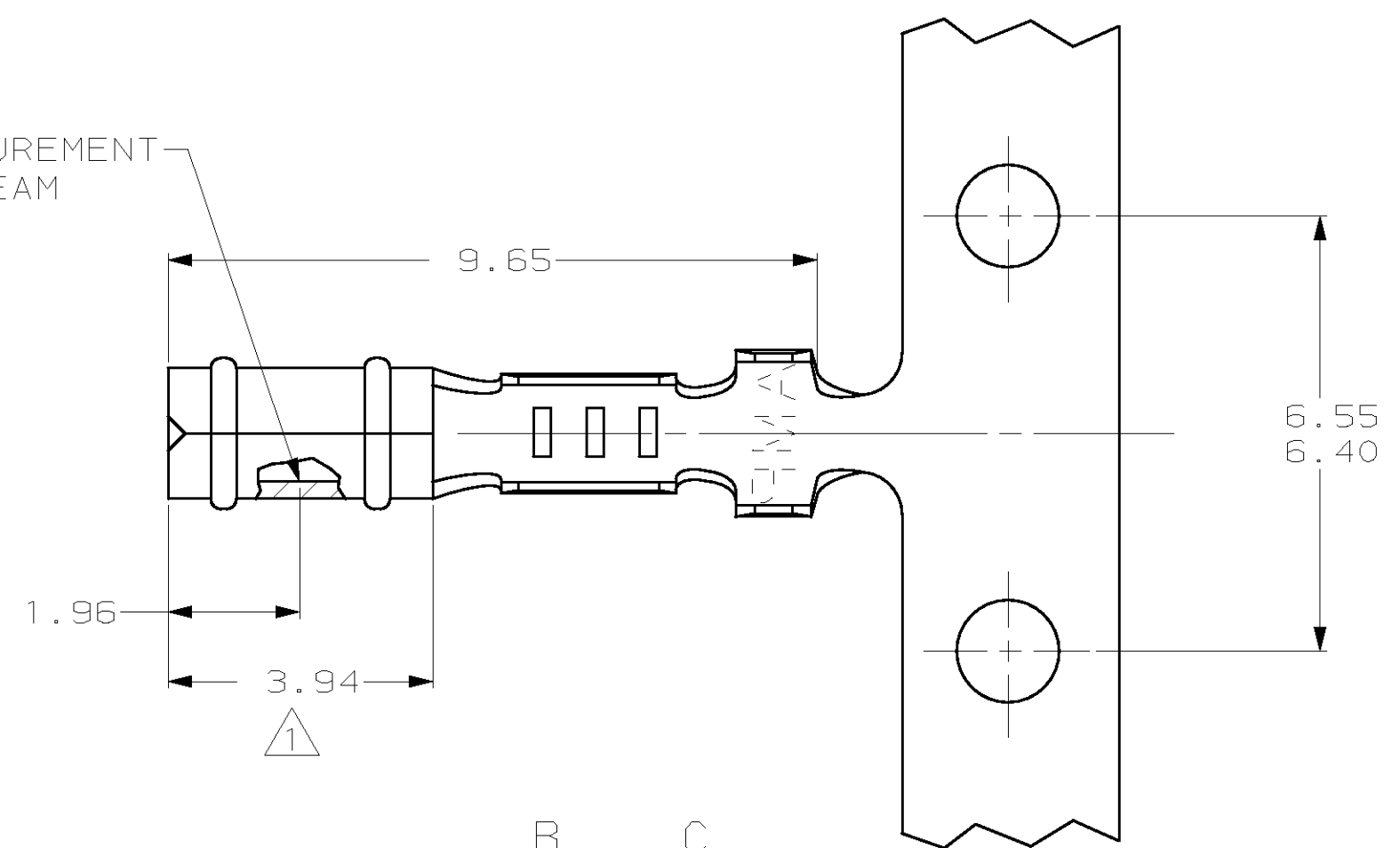


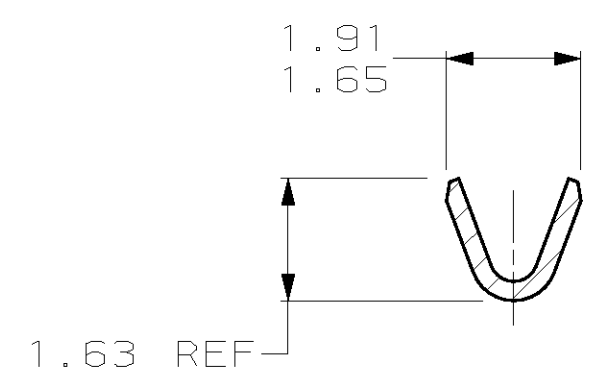
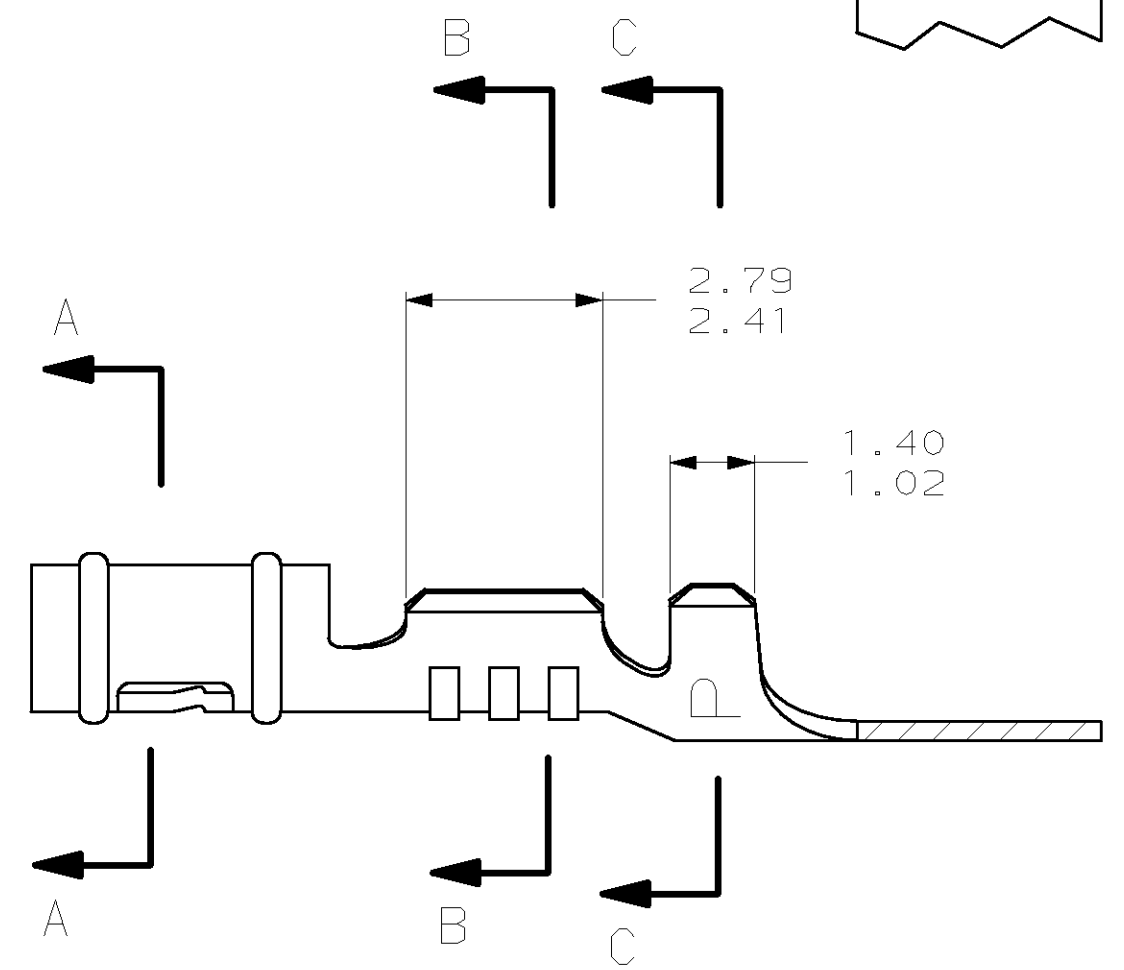
LOC	DIST	REVISIONS			
P	LTR	DESCRIPTION	DATE	DWN	APVD
CM	52	V	REV & REDWN PER EC 0L30-0146-97	5-15-97	TB RS

- 1. 0.00076 MIN SELECTIVE GOLD PLATING ON INSIDE OF RECEPTACLE OVER NICKEL OVER ALL UNDERPLATE.
- 2. WIRE RANGE: 0.12 - 0.4 MM<sup>2</sup> (26 - 22 AWG)
- 3. INSULATION RANGE: 0.89 - 1.65

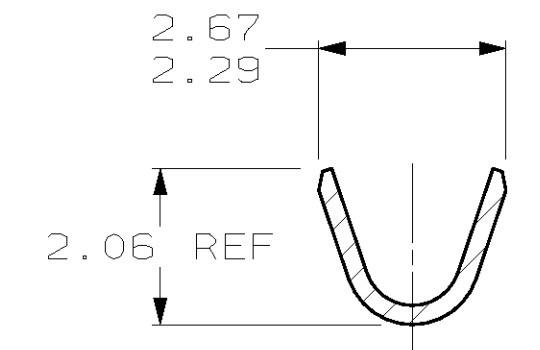
POINT OF MEASUREMENT  
 1 90° FROM SEAM



SECTION A-A



SECTION B-B



SECTION C-C

1	0.25 BE COPPER	60888-4
2	MATTE TIN	0.25 BE COPPER
3	0.25 PH BRZ	60888-2
4	PRE-TIN	0.25 PH BRZ
5	FINISH	MATERIAL
		PART NUMBER

1.359	.0535	1.91	.075	2.79	.110	-	-
1.02	.040	1.65	.065	2.67	.105	-	-
0.89	.035	1.63	.064	2.41	.095	9.65	.380
0.25	.010	1.486	.0585	2.29	.090	6.55	.258
0.13	.005	1.47	.058	2.06	.081	6.40	.252
0.00076	.000030	1.40	.055	1.96	.077	3.94	.155
MM	IN	MM	IN	MM	IN	MM	IN

CONVERSION TABLE



THIS DRAWING IS A CONTROLLED DOCUMENT.

DIMENSIONS:	TOLERANCES UNLESS OTHERWISE SPECIFIED:	DWN	5-15-97
mm		T. BECK	
		CHK	5-15-97
		R. SWING	
		APVD	8-08-97
		A. BEDDICK	
		PRODUCT SPEC	
		APPLICATION SPEC	
MATERIAL	SEE TABLE	FINISH	SEE TABLE
		WEIGHT	-
CUSTOMER DRAWING		SCALE	10:1
		SHEET	1 OF 1
		REV	V

AMP Incorporated  
 Harrisburg, PA 17105-3608

RECEPTACLE, .058 DIAMETER,  
 26-22 AWG, .035-.065  
 INSULATION, P.C. CONTACT

SIZE: A2 CAGE CODE: 00779 DRAWING NO: 60888 RESTRICTED TO: -

# Mouser Electronics

Authorized Distributor

Click to View Pricing, Inventory, Delivery & Lifecycle Information:

[TE Connectivity:](#)

[60888-3](#)