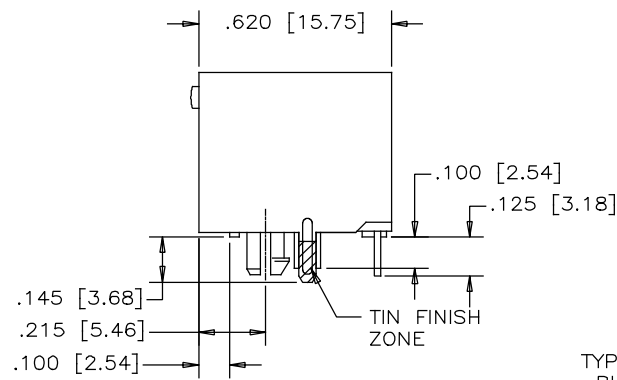
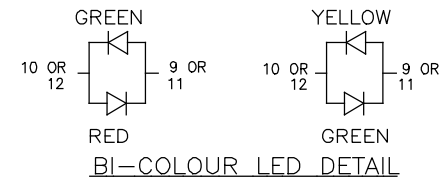


FRONT VIEW

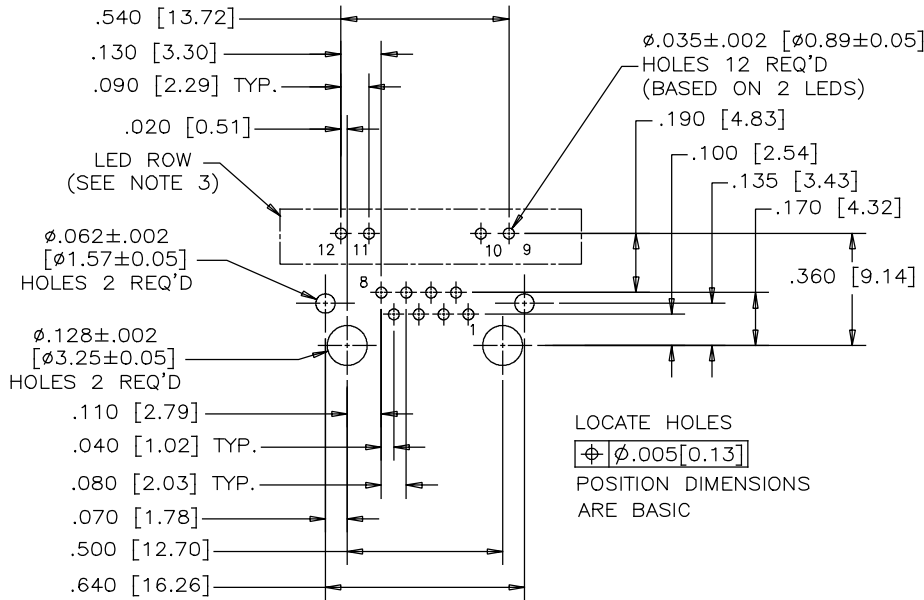


SIDE VIEW

REVISIONS			
REV	DESCRIPTION, ECN, EAR NO.	DATE	APP'D
A	PROPOSAL	JAN.22/13	L.CHAN
B	PROPOSAL	APR15/13	L.CHAN
C	CHANGE SHIELD TAIL PLATING	APR17/17	L.CHAN
D	CHANGE TO TIN FINISH	JUN03/17	L.CHAN



BI-COLOUR LED DETAIL
(RED/YELLOW AND GREEN/ORANGE LED'S ARE ALSO AVAILABLE)



RECOMMENDED P.C.B. LAYOUT
(COMPONENT SIDE OF BOARD)

LED ROW
(SEE NOTE 3)

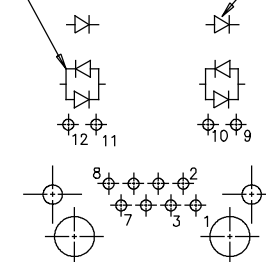
LOCATE HOLES

$\phi \pm .005 [0.13]$

POSITION DIMENSIONS
ARE BASIC

TYPICAL FOR
BI-COLOUR
LED

TYPICAL FOR
SINGLE COLOR
LED (RED, GREEN,
OR YELLOW)



LED SCHEMATIC

NOTES:

1. MATERIALS:

PLASTIC HOUSING: HIGH TEMPERATURE THERMOPLASTIC
FLAMMABILITY RATING UL 94V-0, COLOR: BLACK

CONTACTS:

PHOSPHOR BRONZE
PLATING: 15 μ" [0.38 MICRONS]
MIN. GOLD ON MATING SURFACES.
50 μ" [1.27 MICRONS]
MIN. NICKEL UNDERPLATE
100 μ" [2.54 MICRONS]
MIN. MATTE TIN ON CONTACT TAILS.

SHIELD:

STAINLESS STEEL WITH TIN FINISH ON PCB TAIL

2. RECOMMENDED SOLDERING TEMPERATURE:

WAVE SOLDERING AT 260°C MAXIMUM FOR 5 SEC MAXIMUM.

3. PART NUMBER: RJHSE-GF8X

REFER TO LED OPTIONS DRAWING
FOR ORDERING CODES

R.010 [R0.25]
MAX.

.665 [16.89]
MIN.

.530 [13.46]
MIN.

RECOMMENDED PANEL CUTOUT



UNLESS SPECIFIED OTHERWISE	DRAWN	AMY.Z	DATE	JAN22/13	Amphenol Canada Corp. www.amphenolcanada.com
PRIMARY UNITS INCH	CHECKED	M.E. APP'D	L.CHAN	JAN22/13	
SECONDARY MILLIMETER	REFERENCE IN PARENTHESES	Q.A. APP'D	DWG APPR.		TITLE
GENERAL TOLERANCES	1 DECIMAL PLACE ±0.025	ENG. REL. NO.			HIGH SPEED, RJ45, MODULAR JACK, 8 POSITION, 8 CONTACTS, WITH LEDs SHIELDED WITHOUT TABS-RoHS COMPLIANT
2 DECIMAL PLACES ±0.020	3 DECIMAL PLACES ±0.015	REF.			DWG. NO.
ANGULAR DEGREES ±1.0°	THIRD ANGLE PROJECTION	DO NOT SCALE DRAWING			P-RJHSE-GF8X
					REV D
					CODE ID NO. 03554 DWG SIZE: C SCALE: N/A SHEET 1 OF 1