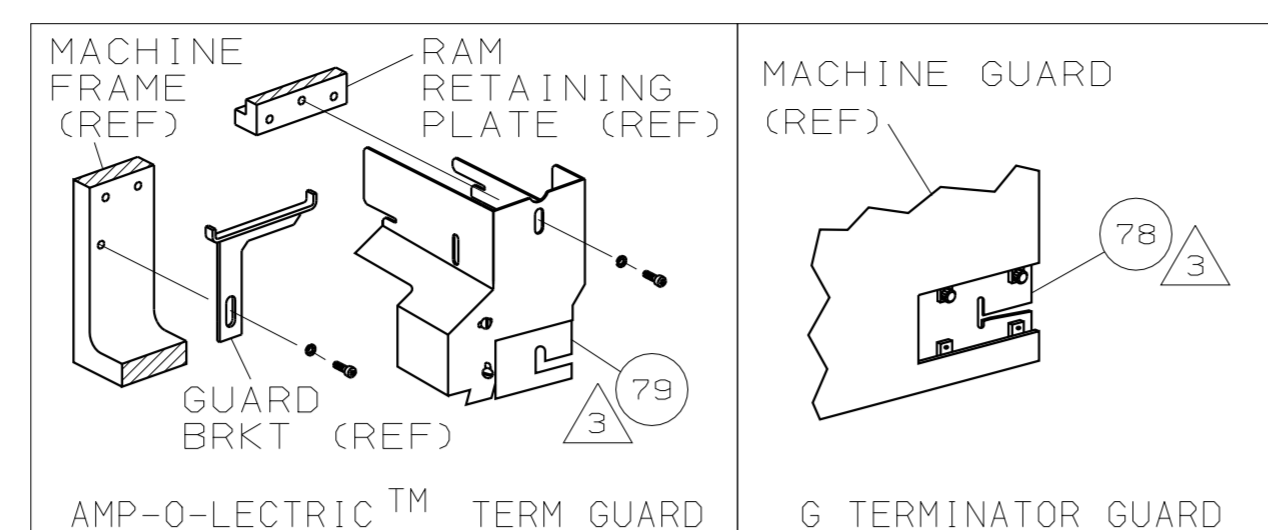
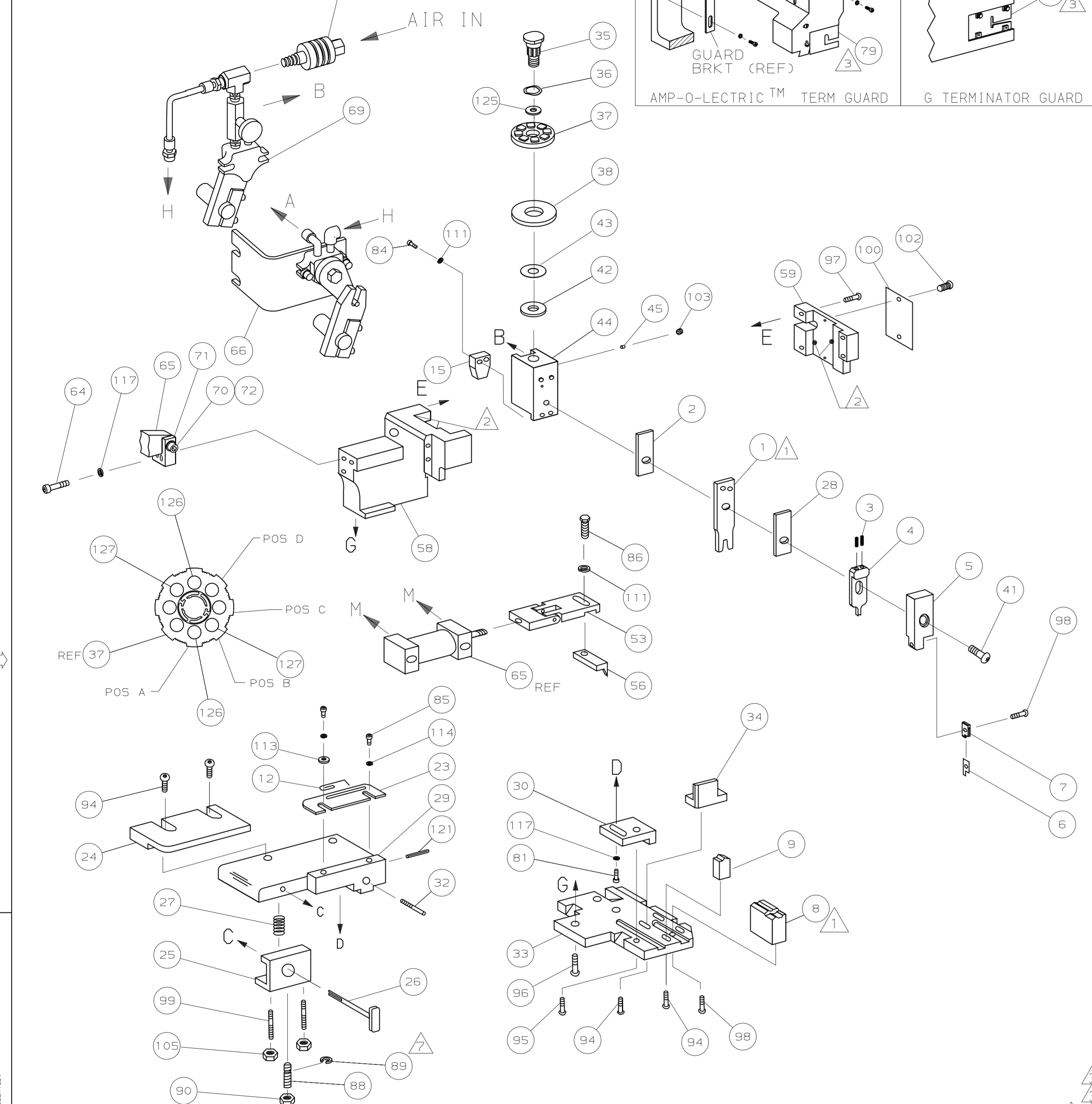


PART NUMBER	REV	FIRST USED
1852150-1	A	122500-1
1852150-2	A	565435-5
1852150-3	A	354500-1



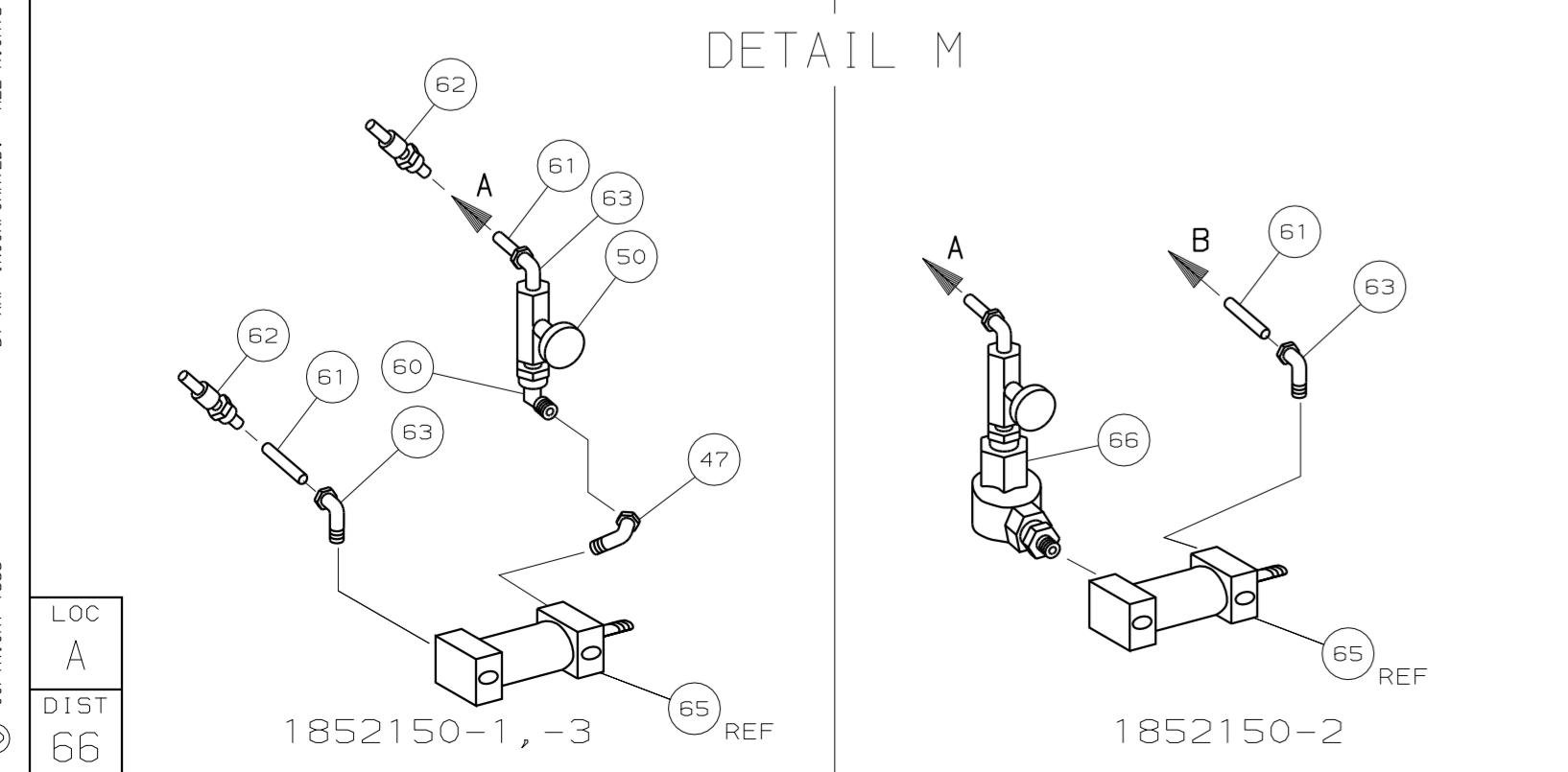
TERMINAL NAME: TUBULAR END-SLEEVE W/PLASTIC SLEEVE			
CRIMPING DATA			
PAD LTR	CRIMP HEIGHT	WIRE SIZE	
A	.038 ±.002 [0.97 ±0.05mm]	1.0mm <sup>2</sup>	
B	.035 ±.002 [0.89 ±0.05mm]	18	
C	NOT	USED	
D	NOT	USED	
CRIMP	SIZE	TYPE	RANGE
WIRE	.070 [1.78mm]	F	18 OR 1.0mm <sup>2</sup>
INSUL	-	-	φ.090 MAX
WIRE STRIP LENGTH	TERM APPL SPEC	FEED	APPL INSTRUCTION
5mm	NONE	4.2mm	408-8040
SET UP GAGE	LAYOUT		
458637-1	L2651		

LEADMAKER		AIR FEED	
-1	BENCH MODEL K	AIR FEED	
-2	BENCH MODEL G	AIR FEED	



QTY	REQD	PER	ASSY	PART NO	DESCRIPTION	ITEM NO
129						
128						
127				1-354779-6	PIN, WIRE DISC (.3070)B	127
126				1-354779-2	PIN, WIRE DISC (.3050)A	126
125				986950-1	WASHER, FLAT PRECISION	125
124				217238-1	GENERAL INSTRUCTION PACKAGE	124
123				4088040	SF APPL INST 408-8040	123
122						122
121				4-21028-0	PIN,SLT SPR(φ.093x.75)ST GDE PL	121
120						120
119						119
118						118
117				21024-5	WASHER, LOCK (#10)ADJ BLOCK	117
116						116
115						115
114				21024-2	WASHER,LOCK (#4)FRONT STP GUIDE	114
113				21055-4	WASHER,FLAT (#4)FRONT STP GUIDE	113
112						112
111				21024-4	WASHER,LOCK (#8)	111
110						110
109						109
108						108
107						107
106						106
105				21021-4	NUT, SELF LOCK(10-32)DRAG	105
104						104
103				21009-2	SCR,SKT SET(1/4-20x.25 LW)RAM	103
102				21017-2	SCR,DRIVE (#2x.19) ID PLATE	102
101						101
100				461264-1	PLATE, IDENTIFICATION	100
99				5-21006-9	STUD (10-32x1.25) DRAG	99
98				22733-8	SCR,BHC (8-32x.38 LW)ANVIL	98
97				2-21002-9	SCR,BHC (10-32x.75)CAP	97
96				2-22733-8	SCR,BHC (1/4-20x.62)H5G	96
95				2-21002-7	SCR,BHC (10-32x.50)SG ADJ BLK	95
94				2-21002-2	SCR,BHC (8-32x.50) TERM H DWN	94
93						93
92						92
91						91
90				22202-1	NUT, JAM, 1/4-20	90
89				1-21986-3	CLIP, E-RING	89
88				1490895-1	SCR,SKT SET(1/4-20x.75)MOD	88
87						87
86				2-22603-1	SCR,HEX HD(8-32x.38)FEED FINGER	86
85				1-21000-4	SCR,SHC (4-40x.38)F ST GUIDE	85
84				2-21000-6	SCR,SHC (8-32x.38)HOLD DOWN	84
83						83
82						82
81						81
80				3-21000-4	SCR,SHC (10-32x.38)SG ADJ BL	81
79						79
78				462992-7	GUARD ASSY	78
77				679532-1	INSERT, GUARD	77
76				662516-4	WIRE FUNNEL ASSEMBLY	76
75						75
74						74
73						73
72				3-21000-5	SCR,SHC (3/8-16x1.00)	72
71				459610-3	MOUNT, FEED BRACKET	71
70						70
69						69
68						68
67						67
66						66
65						65
64						64
63						63
62						62
61						61
60						60
59						59
58						58
57						57
56						56
55						55
54						54
53						53
52						52
51						51
50						50
49						49
48						48
47						47
46						46
45						45
44						44
43						43
42						42
41						41
40						40
39						39
38						38
37						37
36						36
35						35
34						34
33						33
32						32
31						31
30						30
29						29
28						28
27						27
26						26
25						25
24						24
23						23
22						22
21						21
20						20
19						19
18						18
17						17
16						16
15						15
14						14
13						13
12						12
11						11
10						10
9						9
8						8
7						7
6						6
5						5
4						4
3						3
2						2
1						1

QTY	REQD	PER	ASSY	PART NO	DESCRIPTION	ITEM NO
70				21024-8	WASHER, LOCK(3/8)	70
69				455350-1	AIR BLAST ASSY	69
68						68
67				24042-2	VALVE, SHUT OFF	67
66				692655-1	AIR FEED VALVE ASSY	66
65				461065-4	AIR FEED ASSY (1 INCH)	65
64				3-21000-9	SCR,SHC (10-32x1.00)AIR ASSY	64
63				980285-2	ELBOW, 1/8 NPT - 1/4 T	63
62				23238-1	QUICK DISCONNECT	62
61				27319-4	TUBING, POLY-FLO φ.25	61
60				22306-3	ELBOW, SWIVEL 1/8 NPT - 1/4 T	60
59				454220-1	CAP, RAM	59
58				454485-1	HOUSING	58
57						57
56				690542-2	PAWL, FEED	56
55						55
54						54
53				461062-1	FEED FINGER ASSY	53
52						52
51						51
50				23054-1	VALVE, FLOW CONTROL	50
49						49
48				22304-1	NIPPLE, HEX 1/8 NPT	48
47						47
46						46
45				690191-1	PLUG, NYLON	45
44				455673-2	RAM	44
43				690125-1	WASHER, LAMINATED	43
42				690124-1	WASHER, RAM	42
41				7-21002-9	BOLT, CRIMPER (5/16x1.00)	41
40						40
39						39
38				690223-2	SPACER, INSULATION DISC	38
37				455673-1	WIRE DISC	37
36				22480-5	WASHER, SPRING	36
35				690212-1	POST, RAM	35
34				2-690786-5	SUPPORT, TERMINAL	34
33				1-455675-0	PLATE, BASE	33
32				690432-3	SCREW, ADJUSTMENT	32
31						31
30				455689-1	BLOCK, STRIP GUIDE ADJ	30
29				356724-1	PLATE, STRIP GUIDE	29
28				1-455888-8	SPACER, CRIMPER	28
27				22282-1	SPRING, DRAG	27
26				454175-2	LEVER, DRAG RELEASE	26
25				662151-1	DRAG	25
24				2-690440-7	GUIDE, STRIP (REAR)	24
23				1-690487-3	GUIDE, STRIP (FRONT)	23
22						22
21						21
20						20
19						19
18						18
17						17
16						16
15				3-690518-2	DEPRESSOR, SHEAR (REAR)	15
14						14
13						13
12				356753-1	SPRING, ANTI BACK-UP	12
11						11
10						10
9				662150-2	RAMP	9
8				1633019-1	ANVIL	8
7				662508-1	HOLDER, BLADE	7
6				662115-1	BLADE, SHEAR	6
5				662113-2	CAP, DEPRESSOR	5
4				662114-2	DEPRESSOR, TERMINAL	4
3				22278-7	SPRING	3
2				1-455888-4	SPACER, CRIMPER	2
1				1-462808-4	CRIMPER, WIRE	1



- 1 RECOMMENDED SPARE PARTS.
- 2 GREASE LIGHTLY.
- 3 GUARD MUST BE IN PLACE WHEN OPERATING APPLICATOR IN A BENCH MACHINE.
- 4 SEE DRAWING FOR COMPONENTS.
- 5 ITEM NOT SHOWN ON ASSEMBLY.
- 6 CRIMP HEIGHT FOR TERMINAL 1241002-1 INSULATION φ.110 MAX.
- 7 THREAD ITEM 88 INTO ITEM 25 AND INSERT ITEM 89 ONTO ITEM 88.

# Mouser Electronics

Authorized Distributor

Click to View Pricing, Inventory, Delivery & Lifecycle Information:

[TE Connectivity:](#)

[1852150-1](#)