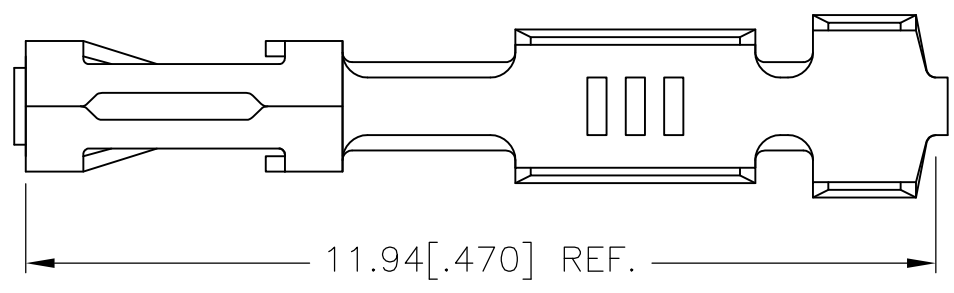
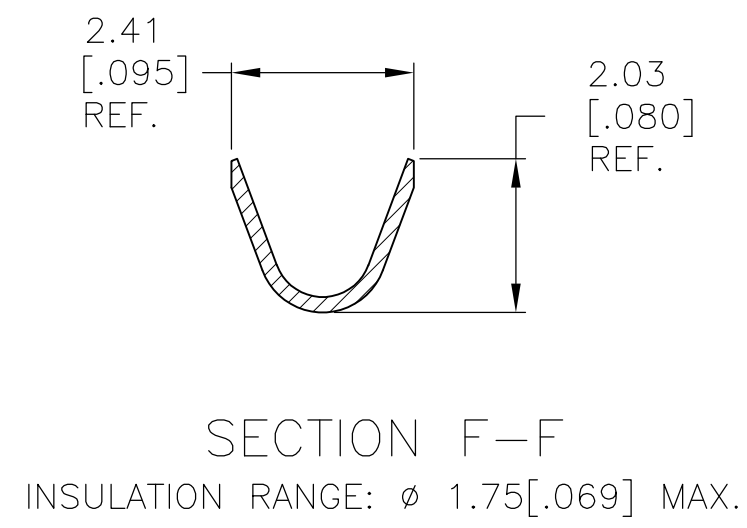
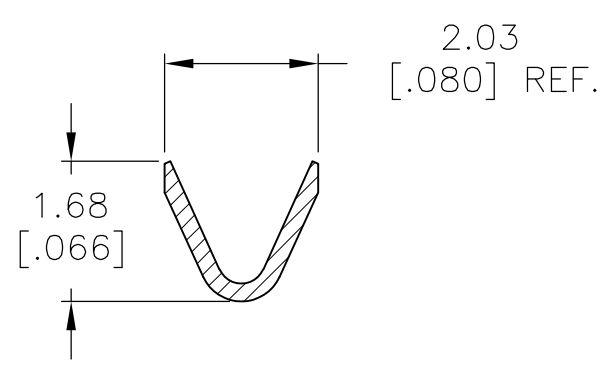
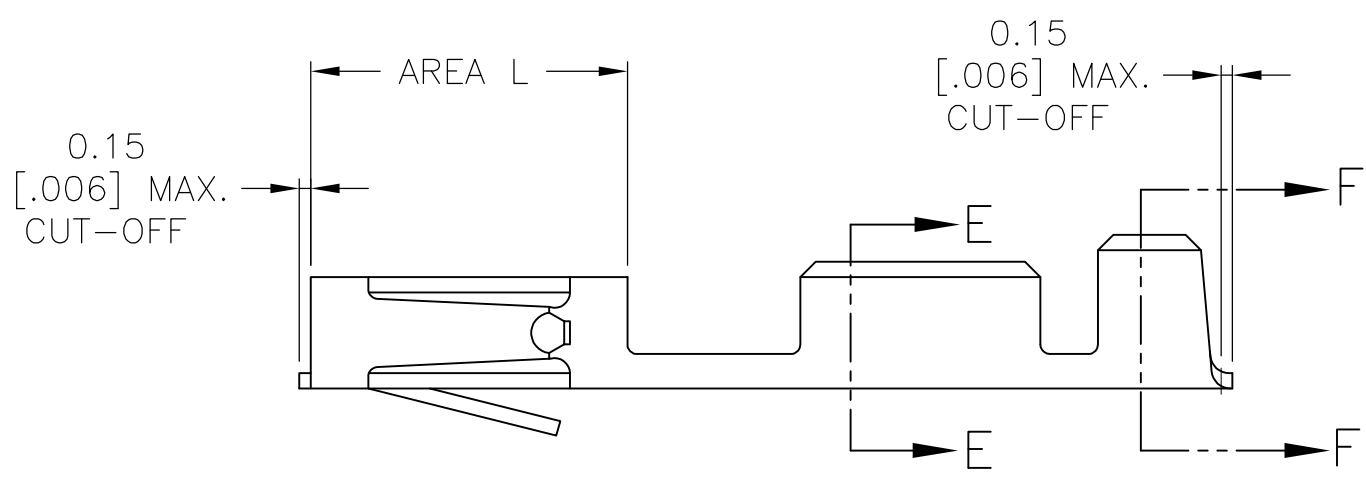


THIS DRAWING IS UNPUBLISHED. RELEASED FOR PUBLICATION  
 © COPYRIGHT - By - ALL RIGHTS RESERVED.

LOC	DIST	REVISIONS					
AD	39	P	LTR	DESCRIPTION	DATE	DWN	APVD
			E	REVISED PER ECO-15-004633	30MAY2015	NK	JO



- △1 GOLD FLASH OVER NICKEL, 0.00038[.000015] GOLD IN CONTACT AREAS.
- △2 0.00076[.000030] GOLD OVER 0.00127[.000050] NICKEL.
- △3 GOLD FLASH OVER NICKEL, 0.00076[.000030] GOLD IN CONTACT AREA.
- △4 PREPLATED:(HALT) 0.00198[.000078]-0.00401[.000158] BRIGHT TIN.
- △5 GOLD FLASH OVER ENTIRE RECPT BOX (AREA L), 0.00076[.000030] GOLD ON CONTACT AREA, ALL OVER 0.00127[.000050] NICKEL ENTIRE CONTACT.
- △6 GOLD FLASH OVER ENTIRE CONTACT, 0.00127[.000050] GOLD ON CONTACT AREA, ALL OVER 0.00127[.000050] NICKEL.



SECTION E-E  
 WIRE RANGE : #20 - #24

OBSOLETE	△6	87046-6
	△5	87046-5
	△4	87046-4
	△3	87046-3
	△2	87046-2
	△1	87046-1
	FINISH REF	PART NUMBER

THIS DRAWING IS A CONTROLLED DOCUMENT.		DWN E. BRANDBERG 18-JAN-96	<b>STE</b> TE Connectivity		
DIMENSIONS: mm [INCHES]		CHK S. SHUEY 18-JAN-96			
TOLERANCES UNLESS OTHERWISE SPECIFIED:		APVD D. TROUT 18-JAN-96	NAME CONTACT, MOD IV-1/2, CRIMP SNAP-IN, LOOSE PIECE		
0 PLC ± -		PRODUCT SPEC 108-25021	SIZE		
1 PLC ± -		APPLICATION SPEC 114-25003	CAGE CODE A300779	DRAWING NO C-87046	RESTRICTED TO
2 PLC ± -		WEIGHT -	SCALE 10:1		
3 PLC ± -		CUSTOMER DRAWING	SHEET 1 OF 1		
4 PLC ± -			REV E		
ANGLES ± -					
MATERIAL CU-NI-SI		FINISH SEE TABLE			

# Mouser Electronics

Authorized Distributor

Click to View Pricing, Inventory, Delivery & Lifecycle Information:

[TE Connectivity:](#)

[87046-4](#)