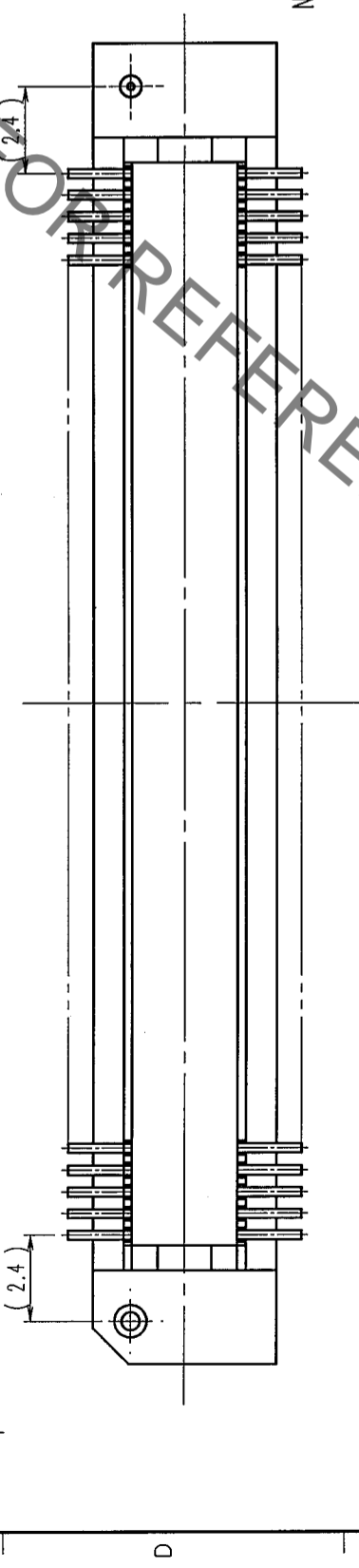
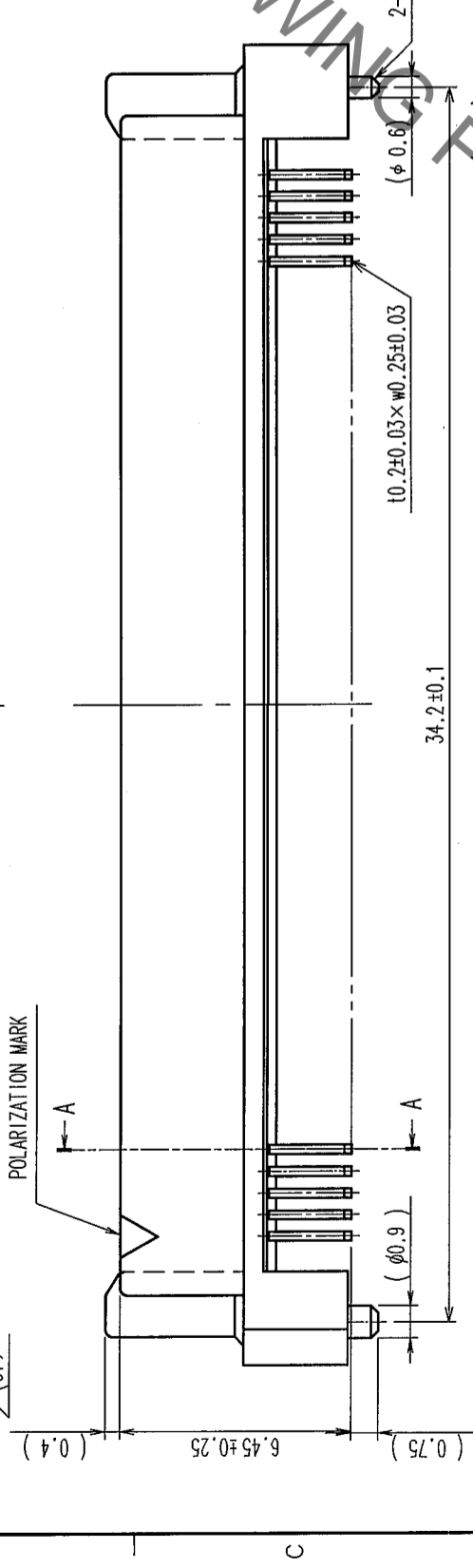
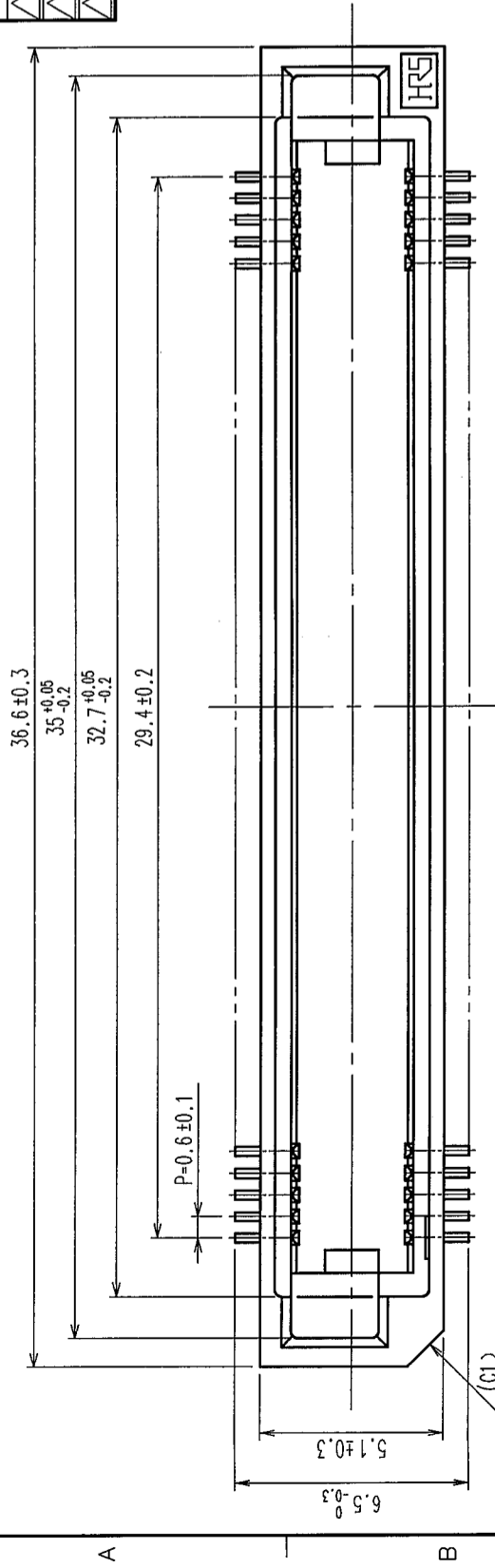
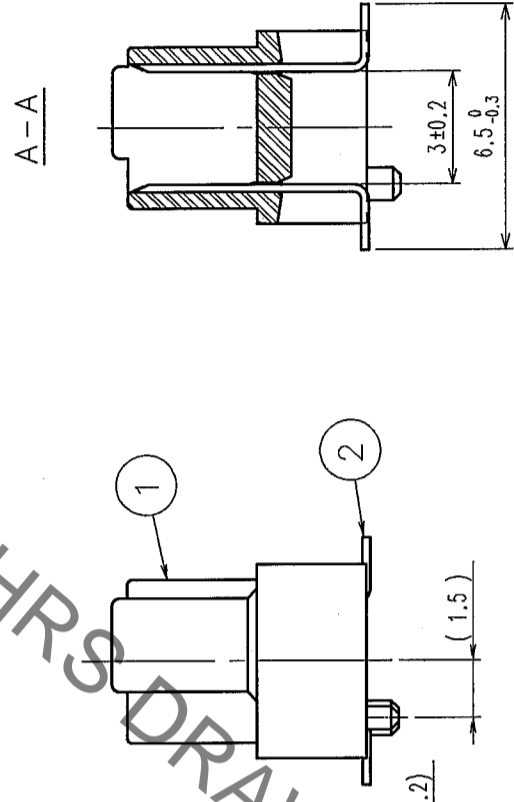
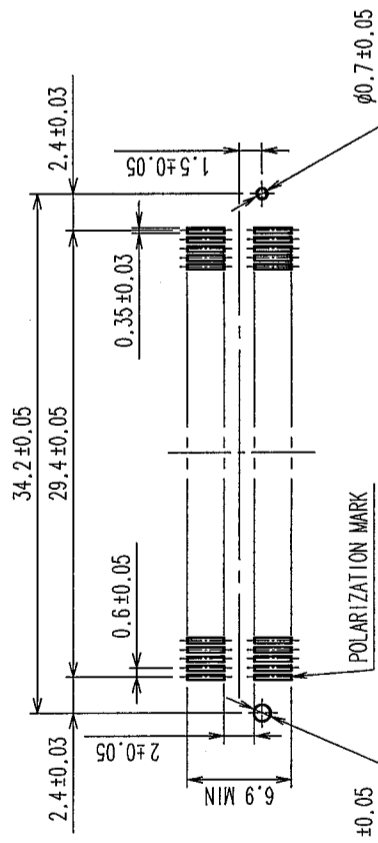


COUNT	DESCRIPTION OF REVISIONS	BY	CHKD	DATE	COUNT	DESCRIPTION OF REVISIONS	BY	CHKD	DATE
△					△				
△					△				
△					△				



RECOMMENDED LAND PATTERN DIMENSION OF PCB (MOUNTING SIDE) (2:1)

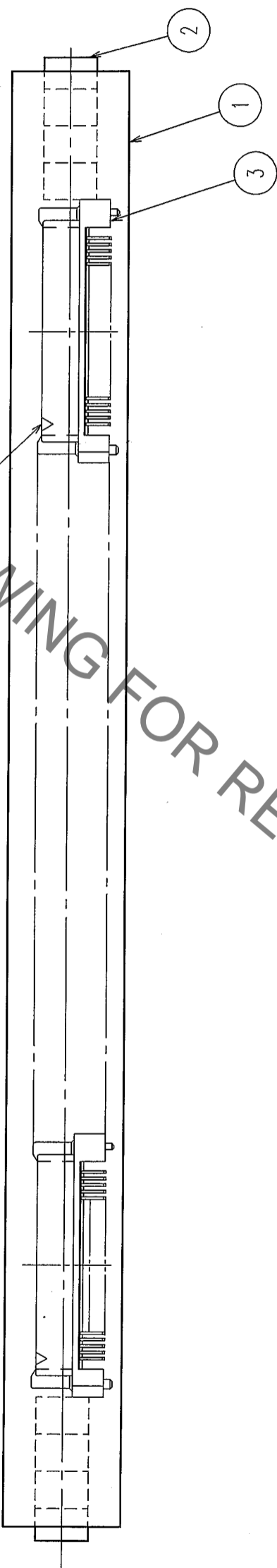


- NOTE 1. LEAD CO-PLANARITY SHALL BE 0.1mm MAX.  
 2. TUBE PACKAGING SHALL BE APPLIED FOR THIS PRODUCT. SEE NEXT PAGE FOR DETAILS.  
 3. FOR MODIFICATION, ETC., PREVENTIVE HOLE FOR SINK MARK MAY BE ADDED ACCORDING TO CIRCUMSTANCES.  
 4. THE DIMENSIONS IN PARENTHESES ARE FOR REFERENCE.

1	PPS	LIGHT BROWN (UL94V-0)	2	PHOSPHOR BRONZE	CONTACT AREA: GOLD 0.1μm min. LEAD AREA: TIN-PLATING 1μm min. UNDER PLATING: NICKEL 1μm min.
NO.	MATERIAL	FINISH, REMARKS	NO.	MATERIAL	FINISH, REMARKS
CL					
DRAWN		DESIGNED		CHECKED	
A. SUZUKAWA		H. OGIWARA		H. OGIWARA	
05.11.11		05.11.14		05.11.14	
SCALE		PART NO.		APPROVED	
5 : 1		EDC3-150843-21		H. OGIWARA	
UNITS		DRAWING NO.		RELEASED	
mm		5		H. OGIWARA	
		HIROSE ELECTRIC CO., LTD		H. OGIWARA	
		CL578-0545-4-91		H. OGIWARA	
		1/2		H. OGIWARA	

2. In case of consideration for using Automotive equipment / device which demand high reliability, kindly contact our sales window correspondents.

COUNT	DESCRIPTION OF REVISIONS	BY	CHKD	DATE	COUNT	DESCRIPTION OF REVISIONS	BY	CHKD	DATE
△					△				
△					△				
△					△				



NOTE 1. 1 TUBE : 14 CONNECTORS.  
2. THE DIMENSIONS IN PARENTHESES ARE FOR REFERENCE.

2 POLYVINYL CHLORIDE (STOPPER)		3 POLYVINYL CHLORIDE (CONNECTOR)					
NO.	MATERIAL	FINISH, REMARKS	DESIGNED	CHECKED	APPROVED	RELEASED	
1	POLYVINYL CHLORIDE (TUBE)						
CODE NO. (OLD) CL		DRAWN A. SUZUKAWA 05.11.11		DESIGNED <i>N. Nakamura</i> 05.11.14		CHECKED <i>K. Ogawa</i> 05.11.14	
SCALE FREE		DRAWING NO. EDC3-150843-21		PART NO. FX8C-100P-SV2(91)		FINISH, REMARKS	
UNITS mm		HIROSE ELECTRIC CO., LTD		CODE NO. CL578-0545-4-91		2	

TO  
PCK