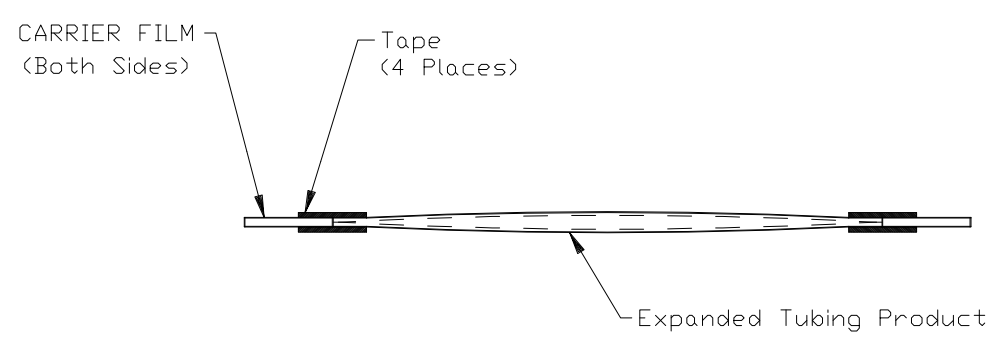
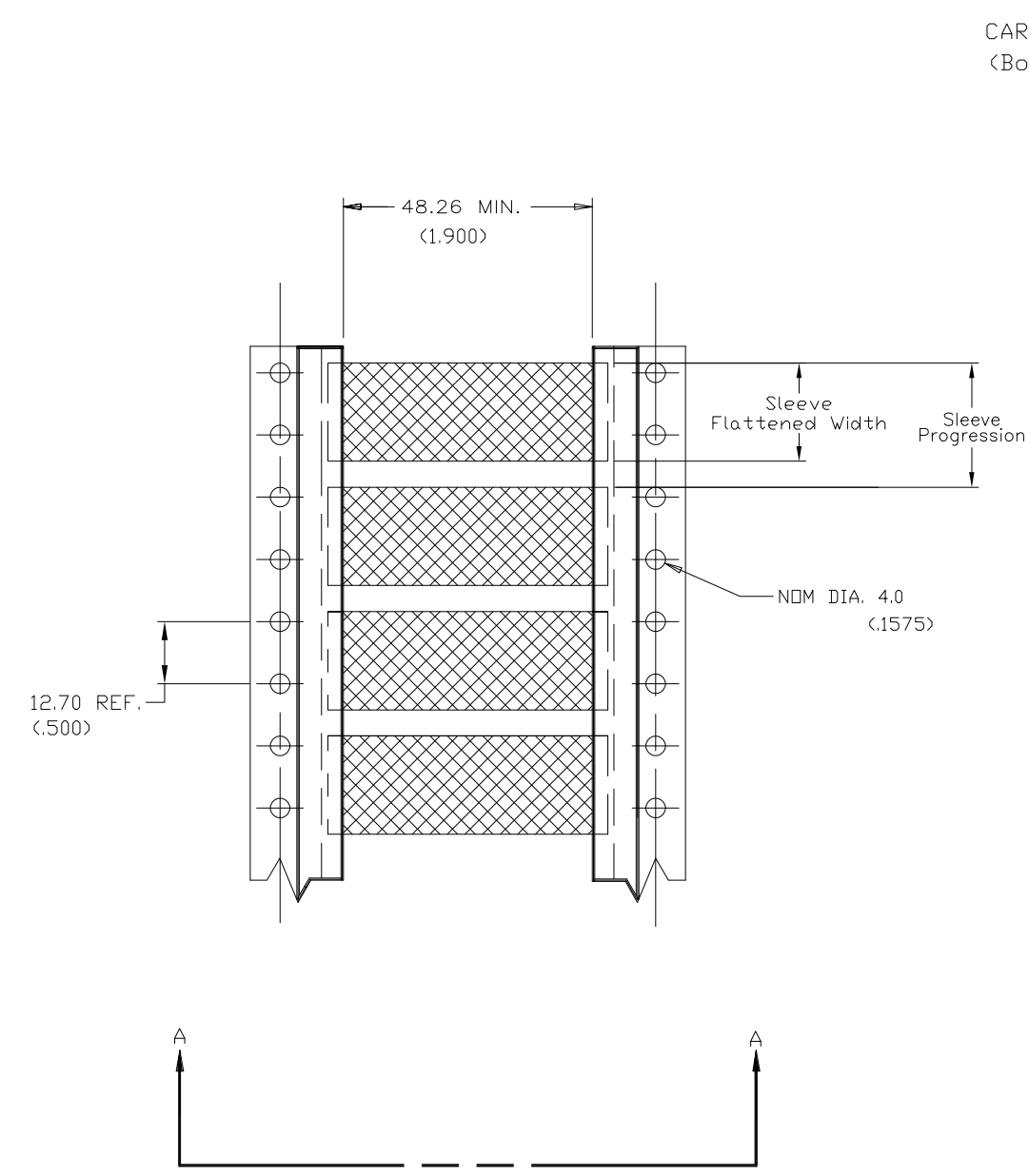


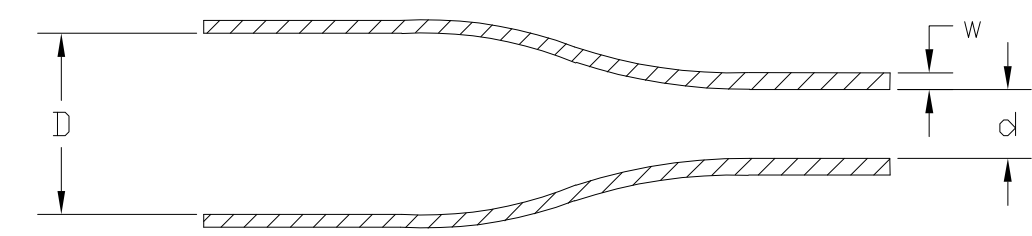
THIS DRAWING IS UNPUBLISHED. RELEASED FOR PUBLICATION  
 © COPYRIGHT - By - ALL RIGHTS RESERVED.

| LOC | DIST | REVISIONS                 |           |     |      |
|-----|------|---------------------------|-----------|-----|------|
| P   | LTR  | DESCRIPTION               | DATE      | DWN | APVD |
|     | F    | UPDATE REF. ECR-14-013419 | 16FEB2015 | AFK | SR   |



| Product Size                    | 3/32         | 1/8          | 3/16         | 1/4          | 3/8           | 1/2           | 3/4           | 1            | 1-1/2        | 2             | 2-1/4         |
|---------------------------------|--------------|--------------|--------------|--------------|---------------|---------------|---------------|--------------|--------------|---------------|---------------|
| Minimum Sleeve Flattened Width  | 4.32 (.170)  | 5.84 (.230)  | 8.00 (.315)  | 10.7 (.420)  | 15.5 (.610)   | 20.4 (.803)   | 30.5 (1.200)  | 40.4 (1.590) | 60.3 (2.37)  | 80.0 (3.15)   | 88.9 (3.50)   |
| Nominal Sleeve Progression      | 12.70 (.500) | 12.70 (.500) | 12.70 (.500) | 16.94 (.667) | 25.40 (1.000) | 29.64 (1.167) | 42.34 (1.667) | 50.80 (2.00) | 71.96 (2.83) | 101.60 (4.00) | 101.60 (4.00) |
| "D" Minimum Supplied I.D.       | 2.36 (.093)  | 3.18 (.125)  | 4.75 (.187)  | 6.35 (.250)  | 9.53 (.375)   | 12.70 (.500)  | 19.05 (.750)  | 25.40 (1.00) | 38.10 (1.50) | 50.80 (2.00)  | 57.15 (2.25)  |
| "d" Maximum Recovered I.D.      | 0.79 (.031)  | 1.07 (.042)  | 1.57 (.062)  | 2.11 (.083)  | 3.18 (.125)   | 4.22 (.166)   | 6.35 (.250)   | 8.46 (.333)  | 19.05 (.750) | 25.40 (1.00)  | 19.05 (.750)  |
| "w" Recovered wall ±0.08 (.003) | 0.58 (.023)  | 0.58 (.023)  | 0.58 (.023)  | 0.58 (.023)  | 0.61 (.024)   | 0.61 (.024)   | 0.61 (.024)   | 0.64 (.025)  | 0.51 (.020)  | 0.64 (.025)   | 0.76 (.030)   |

DIMENSIONS IN mm (inches)



|  |  |                    |                            |                 |
|--|--|--------------------|----------------------------|-----------------|
| THIS DRAWING IS A CONTROLLED DOCUMENT. |  | DWN AFK 08NOV2013  | TE Connectivity<br>TMS-SCE |                 |
| DIMENSIONS: mm                         |  | CHK -              |                            |                 |
| TOLERANCES UNLESS OTHERWISE SPECIFIED: |  | APVD -             | NAME                       |                 |
| 0 PLC ± -                              |  | PRODUCT SPEC -     | ---                        |                 |
| 1 PLC ± -                              |  | APPLICATION SPEC - | ---                        |                 |
| 2 PLC ± -                              |  | SIZE               | CAGE CODE                  | DRAWING NO      |
| 3 PLC ± -                              |  | A3 06090           |                            | ©-MCD160002     |
| 4 PLC ± -                              |  | CUSTOMER DRAWING   |                            | RESTRICTED TO - |
| ANGLES ± -                             |  | WEIGHT -           | SCALE 1:1                  | SHEET 1 OF 1    |
| MATERIAL CROSSLINKED POLYOLEFIN        |  | FINISH -           | REV F                      |                 |

# Mouser Electronics

Authorized Distributor

Click to View Pricing, Inventory, Delivery & Lifecycle Information:

[TE Connectivity:](#)

[TMS-SCE-3/8-2.0-4](#)