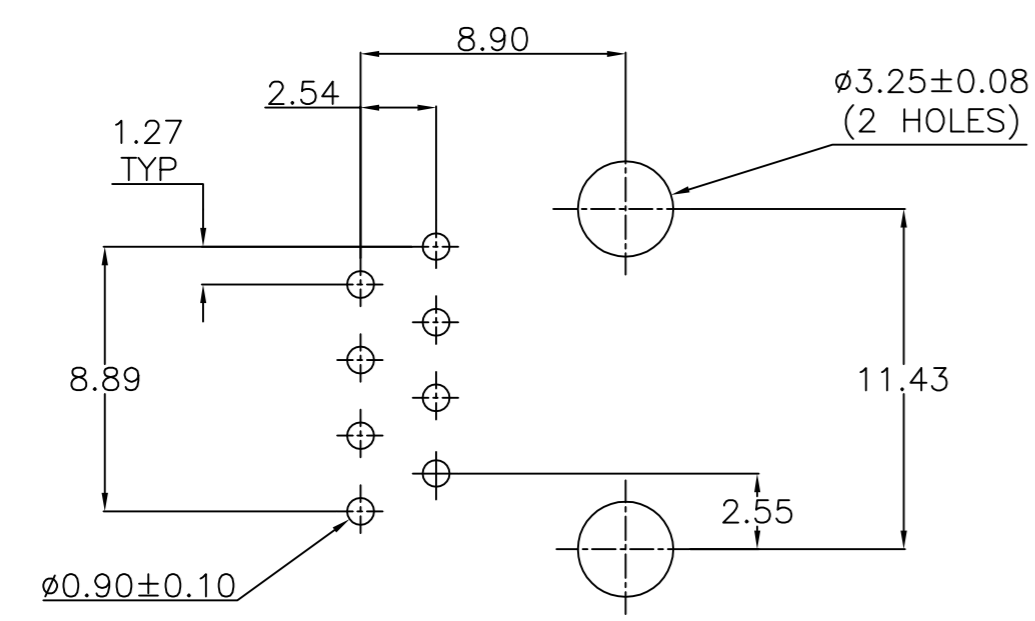
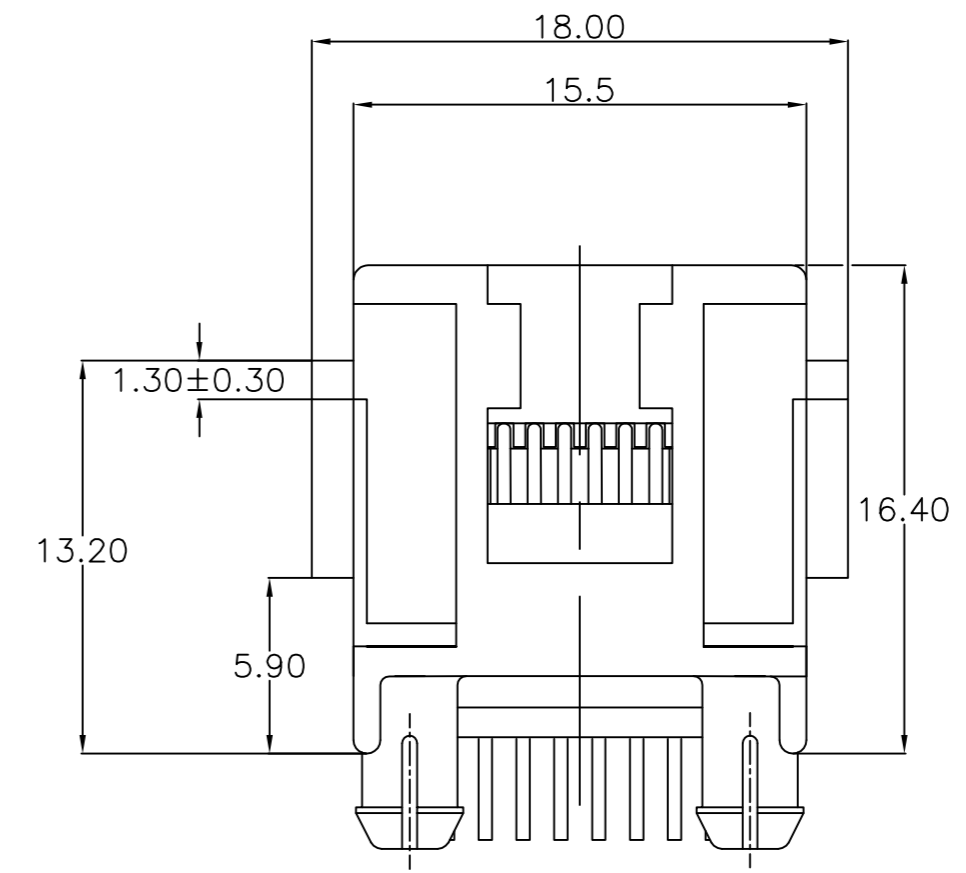
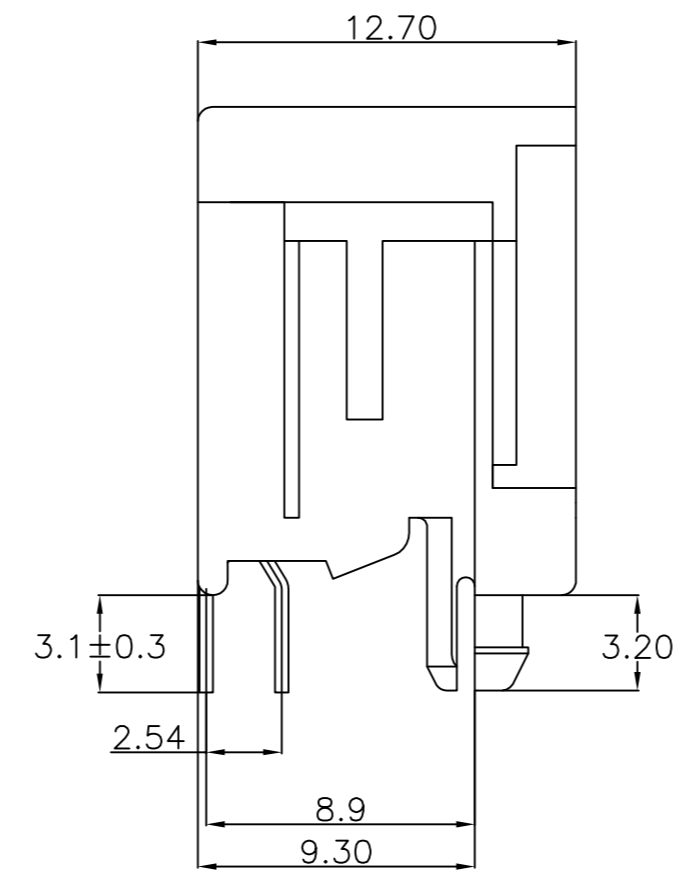
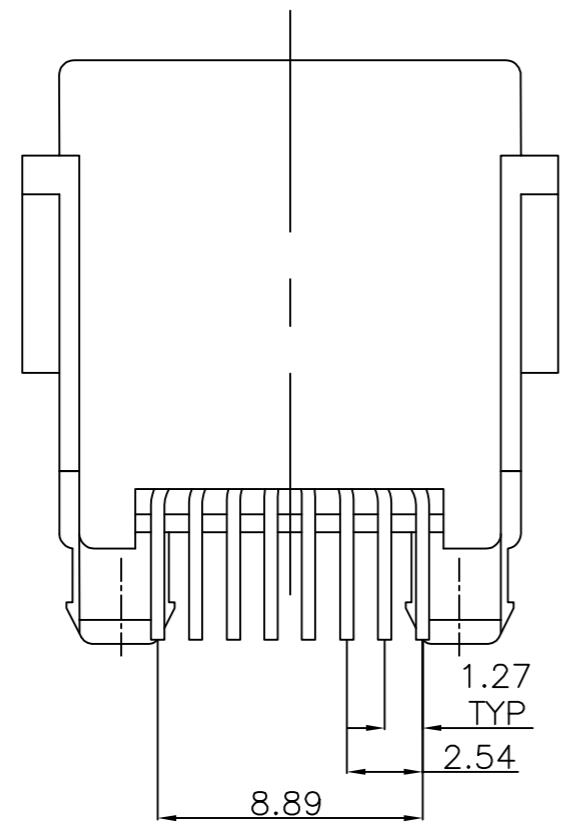
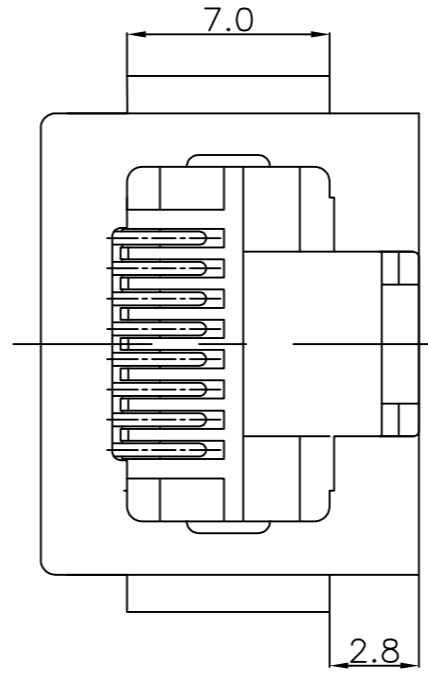


THIS DRAWING IS UNPUBLISHED. RELEASED FOR PUBLICATION
 © COPYRIGHT - By - ALL RIGHTS RESERVED.

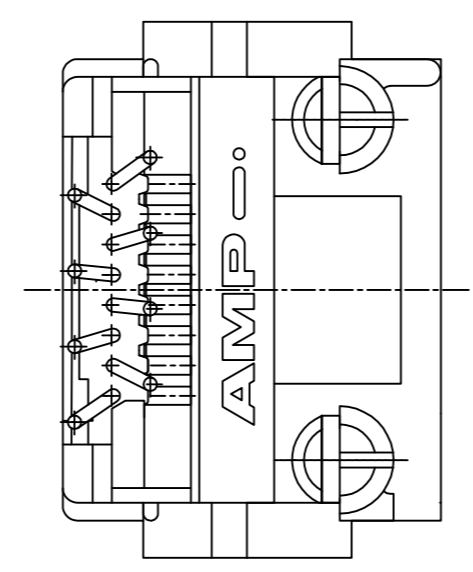
LOC		DIST		REVISIONS			
P	LTR	DESCRIPTION	DATE	DWN	APVD		
H	-						
	M2	ECO-14-008965	02Dec13	CW	SH		

- NOTES:
1. TOLERANCES UNLESS OTHERWISE SPECIFIED: ±0.15
 2. FOR APPLICATION INFORMATION SEE AMP SPEC. 114-19019.
 3. FOR PERFORMANCE REQUIREMENTS SEE AMP SPEC. 108-19064



PRINTED CIRCUIT BOARD LAYOUT

[VIEW SHOWN IS CIRCUIT (NONCOMPONENT) SIDE OF BOARD.]
 TOLERANCES UNLESS OTHERWISE SPECIFIED: ±0.05
 PRINTED CIRCUIT BOARD THICKNESS: 1.6 mm NOMINAL.



PACKAGING	REMARKS	FINISH	MATERIAL	PART NUMBER
800 PCS. ON A 60cm. DIA. REEL	8 POSITIONS/ 8 CONTACTS.	IN CONTACT AREA: 1.2µm MIN. SEL. GOLD OVER 1.2µm MIN. NICKEL SOLDER TINES: 2.0µm MIN. TIN OVER 1.2µm MIN. NICKEL	HOUSING: PBT,UL 94V-0 COLOR: BLACK CONTACTS: PHOSPHOR BRONZE	216550-2
			HOUSING: PBT,UL 94V-HB COLOR: BLACK CONTACTS: PHOSPHOR BRONZE	216550-1

THIS DRAWING IS A CONTROLLED DOCUMENT.

DIMENSIONS: mm	TOLERANCES UNLESS OTHERWISE SPECIFIED:	DWN J.V.LIEMPT 22JAN92	TE Connectivity
0 PLC ± -	1 PLC ± -	CHK C.STERKEN	
MATERIAL SEE TABLE	FINISH SEE TABLE	APVD L.V.SOEST	NAME
		PRODUCT SPEC	MODULAR JACK, 8 POS. TOP ENTRY, SMALL SIZE WITH PANEL STOPS, FOR PRINTED CIRCUIT BOARDS
		APPLICATION SPEC	SIZE A2 CAGE CODE 00779 DRAWING NO. C-216550 RESTRICTED TO
		WEIGHT	SCALE - SHEET 1 of 2 REV M3
		CUSTOMER DRAWING	

4

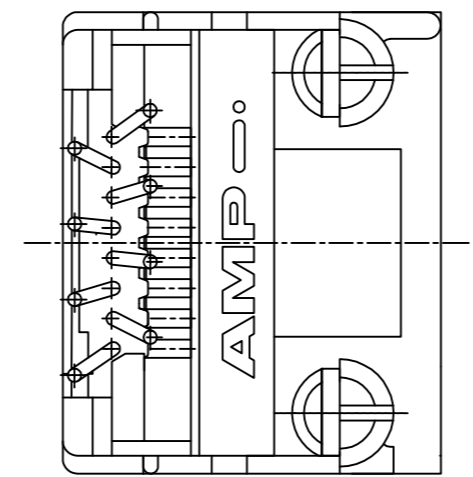
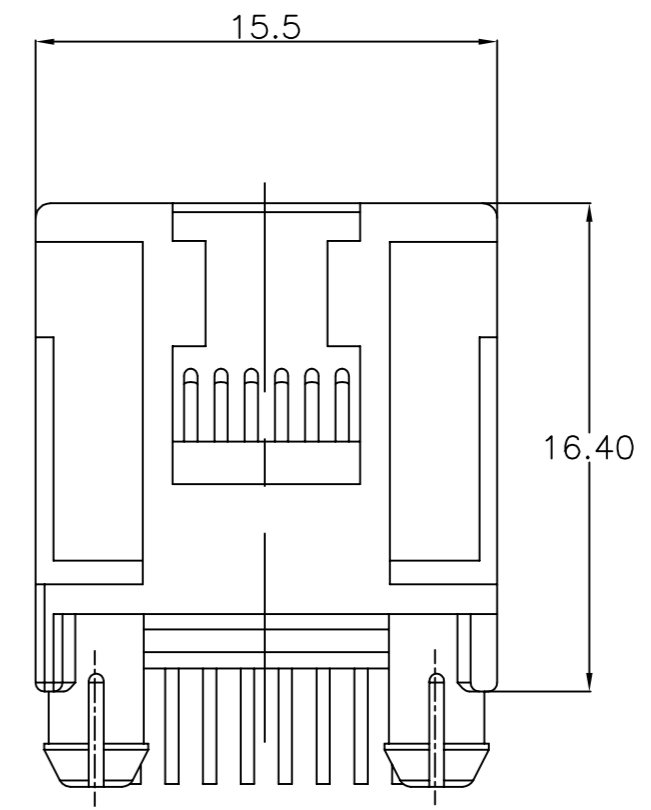
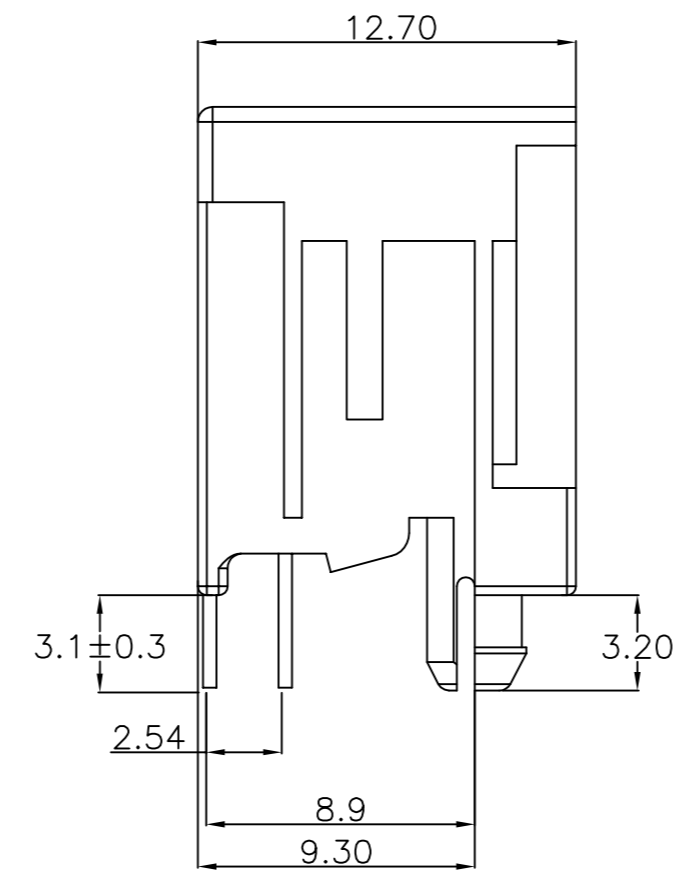
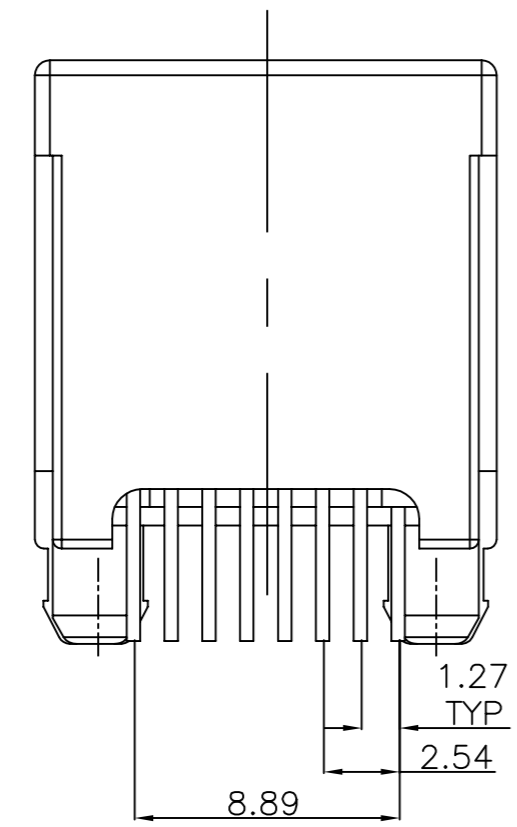
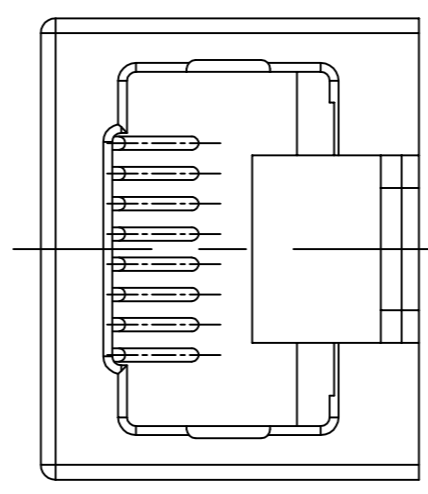
3

2

1

THIS DRAWING IS UNPUBLISHED. RELEASED FOR PUBLICATION
 © COPYRIGHT - By - ALL RIGHTS RESERVED.

LOC	DIST	REVISIONS			
P	LTR	DESCRIPTION	DATE	DWN	APVD
H	-	SEE SHEET 1/2			



THE SAME AS 216550-1, BUT NO PANEL STOP	HOUSING: PBT,UL 94V-HB GREY-RAL 7035	216550-6		
	CONTACTS: PHOSPHOR BRONZE			
	HOUSING: PBT,UL 94V-HB YELLOW Pantone 115U	216550-5		
	CONTACTS: PHOSPHOR BRONZE			
	HOUSING: PBT,UL 94V-HB COLOR: BLACK	216550-4		
	CONTACTS: PHOSPHOR BRONZE			
PACKAGING	REMARKS	FINISH	MATERIAL	PART NUMBER

THIS DRAWING IS A CONTROLLED DOCUMENT.		DWN J.V.LIEMPT 22JAN92	TE Connectivity	
DIMENSIONS: mm		CHK C.STERKEN	NAME	
TOLERANCES UNLESS OTHERWISE SPECIFIED:		APVD L.V.SOEST	MODULAR JACK, 8 POS. TOP ENTRY, SMALL SIZE WITH PANEL STOPS, FOR PRINTED CIRCUIT BOARDS	
0 PLC ± -	1 PLC ± -	PRODUCT SPEC	SIZE A2	CAGE CODE 00779
2 PLC ± -	3 PLC ± -	APPLICATION SPEC	DRAWING NO C=216550	RESTRICTED TO -
4 PLC ± -	ANGLES ± -	WEIGHT -	SCALE -	SHEET 2 of 2
MATERIAL SEE TABLE	FINISH SEE TABLE	CUSTOMER DRAWING	REV M3	

Mouser Electronics

Authorized Distributor

Click to View Pricing, Inventory, Delivery & Lifecycle Information:

[TE Connectivity:](#)

[216550-2](#)