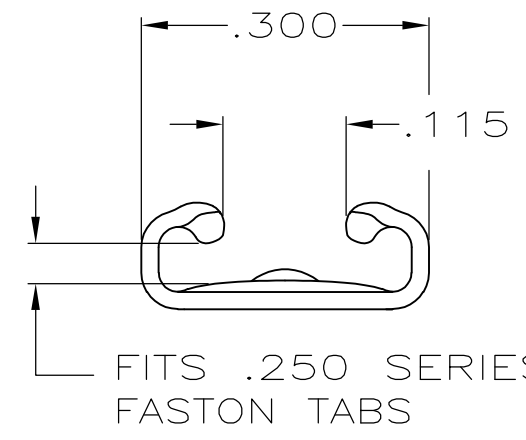
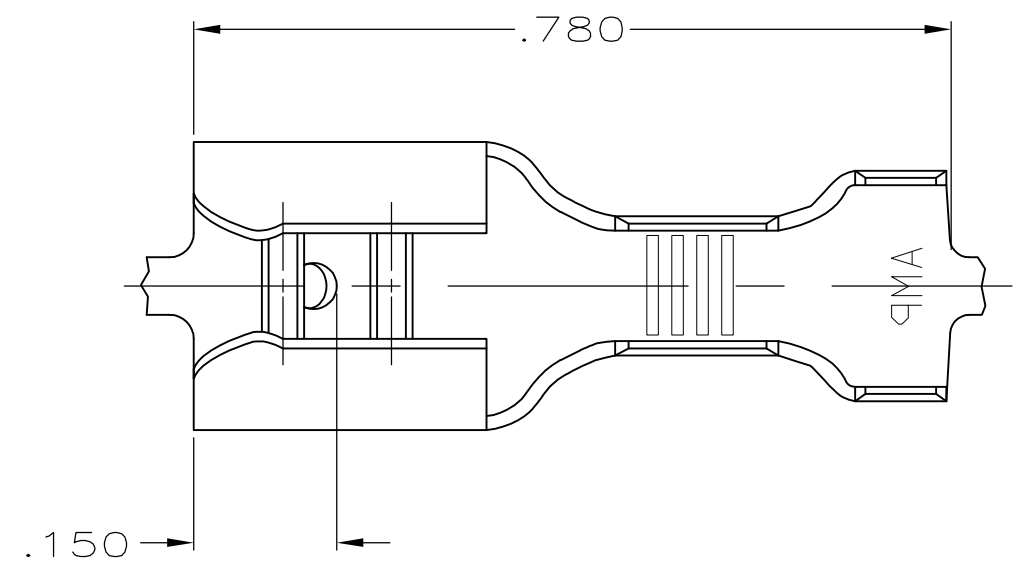


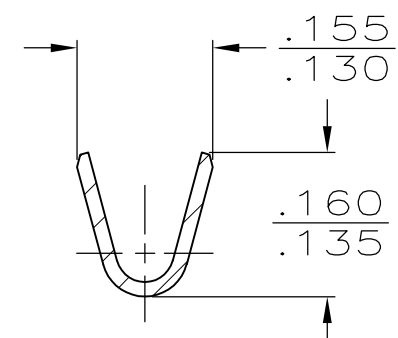
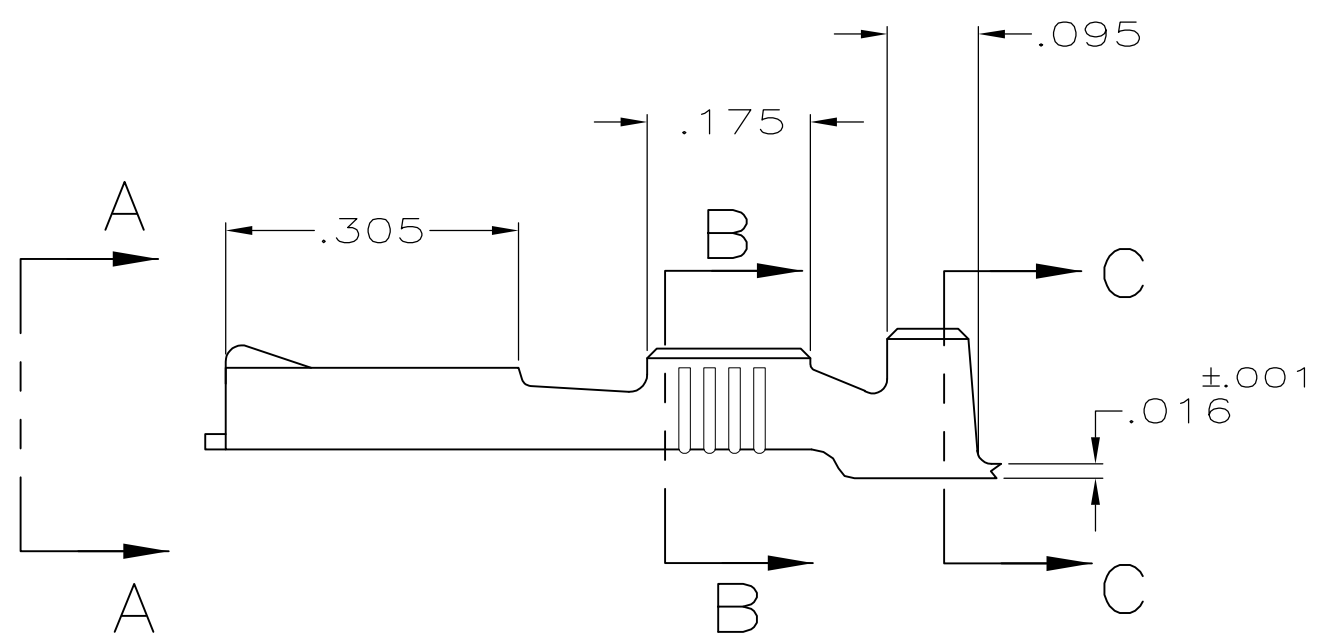
THIS DRAWING IS UNPUBLISHED. RELEASED FOR PUBLICATION  
 © COPYRIGHT - By - ALL RIGHTS RESERVED.

LOC	DIST	REVISIONS			
P	LTR	DESCRIPTION	DATE	DWN	APVD
AF	50	G	REVISED PER ECR-12-013445	09NOV12	KH PD

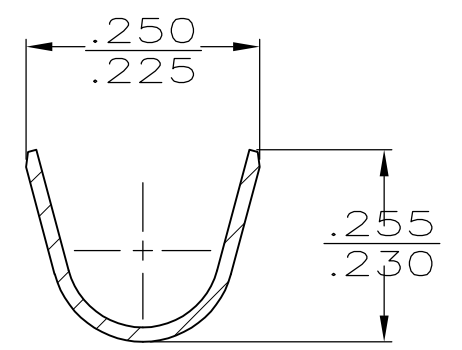
1 CONTINUOUS STRIP ON REELS.



FITS .250 SERIES FASTON TABS  
 VIEW A-A



SECTION B-B



SECTION C-C

TIN	.150-.210 DIA	18-14 AWG	.032	42692-2
-				42692-1
FINISH	INSULATION RANGE	WIRE SIZE	MATING TAB THK ±.001	PART NUMBER

THIS DRAWING IS A CONTROLLED DOCUMENT.		DWN JR RUTH 4/15/91	<b>TE Connectivity</b>  RECEPTACLE, FASTON, .250 SERIES				
DIMENSIONS: INCHES		CHK MS FEHER 4/15/91				NAME	
TOLERANCES UNLESS OTHERWISE SPECIFIED: 0 PLC ± - 1 PLC ± - 2 PLC ± - 3 PLC ± .015 4 PLC ± - ANGLES ± -		APVD C MEYERS 4/15/91				PRODUCT SPEC	
MATERIAL BRASS		FINISH SEE TABLE				APPLICATION SPEC	
		WEIGHT -	SIZE A3	CAGE CODE 00779	DRAWING NO C-42692		
CUSTOMER DRAWING			SCALE 5:1	SHEET 1 OF 1	REV G		

# Mouser Electronics

Authorized Distributor

Click to View Pricing, Inventory, Delivery & Lifecycle Information:

[TE Connectivity:](#)

[42692-1](#)