

**SERIES 37F**  
Piezo Keypads

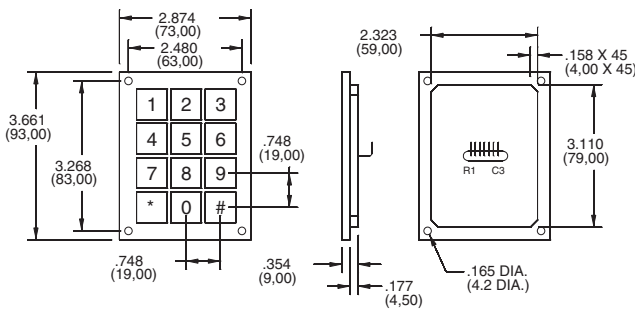
**FEATURES**

- Fully Sealed
- Virtually Indestructible
- Vandal Resistant
- Indoor and Outdoor Use

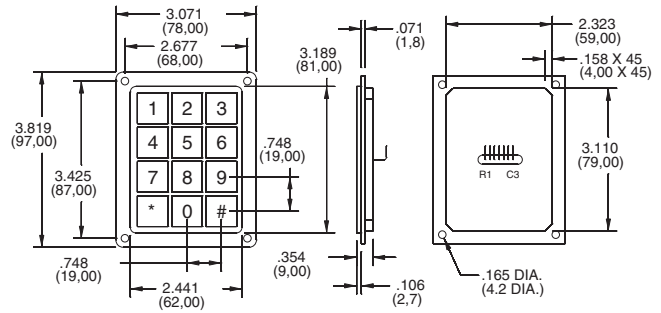


**DIMENSIONS** in inches (and millimeters)

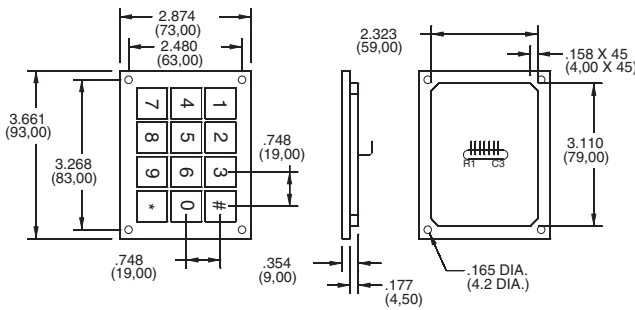
**3x4 Keypad**



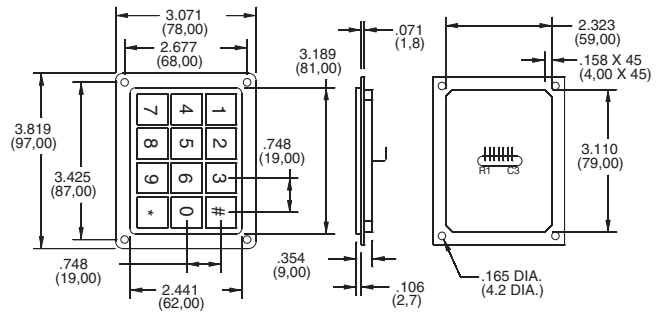
**FRONT MOUNT OPT- #1**



**REAR MOUNT OPT- #3**



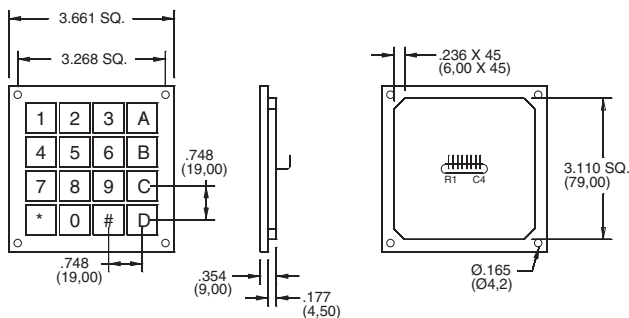
**FRONT MOUNT OPT- #2**



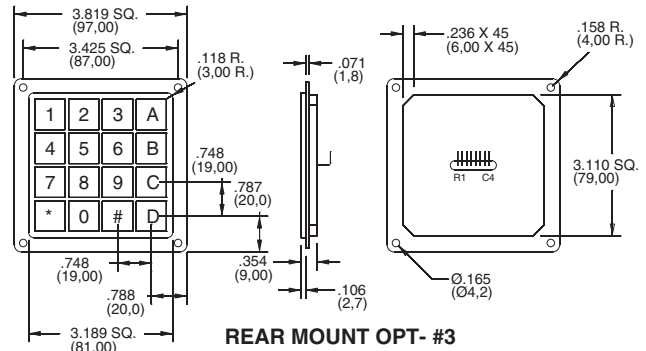
**REAR MOUNT OPT- #4**

**DIMENSIONS** in inches (and millimeters)

**4X4 Keypad**

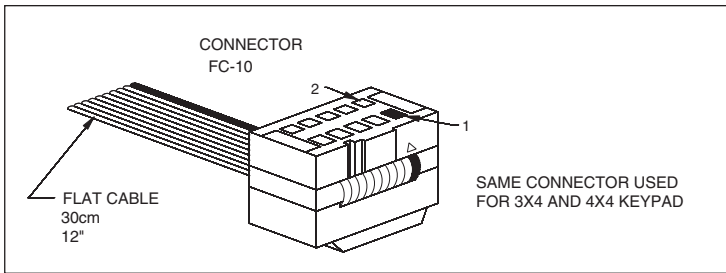


**FRONT MOUNT OPT- #1**



**REAR MOUNT OPT- #3**

CONNECTORS in inches (and millimeters)



Keyboards and Keypads

CODE AND TRUTH TABLES

Truth Table for 3x4 Keypads

SWITCH POSITION	CONNECTOR PIN#						
	1	2	3	4	5	6	7
1				●			●
2				●		●	
3				●	●		
4			●				●
5			●			●	
6			●		●		
7		●					●
8		●				●	
9		●			●		
10	●						●
11	●					●	
12	●			●			

Truth Table for 4x4 Keypads

SWITCH POSITION	CONNECTOR PIN#							
	1	2	3	4	5	6	7	8
1	●				●			
2	●					●		
3	●						●	
4	●							●
5		●			●			
6		●				●		
7		●					●	
8		●						●
9			●		●			
10			●			●		
11			●				●	
12			●					●
13				●	●			
14				●		●		
15				●			●	
16				●				●

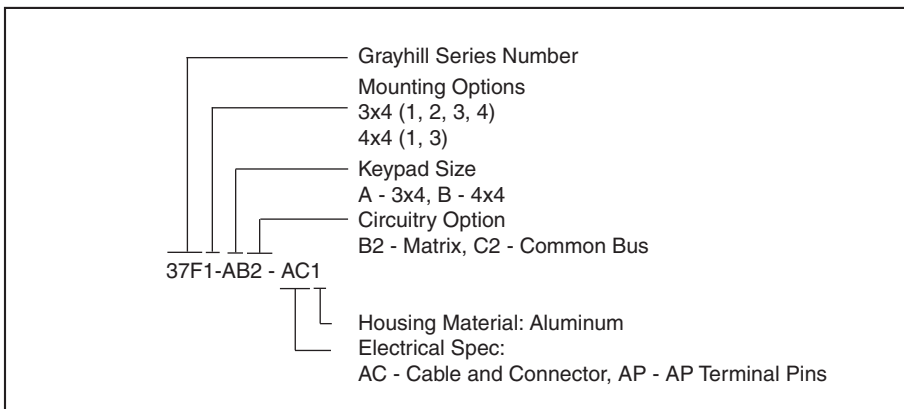
SPECIFICATIONS

Rating Criteria  
 Rated Voltage: 0 – 24V AC/DC  
 Rated Current: 0 – 2 Amps.  
 Resistance “ON”: <10 Ohms.  
 Resistance “OFF”: >5 megohms

Switch Capacitance: 25pF  
 Switch Functioning: One Shot  
 Activation Force: 3-5N Typ.  
 Operating Temperature: -40°C to 85°C  
 (40° to 125°C upon requested)

Lifecycle: >50 million  
 EMI or RFI Effect: None  
 Housing Material: Aluminum  
 Protection System: IP68  
 according to IEC 529.

ORDERING INFORMATION



# Mouser Electronics

Authorized Distributor

Click to View Pricing, Inventory, Delivery & Lifecycle Information:

## Grayhill:

[37F1-AB2-AC1](#) [37F1-AB2-AP1](#) [37F1-AC2-AC1](#) [37F1-BB2-AC1](#) [37F1-BB2-AP1](#) [37F3-AB2-AC1](#) [37F3-AB2-AP1](#)  
[37F4-AB2-AC1](#) [37F1-BB2-AC2](#) [37F1-BC2-AC2](#) [37F2-AB2-AC1](#) [37F2-BB2-AP1](#) [37F3-AB2-AP2](#) [37F3-BB2-AP1](#)  
[37F3-BB2-AP2](#) [37F3-JB2-AP2](#) [37F1-BB2-AP2](#) [37F3-BB2-AC1](#)