

# K5V Illuminated Tact Switch



## Features

- Gold plated dome contact SPST/SPDT
- Excellent ergonomics
- High bright leds
- Reduced space usage on board
- 40 N overload
- Tape and reel
- RoHS compliant and compatible

## Typical Applications

- When backlighting and switch are required to be a "2 in 1" component
- The dome contact secures a superior contact reliability in time
- The ergonomics of K5V provides a long travel, a sharp tactile feel and an audible click
- Server, storage, automotive, network infrastructure, medical

## Specification

FUNCTION: momentary action  
 CONTACT ARRANGEMENT: Normally Open + Normally Closed  
 TERMINALS:  
 THT: Through hole terminals with positioning pegs  
 SMT: Surface mount terminals with positioning pegs  
 PM: Panel mount solder terminals with wire hole

## Electrical

POWER MIN/MAX: 0.02VA / 1.0VA  
 VOLTAGE MIN/MAX: 20mVdc – 32 Vdc  
 CURRENT MIN/MAX: 0.1mA – 100mA  
 CONTACT RESISTANCE: <150m Ω  
 INSULATION RESISTANCE: >1G Ω initial, >10M Ω after damp heat  
 BOUNCE TIME: <5ms

## Mechanical

Version	Operating force FA <sup>1</sup> Newtons (grams)	Operating life (operations)	Travel (total travel) mm(mm)
THT, SMT, PM	4.0 (400)	25,000	1.2 (2.4)

<sup>1</sup> Tolerances of operating force FA is ± 25%.

## Environmental

OPERATING TEMPERATURE: -40°C to 85°C  
 STORAGE TEMPERATURE: -50°C to 85°C  
 RELATIVE HUMIDITY: 90 to 96% according to NF EN 60068-2-30  
 PROTECTION: dust protection and flux tight  
 OVERLOAD: 40N min

## Packaging

THT:  
 60 pieces per tray; 1800 pieces per box  
 SMT:  
 330 pieces per reel (reel ø 360mm); 1320 pieces per box  
 PM:  
 60 pieces per tray; 2100 pieces per box

## Process

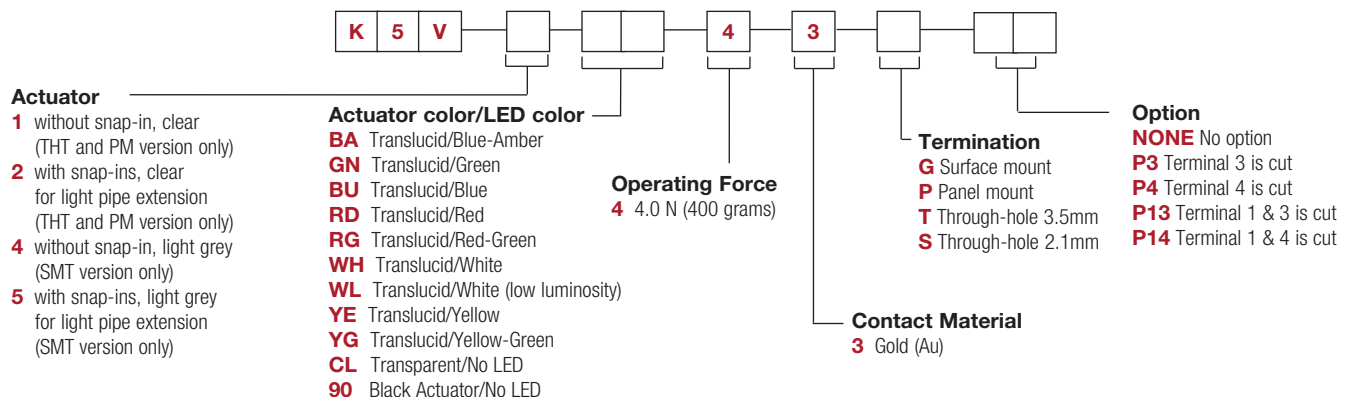
SMT  
 Soldering: Compatible with the lead free soldering profile  
 No washing  
 THT  
 Soldering: Compatible with the lead free soldering profile  
 No washing  
 PM  
 Soldering: Low wattage soldering iron (25-50 watts max).  
 Solder time 3 seconds max. No washing

## Materials

LEAD FREE  
 CONTACTS: Au over Ni  
 SOLDERING: Au over Ni  
 HOUSING: Thermoplastic UL94 V0

## How To Order

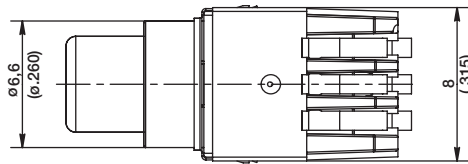
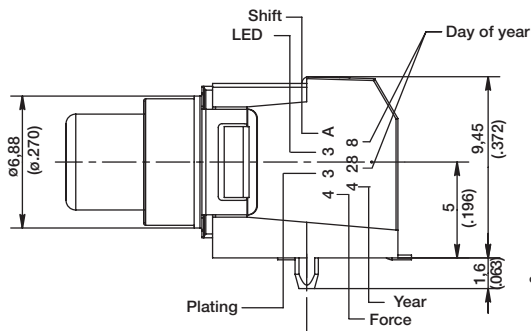
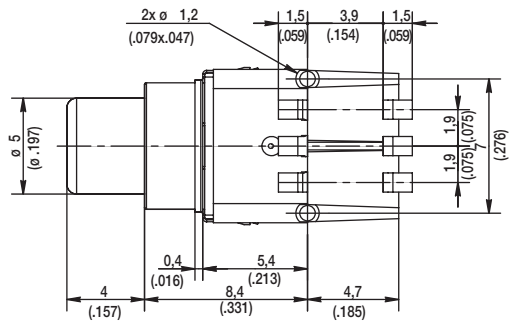
Our easy build-a-switch concept allows you to mix and match options to create the switch you need. To order, select desired option from each category and and place it in the appropriate box.



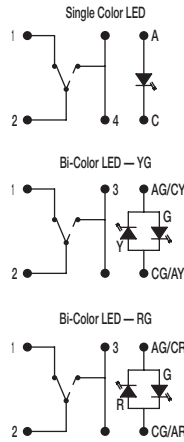
Dimensions are shown: mm  
 Specifications and dimensions subject to change

# K5V Illuminated Tact Switch

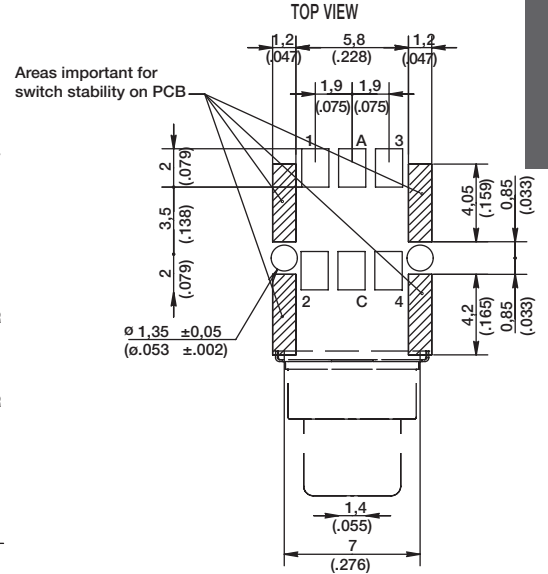
## K5V SMT



## ELECTRICAL DIAGRAM

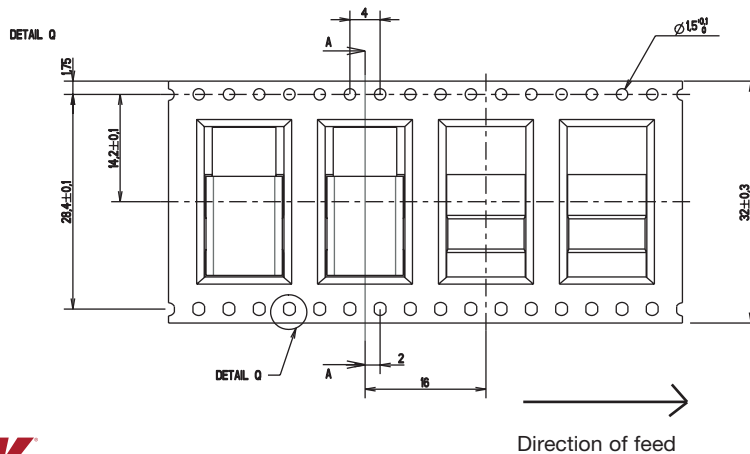
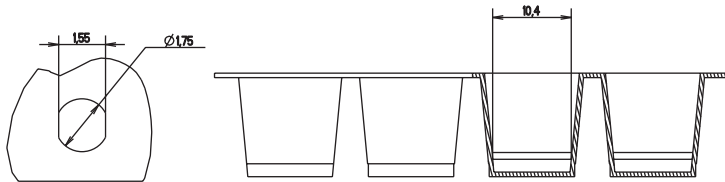


## RECOMMENDED PCB LAYOUT ( WITH HOLES )

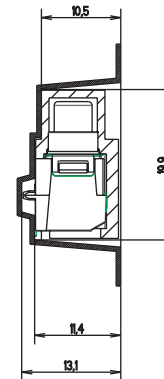


Tactile Switches

## TAPE & REEL



COUPE A-A



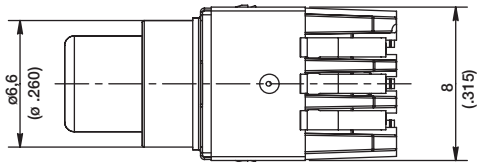
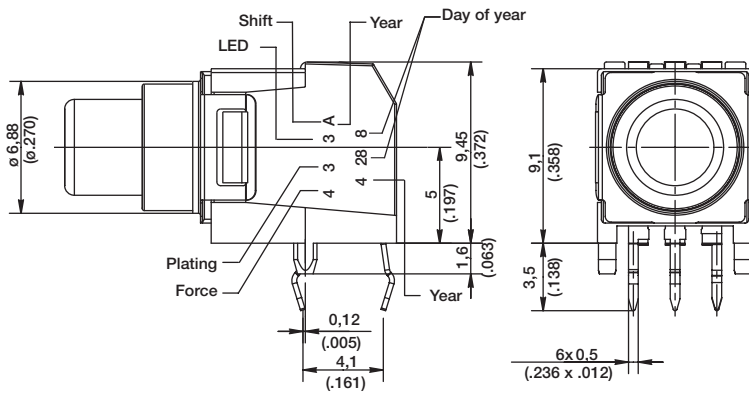
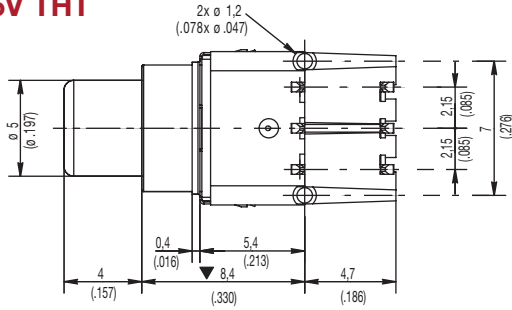
First Angle Projection

Dimensions are shown: mm  
Specifications and dimensions subject to change

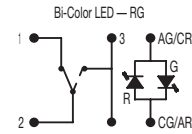
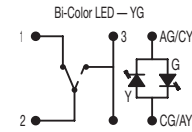
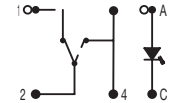
# K5V Illuminated Tact Switch

Tactile Switches **B**

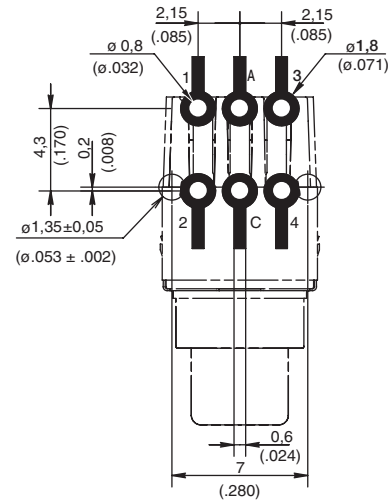
## K5V THT



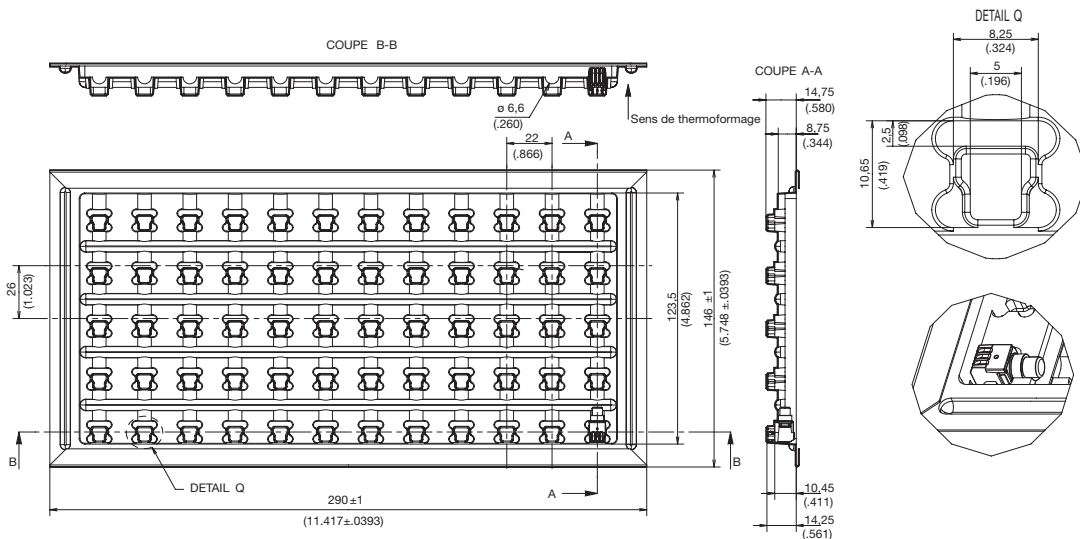
## ELECTRICAL DIAGRAM



## RECOMMENDED PCB LAYOUT (WITH HOLES) TOP VIEW



## TRAY

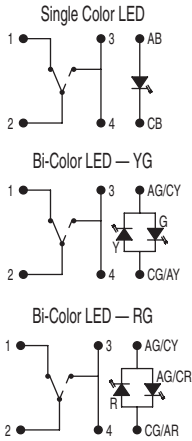


# K5V Illuminated Tact Switch

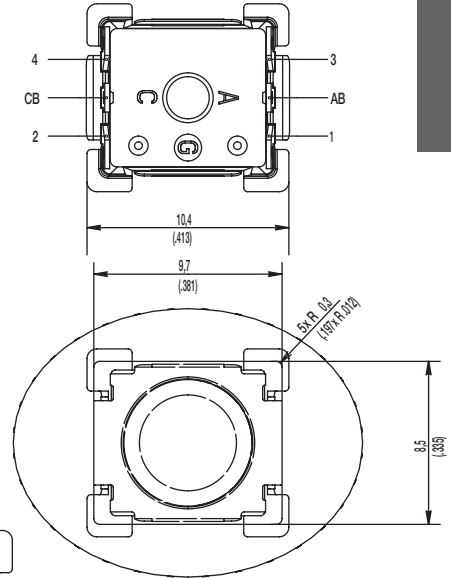
Tactile Switches

## K5V PM

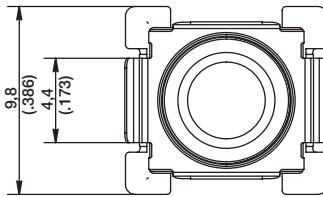
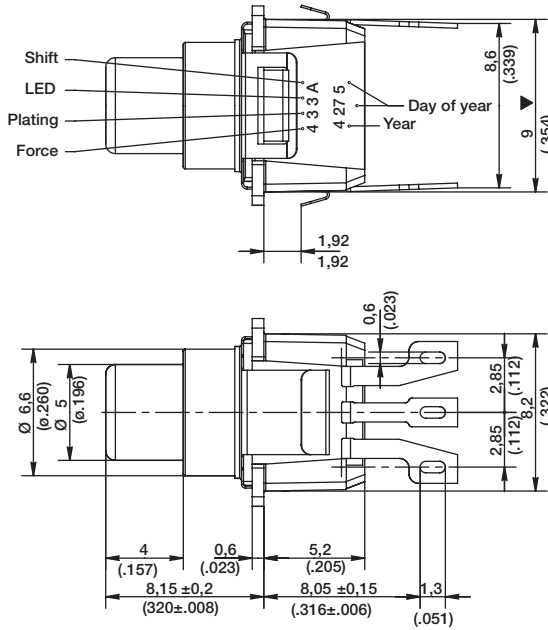
### ELECTRICAL DIAGRAM



### TERMINAL REFERENCES

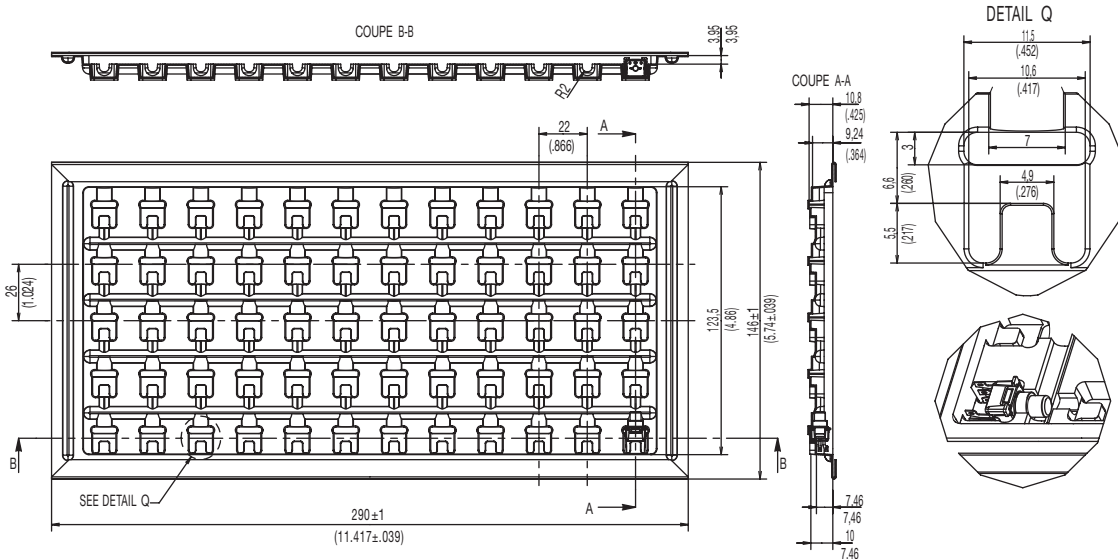


### PRODUCT IDENTIFICATION AND DATE CODES



## TRAY

SUITABLE FOR PANEL THICKNESS OF 1.8MM MAX



Dimensions are shown: mm  
Specifications and dimensions subject to change

# Mouser Electronics

Authorized Distributor

Click to View Pricing, Inventory, Delivery & Lifecycle Information:

## C&K Switches:

[K5V1BU43P](#) [K5V1BU43G](#) [K5V1BU43T](#) [K5V1WH43G](#) [K5V1YG43G](#) [K5V1GN43G](#) [K5V1YG43T](#) [K5V1GN43T](#)  
[K5V1RD43T](#) [K5V1YG43P](#) [K5V2CL43T](#) [K5V4GN43G](#) [K5V4WH43G](#) [K5V4YG43G](#) [K5V4BU43G](#) [K5V1WS43T](#)  
[K5V2WX43T](#) [K5V1BU43S](#) [K5V1BA43TP3S](#)