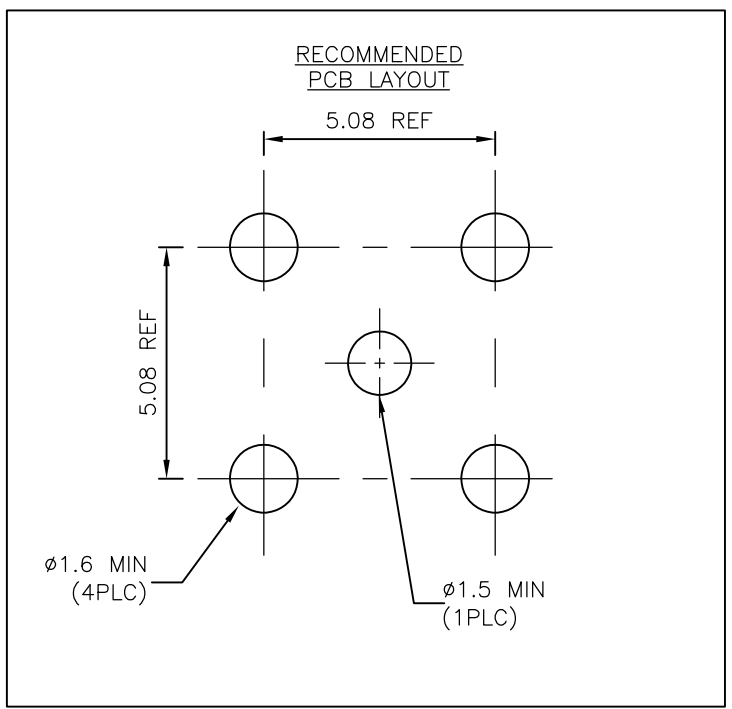
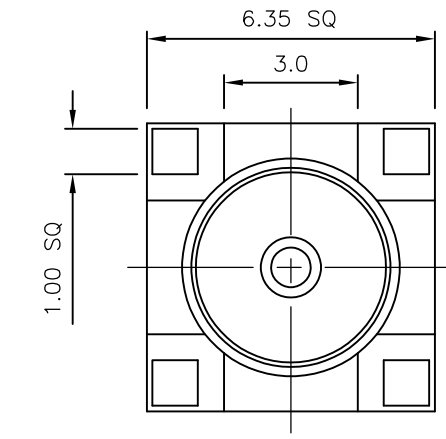
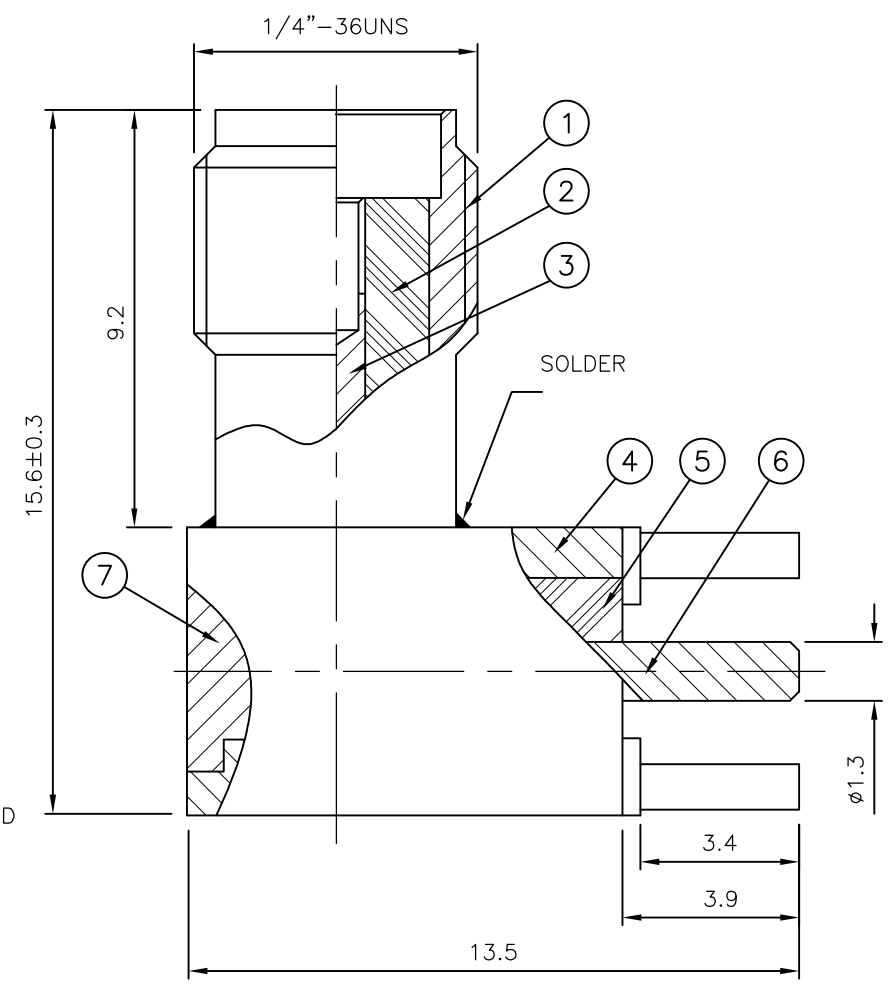


THIS DRAWING IS UNPUBLISHED. RELEASED FOR PUBLICATION DEC ,2003.
 © COPYRIGHT 2003 By - ALL RIGHTS RESERVED.

LOC	DIST	REVISIONS					
E	B	P	LTR	DESCRIPTION	DATE	DWN	APVD
		D		REVISED PER ECO-15-002305	12FEB2015	RZ	MC

- NOTES:**
1. SINGLE PACK IN ACCORDANCE WITH SPEC 107-3275
 2. 30 TRAY PACK IN ACCORDANCE WITH SPEC 107-3275
 3. 0.08µm GOLD PLATING
 4. 0.76µm GOLD PLATING
 5. ELECTRICAL CHARACTERISTICS
 FREQUENCY RANGE:
 STAINLESS STEEL: DC-12.4GHz
 BRASS: DC-6GHz
 NOMINAL IMPEDANCE: 50 OHMS
 INSULATION RESISTANCE: 5000 MOHMS
 WORKING VOLTAGE: 500 VOLTS MAX.
 DIELECTRIC WITHSTAND VOLTAGE: 1000 VOLTS MAX.
 VSWR: 1.23 MAX.
 RETURN LOSS: DC..6GHz<=-19.73dB
 INSERTION LOSS: 0.1 dB MAX. @3 GHz
 CONTACT RESISTANCE: 3 mOHMS
 CENTRE CONTACT: 2 mOHMS
 OUTER CONTACT:
 6. MECHANICAL CHARACTERISTICS
 DURABILITY: 500 CYCLES
 TORQUE SETTING 0.15-0.20 NM
 7. ENVIRONMENTAL
 OPERATING TEMPERATURE: -65~+165°
 8. FOR TECHNICAL DATA REFER TO YOUR LOCAL TE CONNECTIVITY SALES OFFICE
 9. ALL DIMENSIONS ARE NOMINAL FOR REFERENCE ONLY UNLESS OTHERWISE STATED



QTY	QTY	QTY	QTY	MATERIAL	DESCRIPTION	ITEM
1	1	-	-	BRASS	ACCESS CAP	7
-	-	1	1	STAINLESS STEEL	ACCESS CAP	7
-	1	1	1	BRASS	PIN	6
1	-	-	-	BRASS	PIN	6
1	1	1	1	PTFE	INSULATOR	5
1	1	-	-	BRASS	BODY	4
-	-	1	1	STAINLESS STEEL	BODY	4
-	1	1	1	BERYLLIUM COPPER	SOCKET	3
1	-	-	-	PHOSPHOR BRONZE	SOCKET	3
1	1	1	1	PTFE	INSULATOR	2
1	1	-	-	BRASS	BODY	1
-	-	1	1	STAINLESS STEEL	BODY	1
3--1	3--0	1--1	1--0	MATERIAL	DESCRIPTION	ITEM
△	△	△	△			

THIS DRAWING IS A CONTROLLED DOCUMENT.

DWN J.SANDWELL 09DEC03
 CHK S.PARLOW 09DEC03
 APVD F.WHEELER-KING 09DEC03

STE TE Connectivity

NAME: SMA RIGHT ANGLE PCB SOCKET RECEPTACLE

PRODUCT SPEC: -
 APPLICATION SPEC: -
 WEIGHT: -

SIZE: A3 CAGE CODE: 00779 DRAWING NO: C-1478978 RESTRICTED TO: -

MATERIAL: SEE TABLE FINISH: -

CUSTOMER DRAWING SCALE: NTS SHEET: 1 OF 1 REV: D