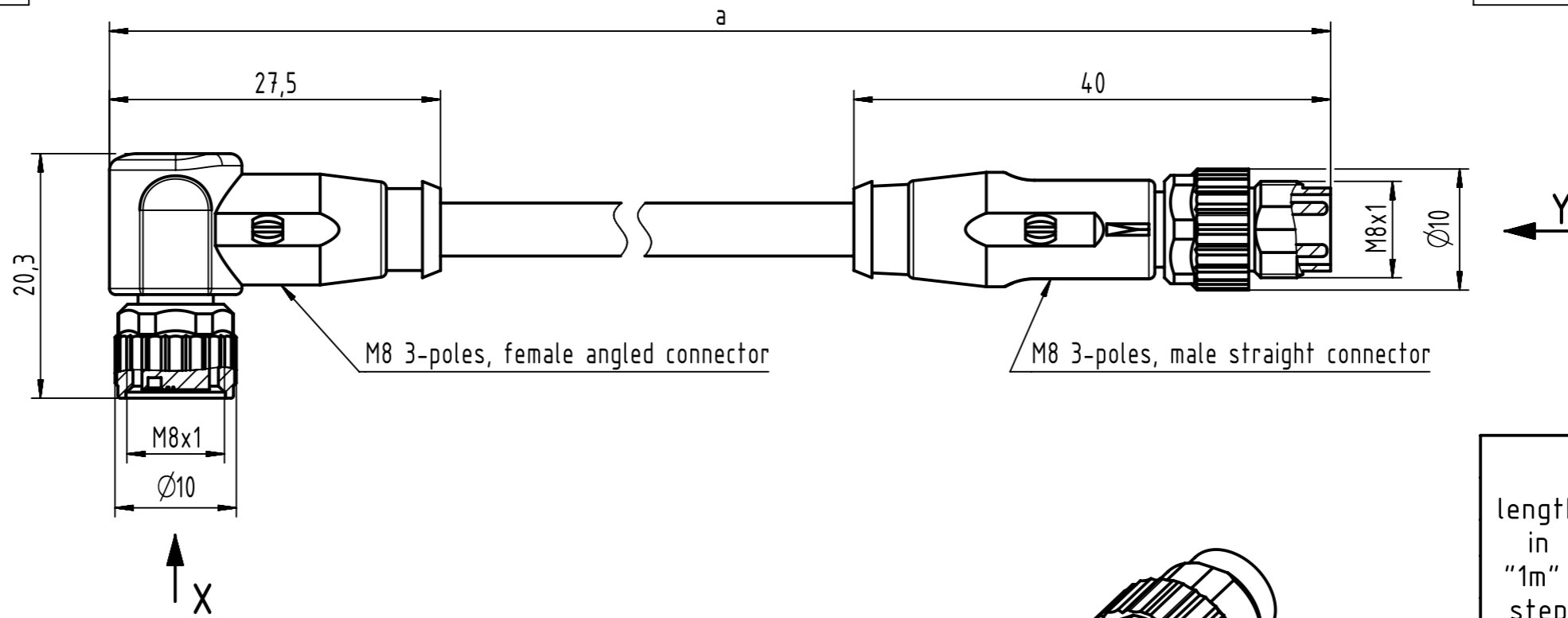


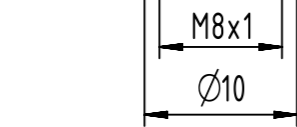
Connector Location A

Connector Location B



M8 3-poles, female angled connector

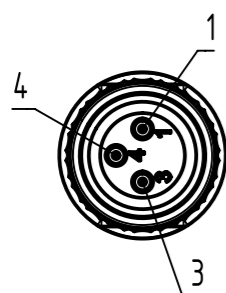
M8 3-poles, male straight connector



X

Y

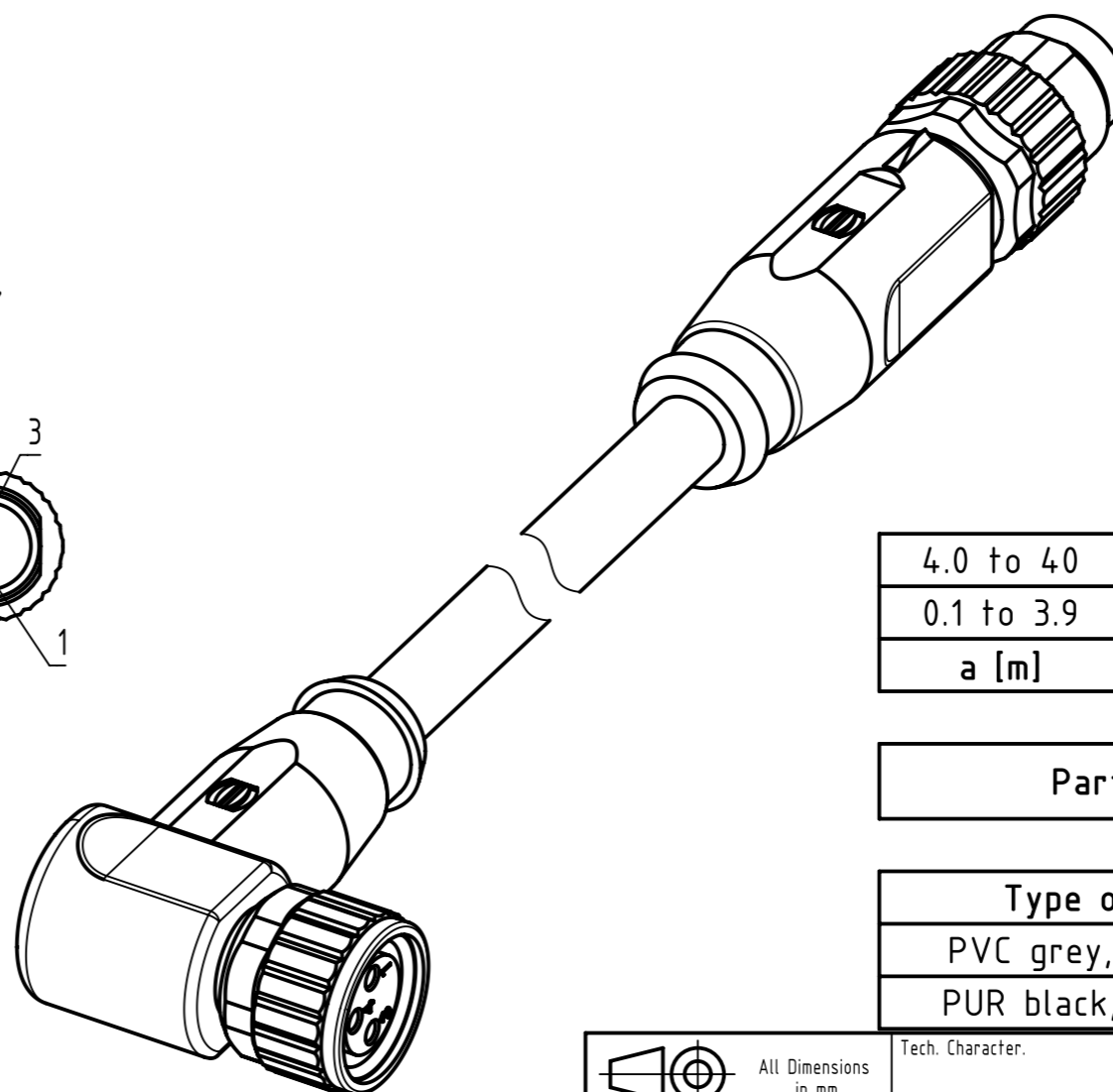
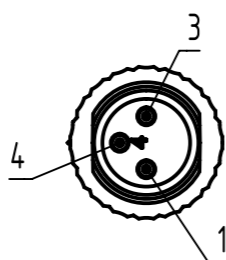
X



Loading-Plan:

- 1 brown 1
- 3 blue 3
- 4 black 4

Y



- Protection level: IP 65/67
- Temperature range: -25°C ... +80°C

length in "1m" step	40	XXX=400
	39	XXX=390

	12	XXX=120
	11	XXX=110
length in "0.1m" step	10	XXX=100
	9.9	XXX=099
	9.8	XXX=098

	0.4	XXX=004
	0.3	XXX=003
	0.2	XXX=002
	0.1	XXX=001
Step	a [m]	XXX

4.0 to 40	+1%
0.1 to 3.9	+0.04
a [m]	Tolerance

Part no.	213480833XXXXX
----------	----------------

Type of cable	XX
PVC grey, 3x0.25mm ²	XX=80
PUR black, 3x0.25mm ²	XX=88

	All rights reserved		Tech. Character.		Free size tol.		According to production drawing	
	Department HCS - RO		Created by MUNTEANV	Inspected by POPESCU	Standardisation AVRAM	Date 2016-10-18	State Final Release	
HARTING Customised Solutions		Title M8 Cable Assembly			Doc-Key / ECM-Nr. 100578025/UGD/009/B 500000110271			Page 1/1
D-32427 Minden		Type TB	Number 213480833XXXXX		Rev. B			

Mouser Electronics

Authorized Distributor

Click to View Pricing, Inventory, Delivery & Lifecycle Information:

HARTING:

[21348083380020](#) [21348083388005](#) [21348083388020](#) [21348083380005](#) [21348083380015](#) [21348083380075](#)
[21348083388050](#) [21348083380100](#) [21348083388010](#) [21348083388015](#) [21348083388075](#) [21348083388100](#)